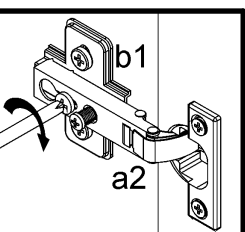
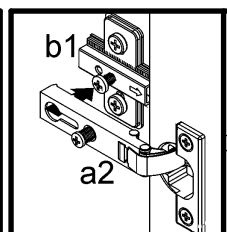
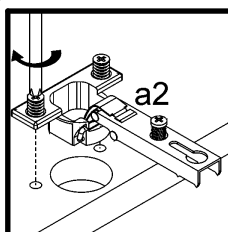
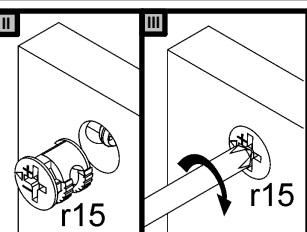
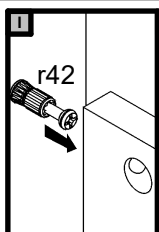
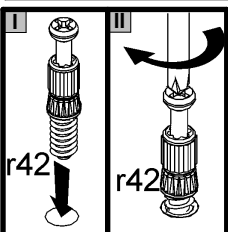
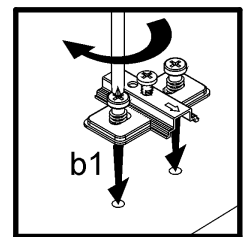
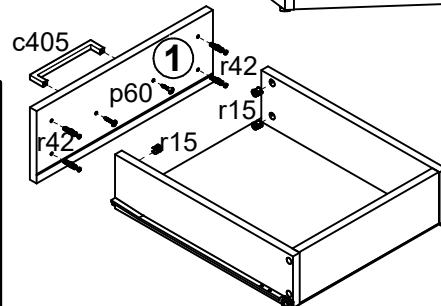
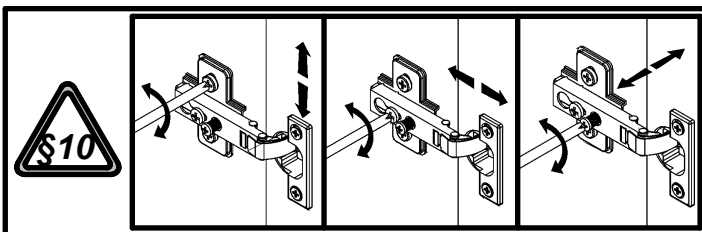
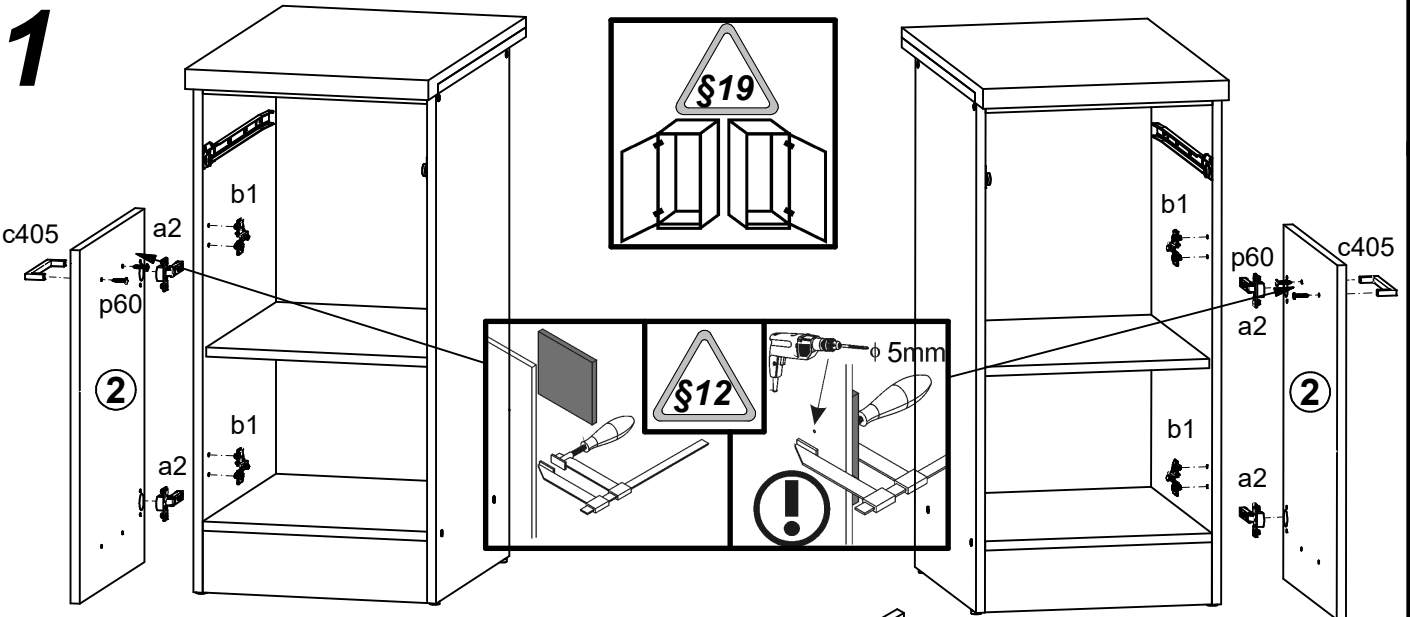
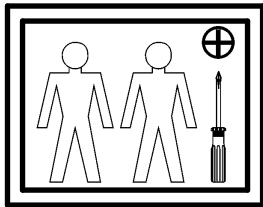
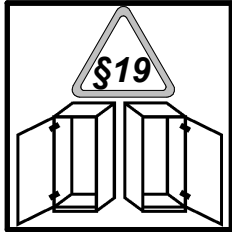
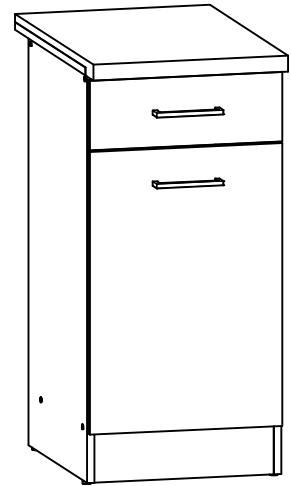
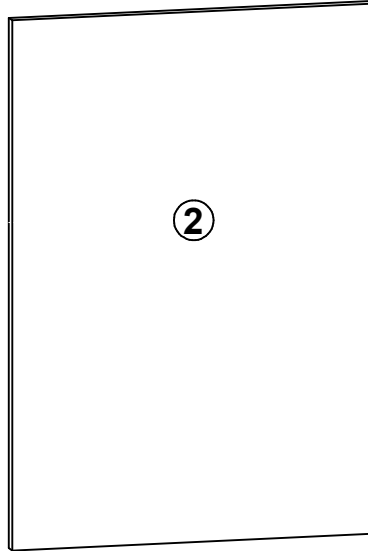
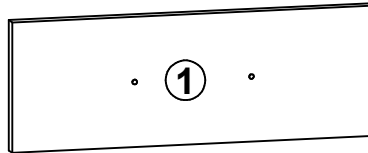


Junona Line

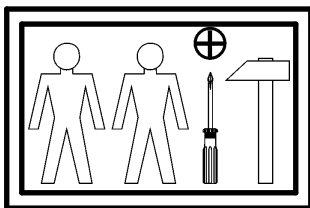
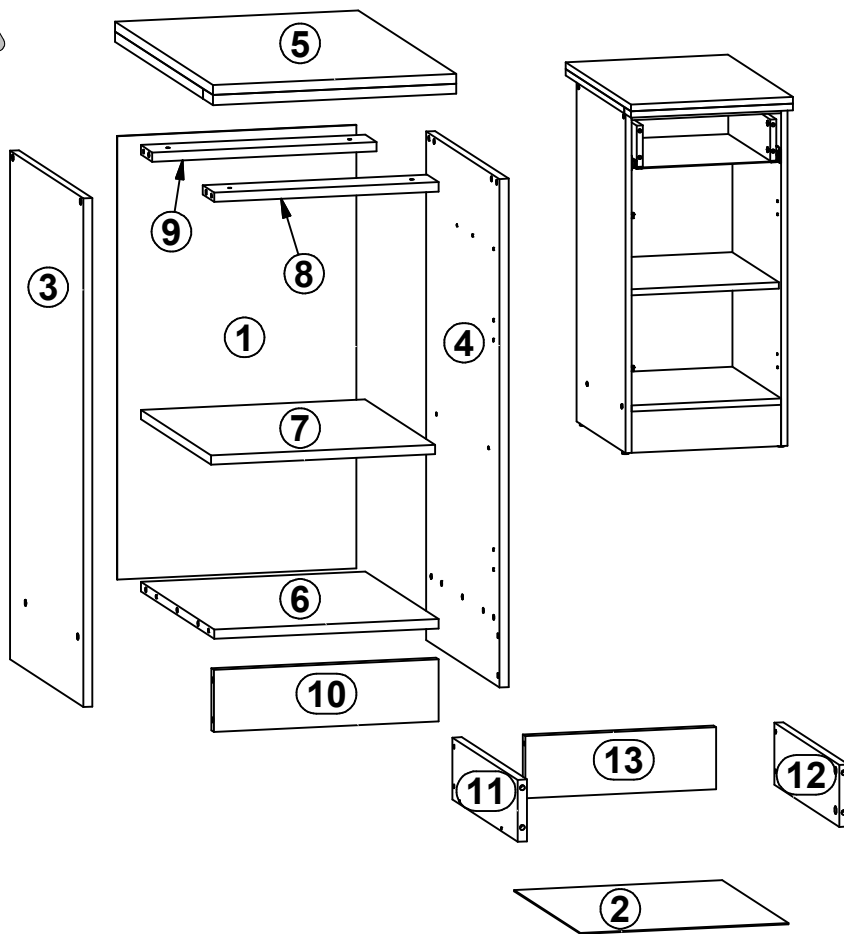
K24-D1D1S/40/82 Moduł A, A+A1, G, G+A1

| A | B | C | D |
|---|-----------|-----|---------|
| 1 | K24-032 | 396 | 140 3/3 |
| 2 | K24-0104_ | 396 | 570 3/3 |
| | A | | |

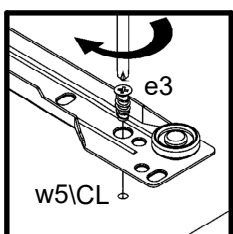
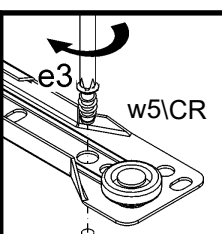
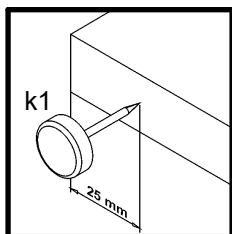
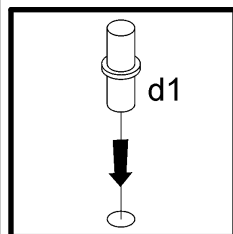
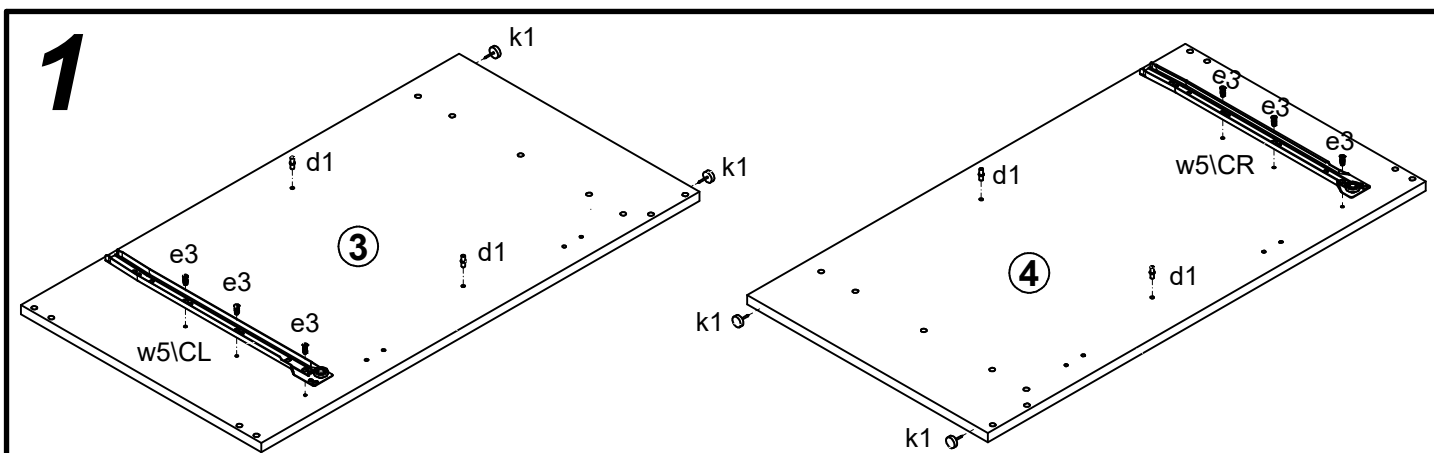


Junona Line K24-D1D1S/40/82 Moduł A,A+A1,G,G+A1

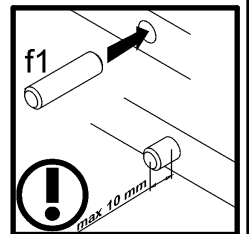
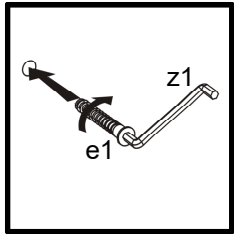
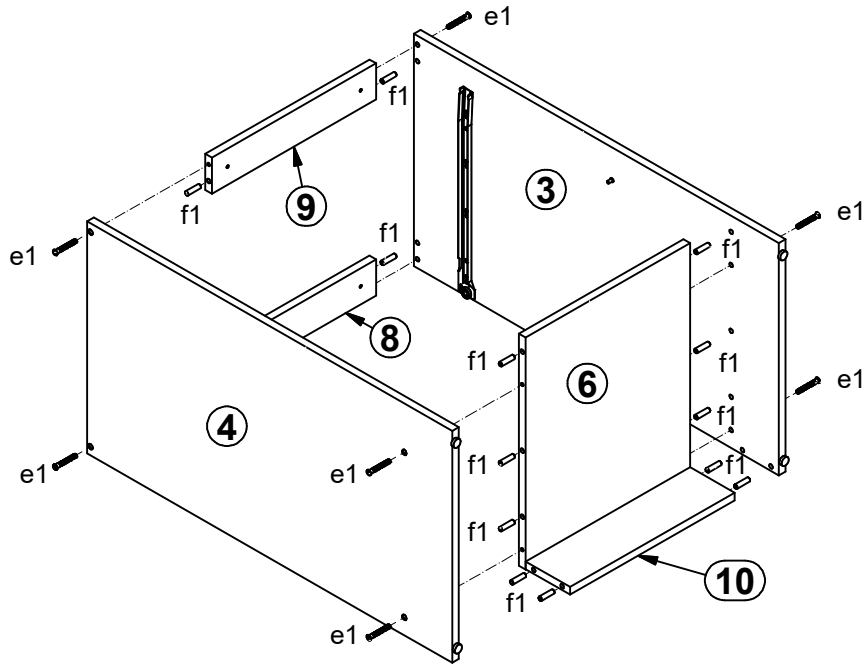
| A | B | C | D | |
|-------------------------------|----------|-----|-----|-----|
| Moduł A, A+A1, G, G+A1 | | | | |
| 1 | K22-906 | 715 | 393 | 1/3 |
| 2 | K22-922 | 406 | 342 | 1/3 |
| 3 | K24-103 | 820 | 450 | 1/3 |
| 4 | K24-104 | 820 | 450 | 1/3 |
| 6 | K24-307 | 369 | 450 | 1/3 |
| 7 | K24-308 | 368 | 430 | 1/3 |
| 8 | K24-411 | 369 | 70 | 2/3 |
| 9 | K24-412 | 369 | 70 | 2/3 |
| 10 | K24-413 | 369 | 100 | 2/3 |
| 11 | K24-501 | 400 | 100 | 2/3 |
| 12 | K24-502 | 400 | 100 | 2/3 |
| 13 | ZS3-5527 | 784 | 140 | 2/3 |
| Moduł A + A1, G + A1 | | | | |
| 5 | K24-203 | 400 | 600 | 1/3 |



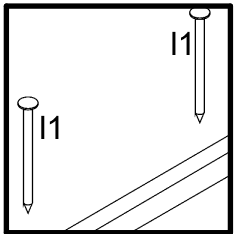
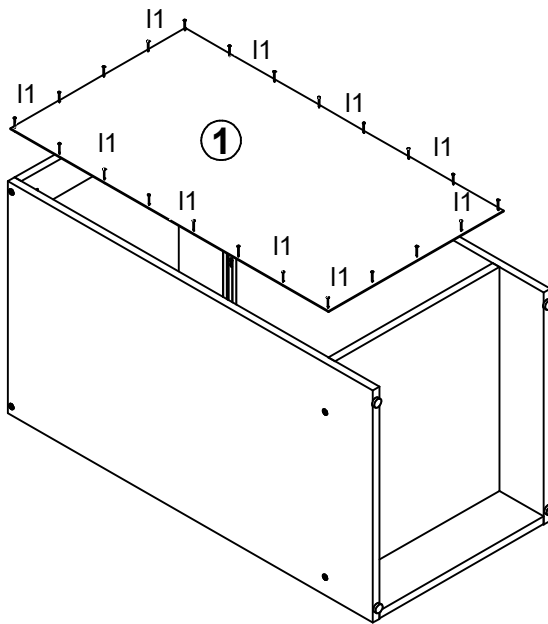
| | | | | | | | | | |
|--------|---------|--------|--------|--------|--------|--------|---------|--------|--|
| 2x | 2x | 2x | 4x | 8x | 4x | 6x | 14x | 4x | |
| 4x | 25x | 4x | 4x | 4x | 4x | 4x | 1x | 1x | |
| 1x | 1x | 4x | 1x | | | | | | |



2

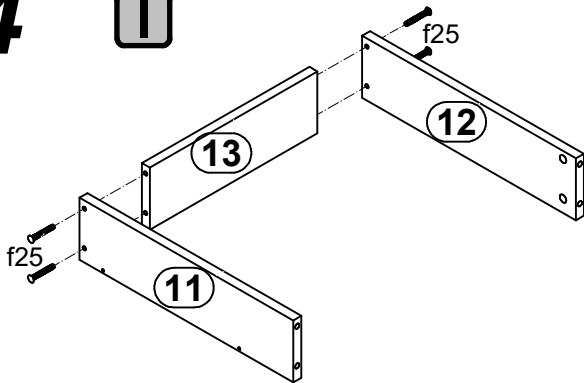


3

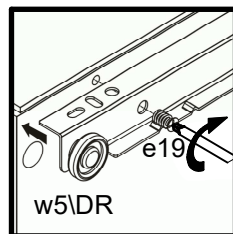
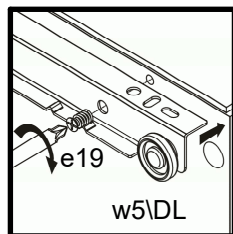
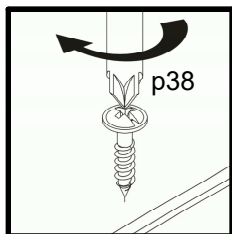
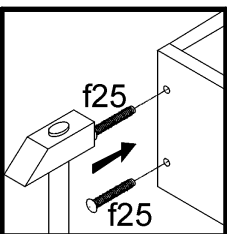
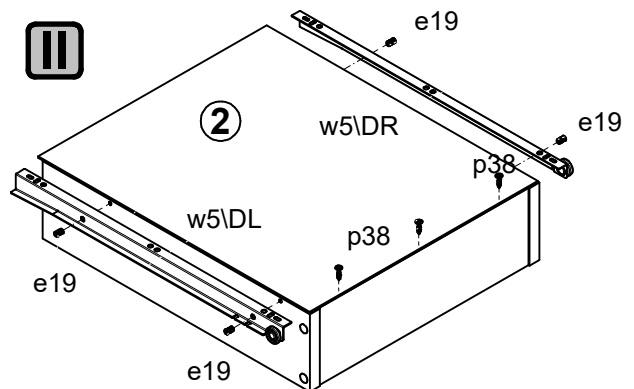


4

I



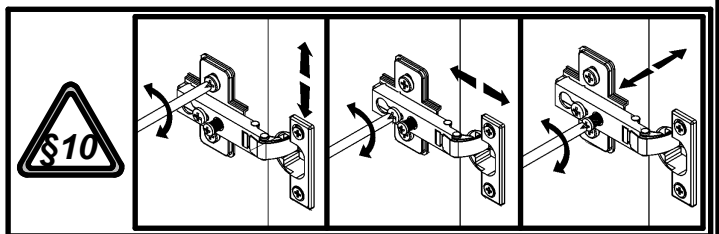
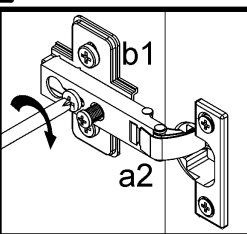
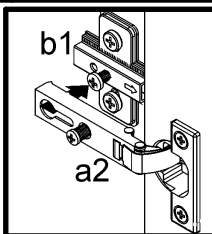
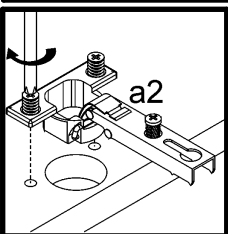
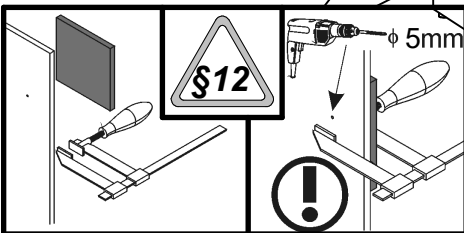
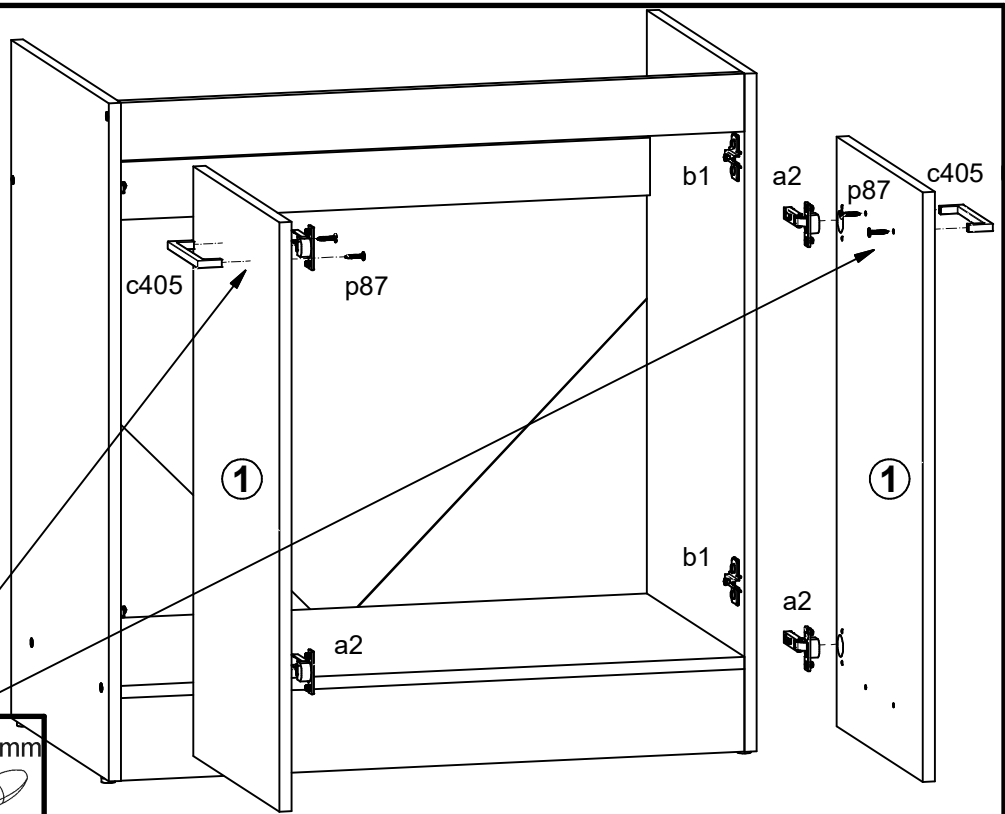
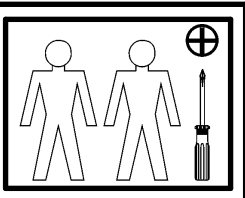
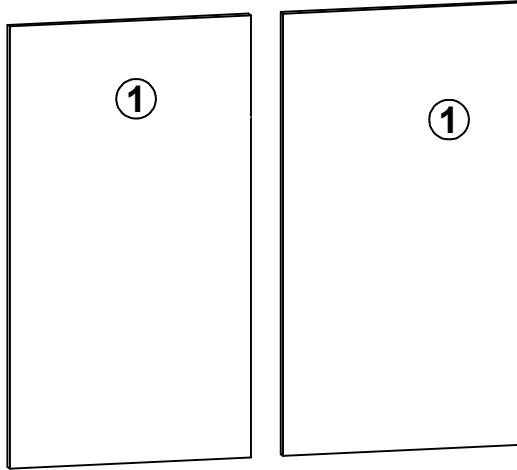
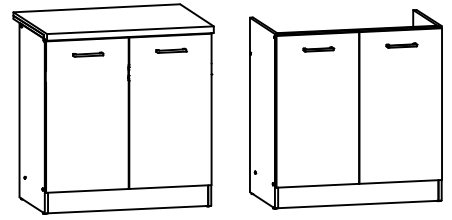
II



Junona Line

K24-DK2D/80/82 K24-D2D/80/82 Moduł A,A+A1,G,G+A1

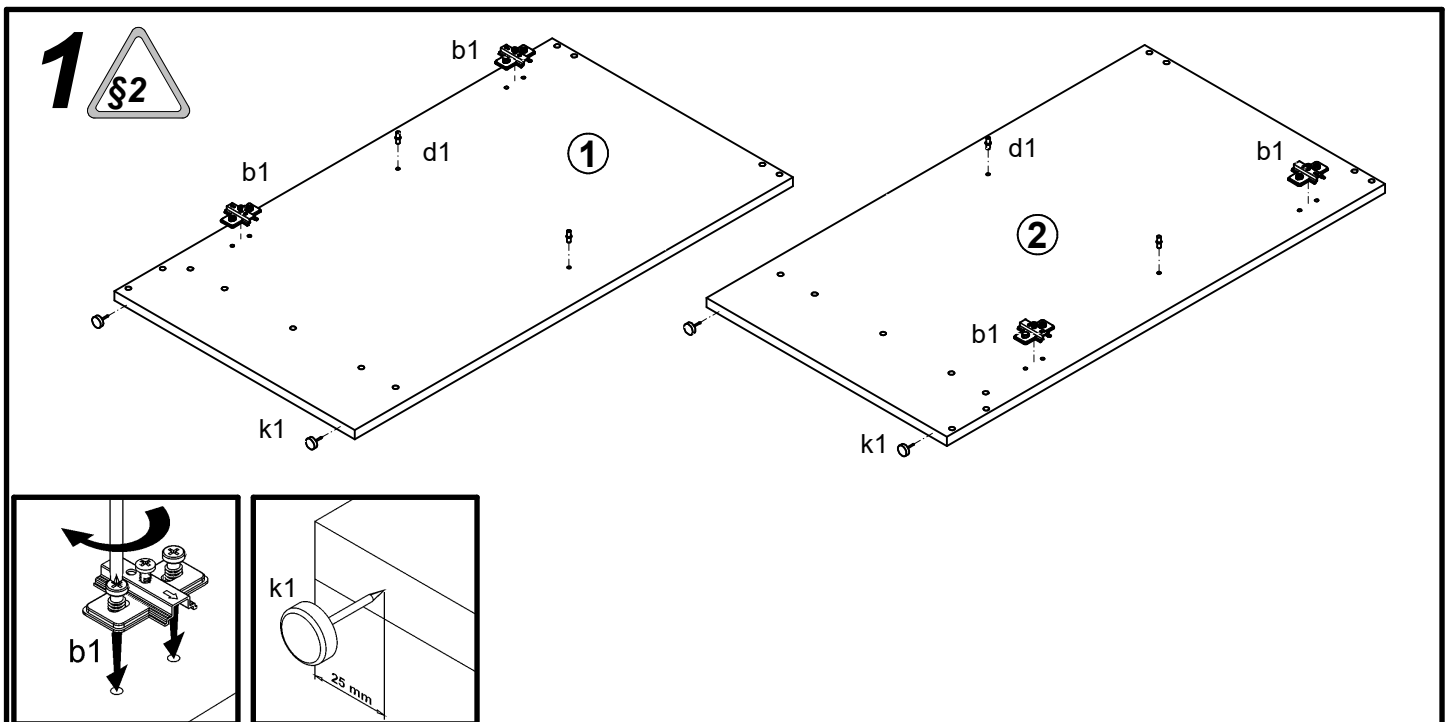
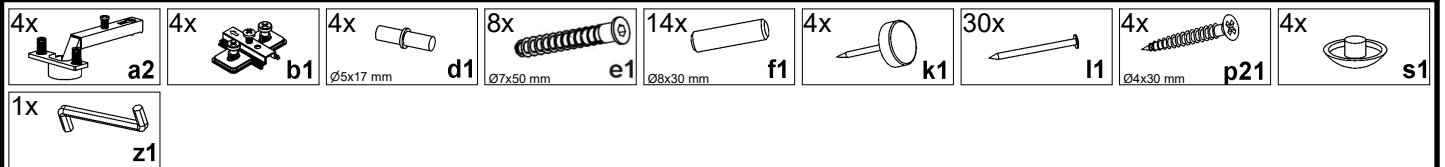
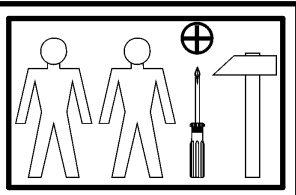
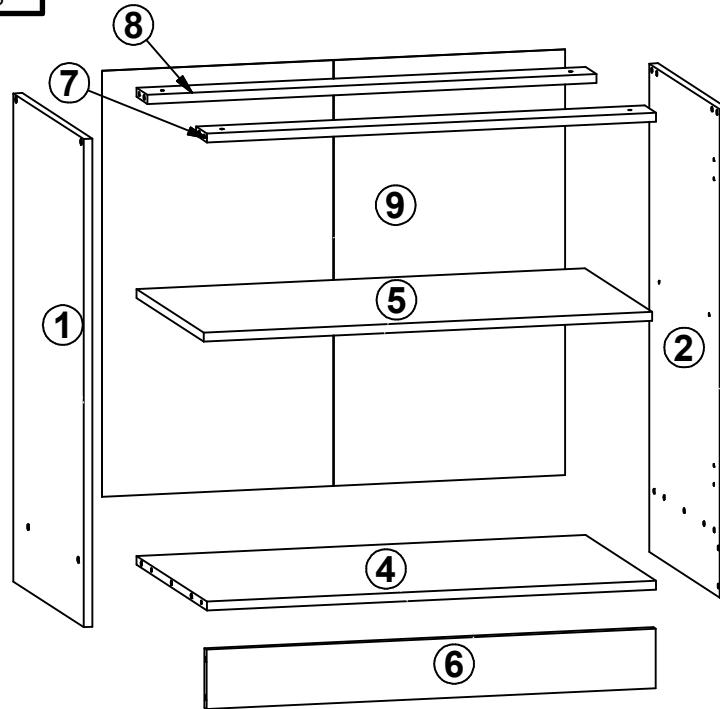
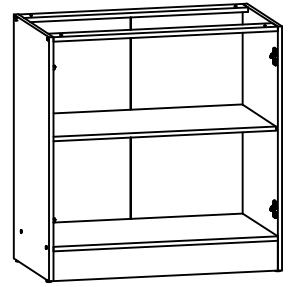
| A | B | C | D |
|---------------------------------|----------------|-----|---------|
| K24-DK2D/80/82 K24-D2D/80/82 | | | |
| 1 | K24-0101_ A | 396 | 713 2/2 |
| Moduł A,A+A1,G,G+A1 | | | |
| 1 | K24-0101_ A | 396 | 713 3/3 |



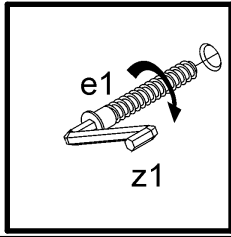
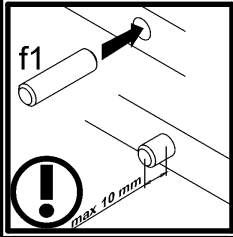
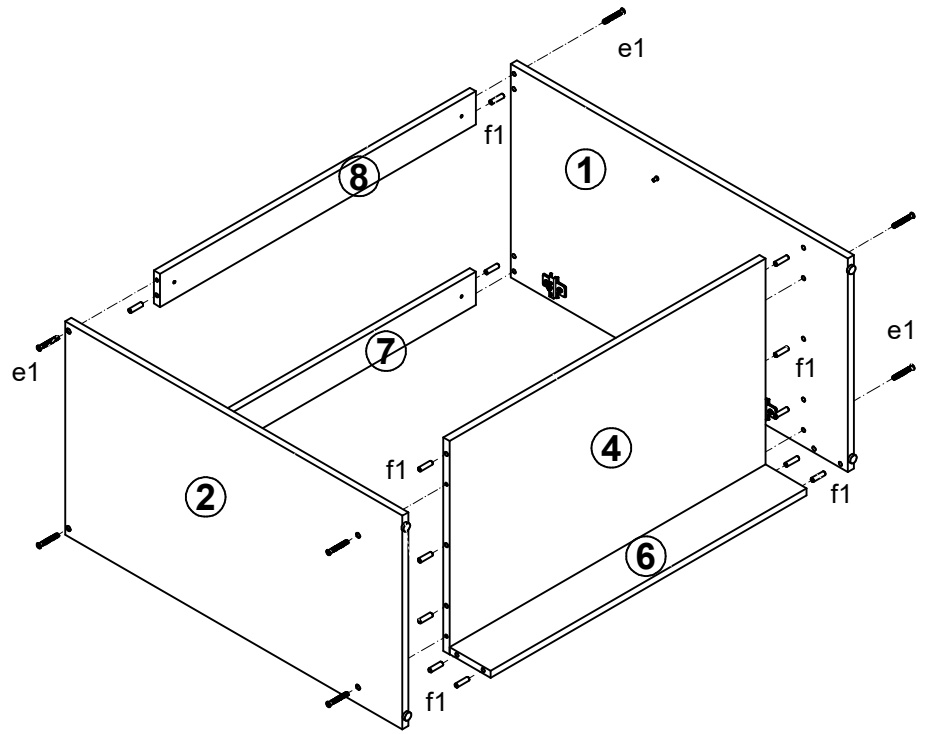
Junona Line

K24-D2D/80/82

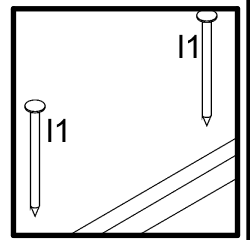
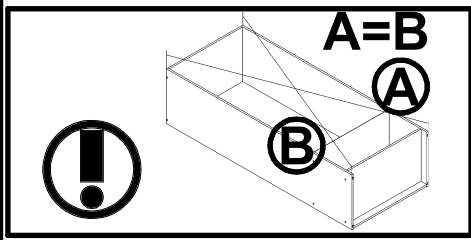
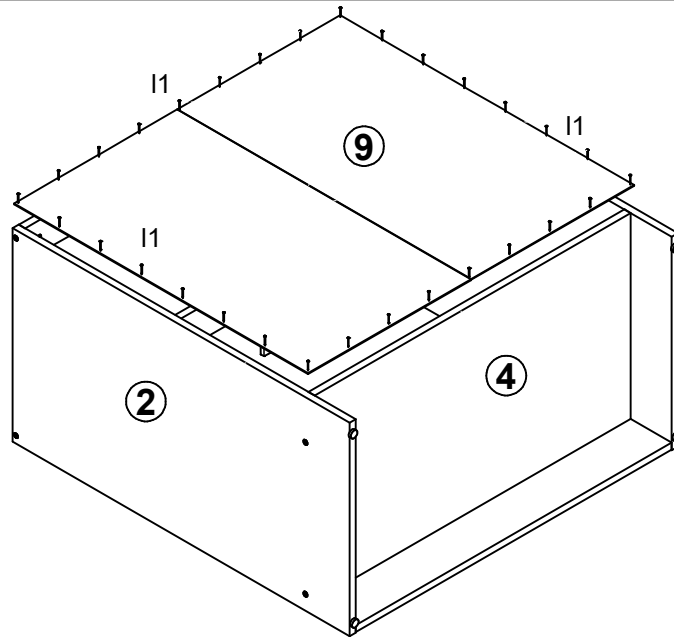
| A | B | C | D |
|---|---------|-----|---------|
| 1 | K24-107 | 820 | 450 1/3 |
| 2 | K24-108 | 820 | 450 1/3 |
| 3 | K24-205 | 800 | 600 2/3 |
| 4 | K24-327 | 769 | 450 1/3 |
| 5 | K24-333 | 768 | 430 1/3 |
| 6 | K24-417 | 769 | 100 1/3 |
| 7 | K24-419 | 769 | 70 1/3 |
| 8 | K24-420 | 769 | 70 1/3 |
| 9 | K22-921 | 715 | 793 1/3 |



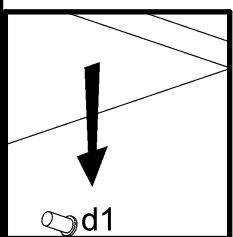
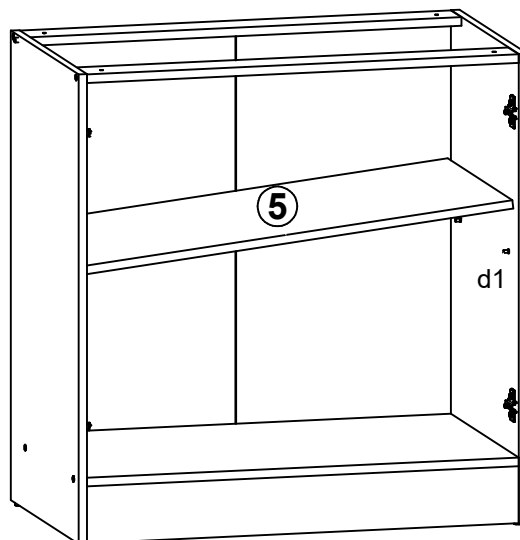
2 



3



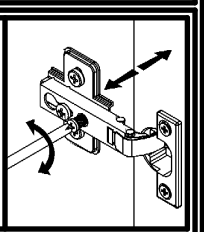
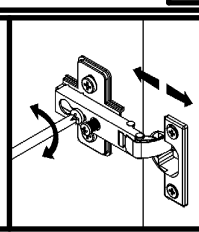
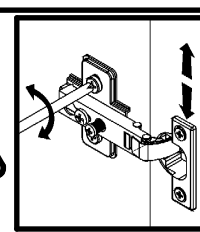
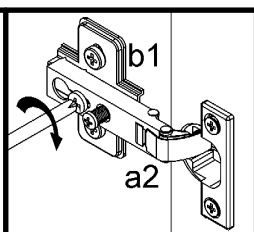
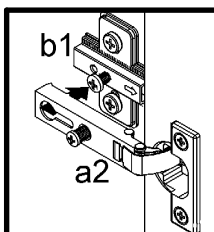
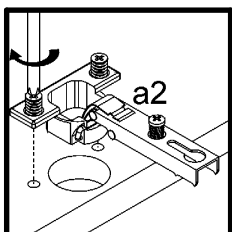
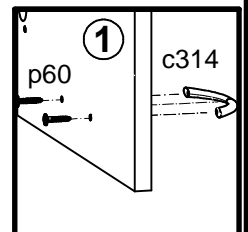
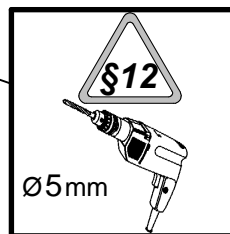
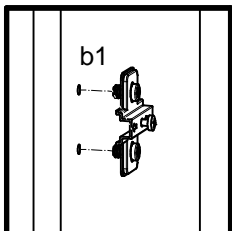
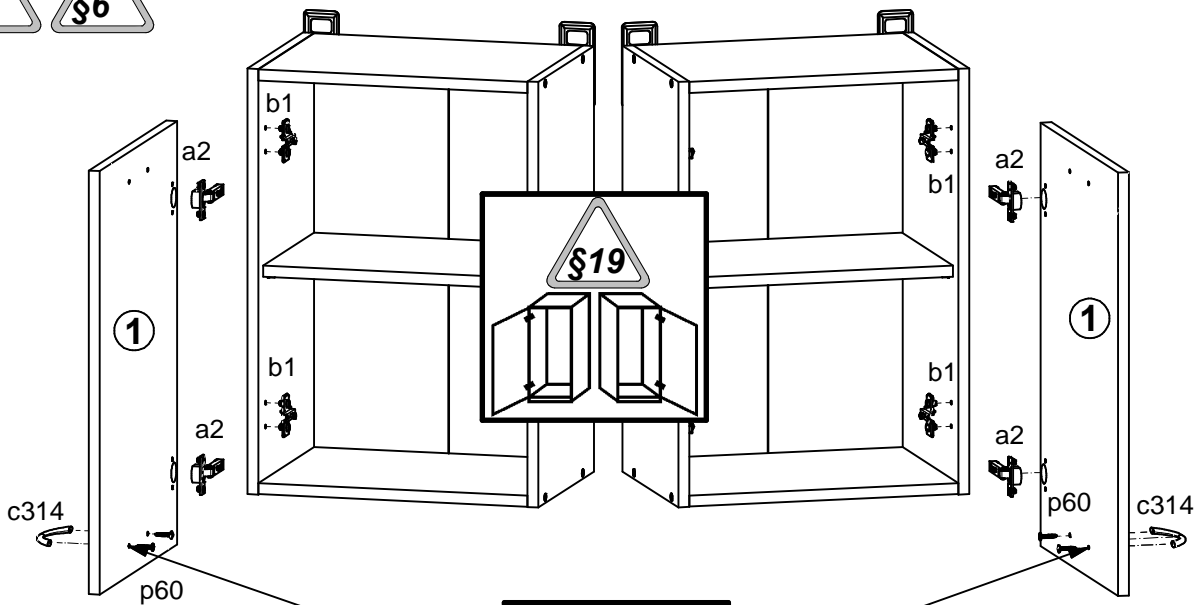
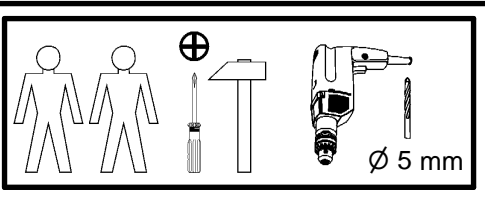
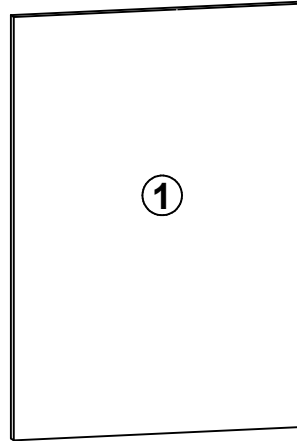
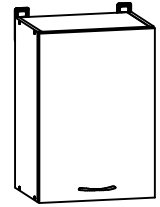
4



Junona Line

K22-G1D/40/57-LP

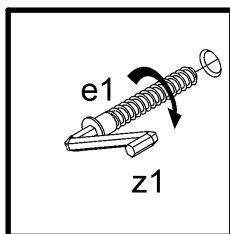
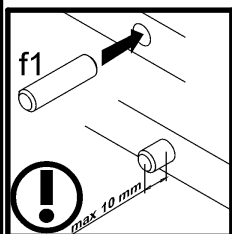
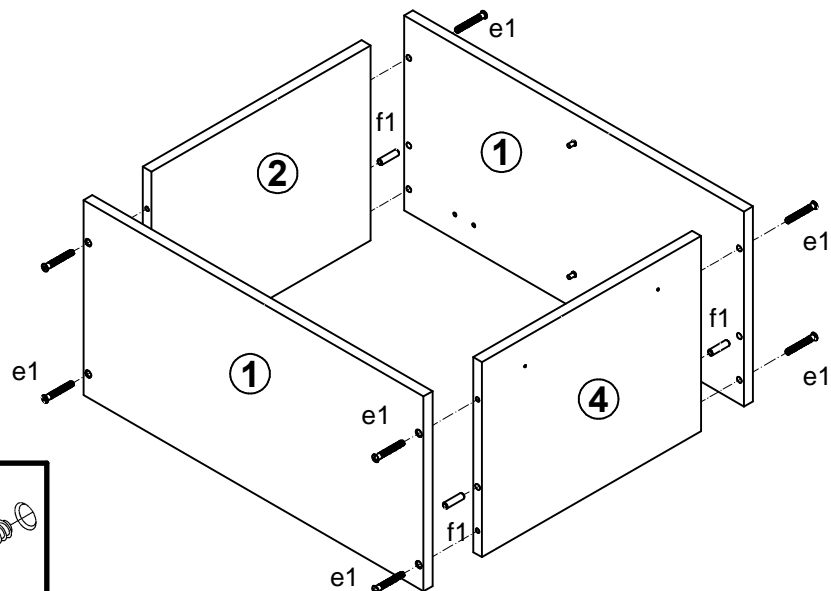
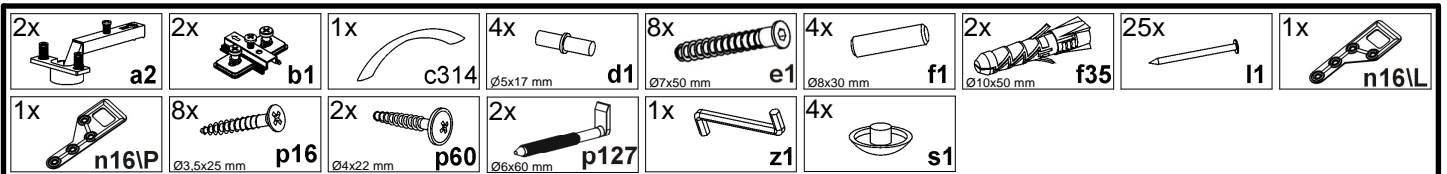
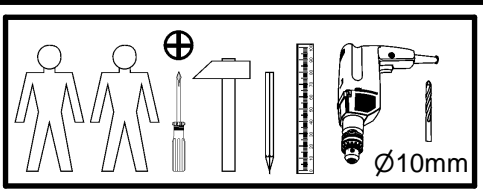
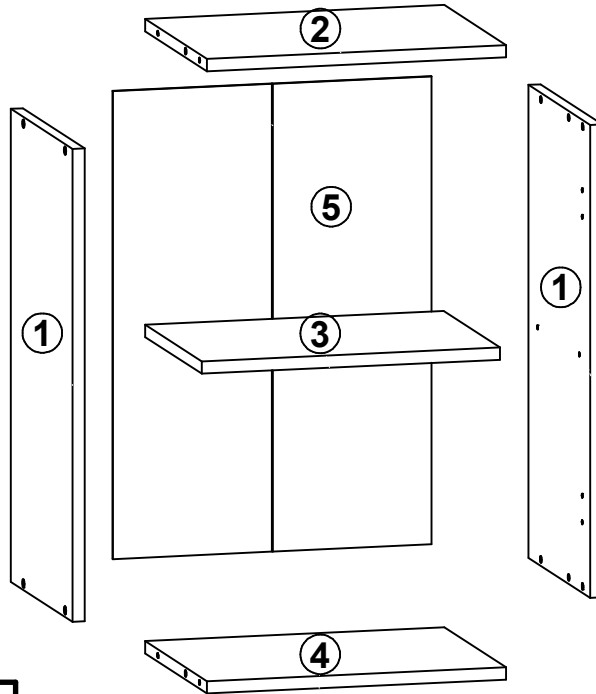
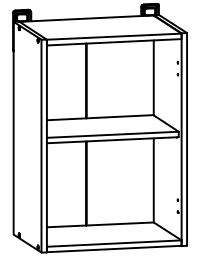
| A | B | C | D |
|---|---------|-----|-----|
| 1 | K22-029 | 396 | 570 |
| | | | 2/2 |



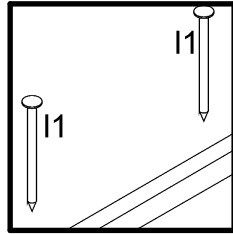
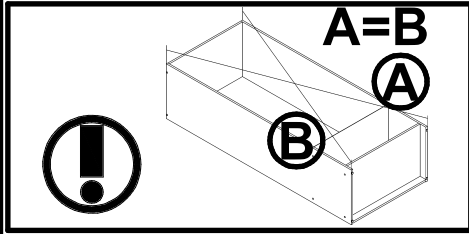
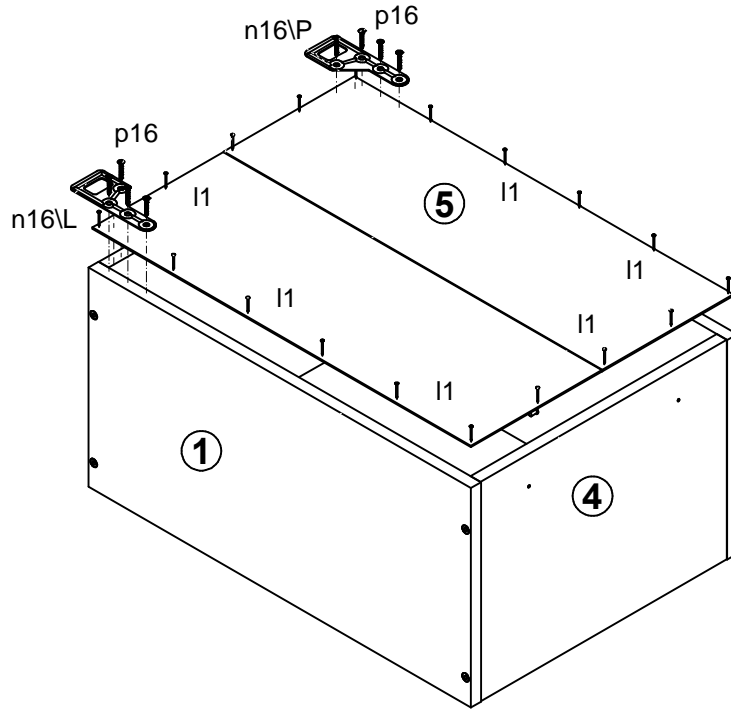
Junona Line

K22-G1D/40/57-LP

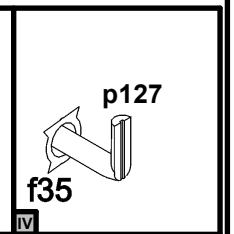
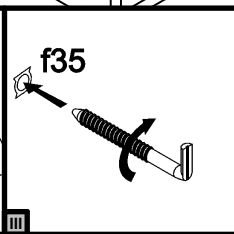
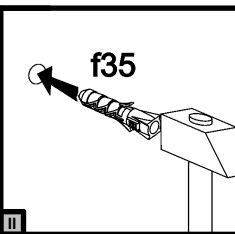
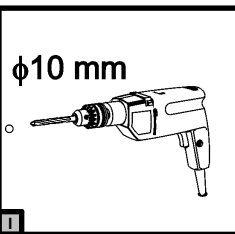
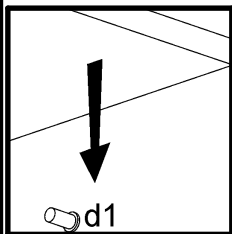
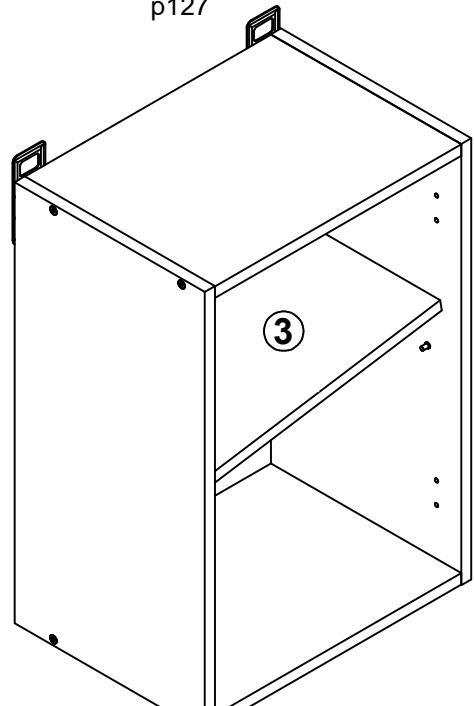
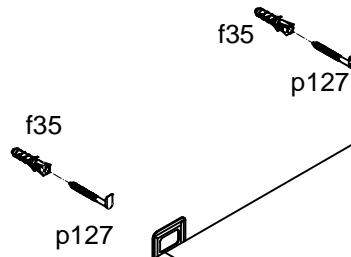
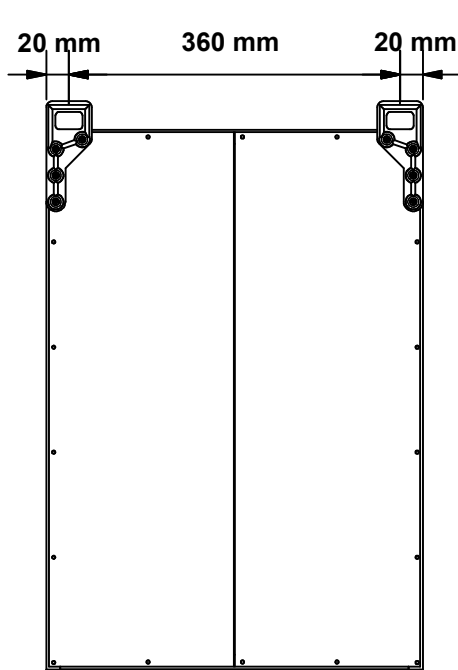
| A | B | C | D |
|---|---------|-----|-----|
| 1 | K22-101 | 573 | 285 |
| 2 | K22-311 | 369 | 285 |
| 3 | K22-312 | 368 | 260 |
| 4 | K22-323 | 369 | 285 |
| 5 | K22-908 | 567 | 393 |



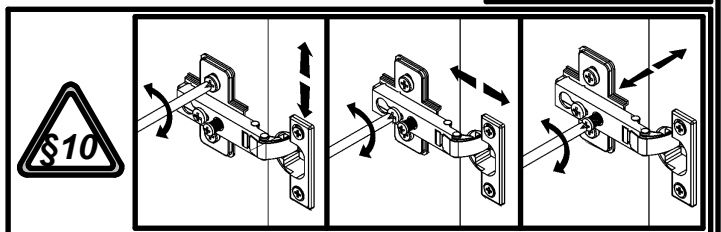
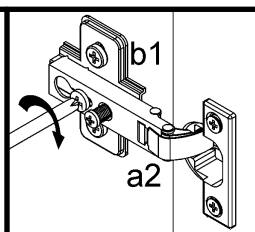
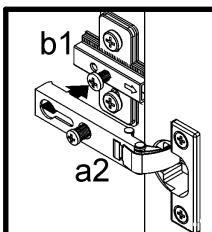
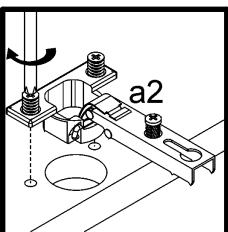
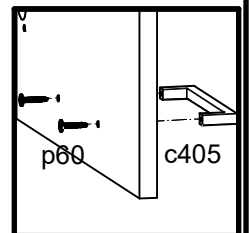
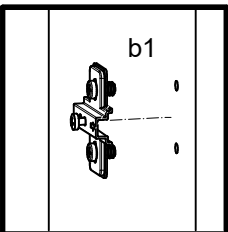
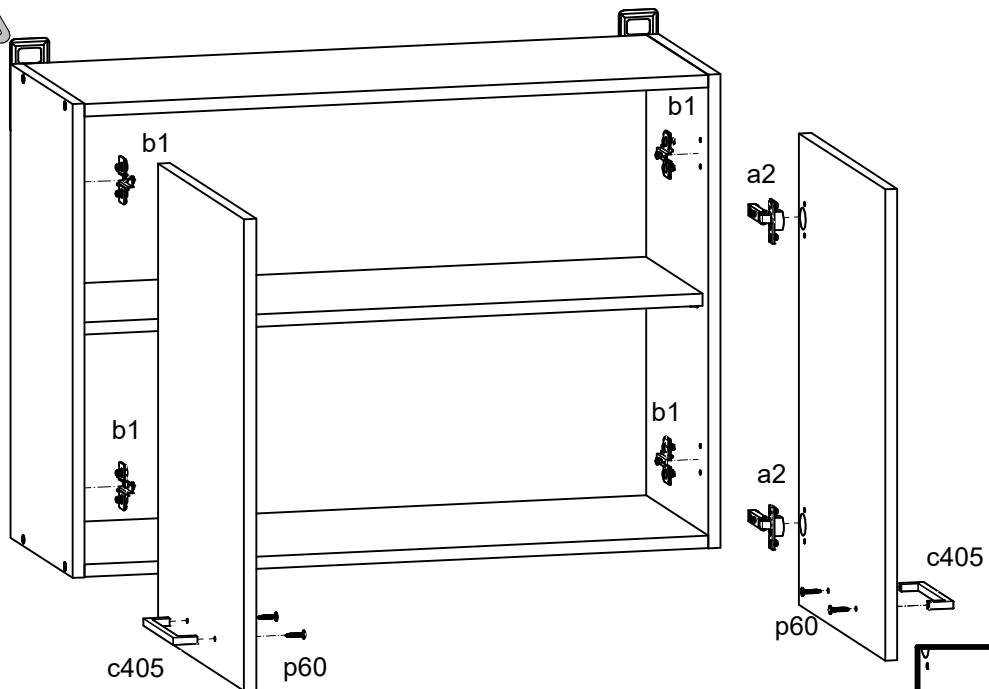
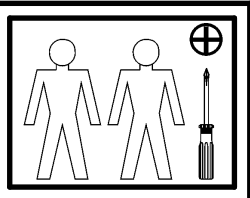
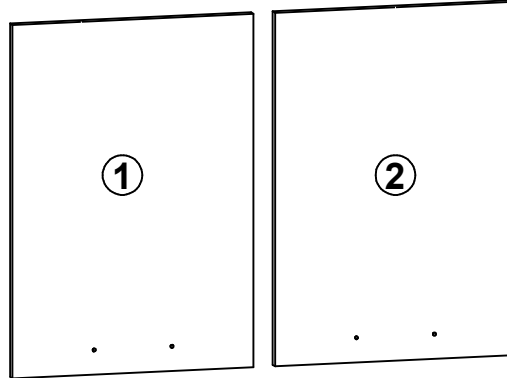
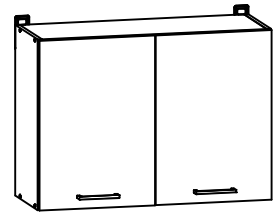
2 §6



3



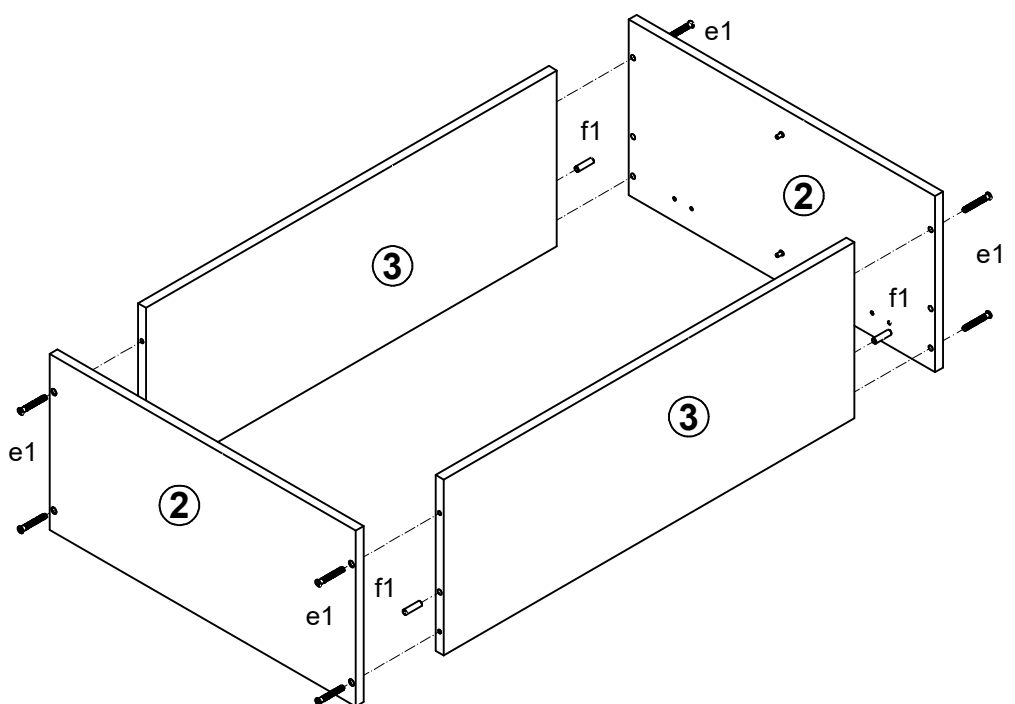
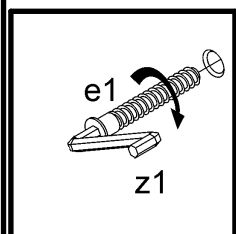
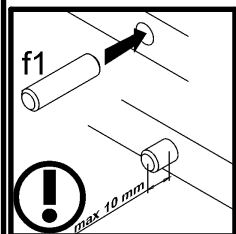
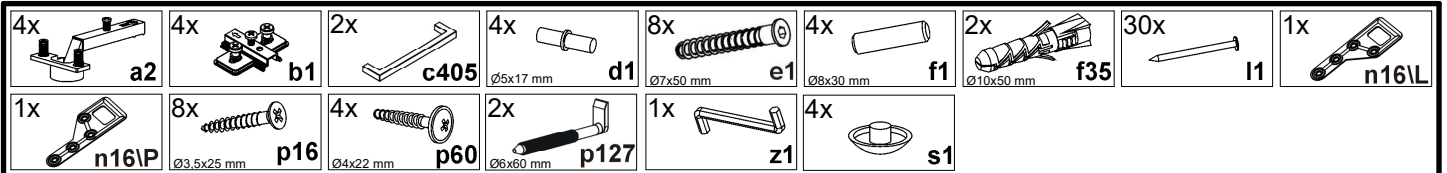
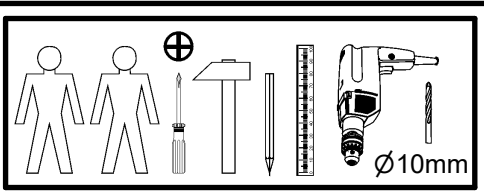
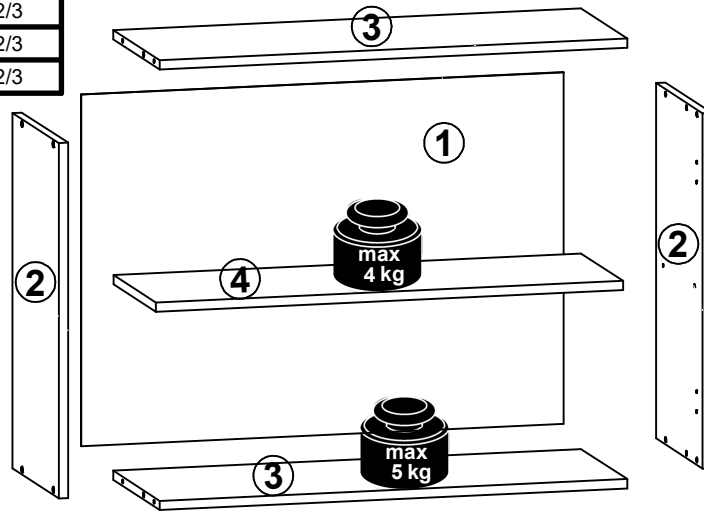
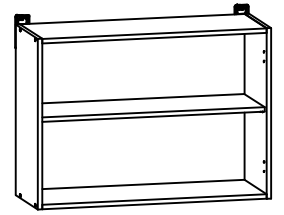
| A | B | C | D |
|------------------|---------|-----|---------|
| K24-G1D/40/57-LP | | | |
| 1 | K24-008 | 396 | 570 2/2 |
| 2 | K24-013 | 396 | 570 2/2 |
| Moduł G,G+A1 | | | |
| 1 | K24-008 | 396 | 570 3/3 |
| 2 | K24-013 | 396 | 570 3/3 |



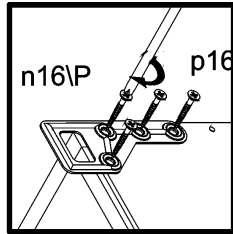
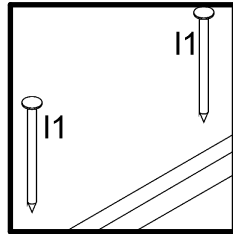
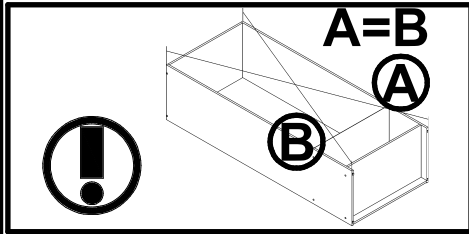
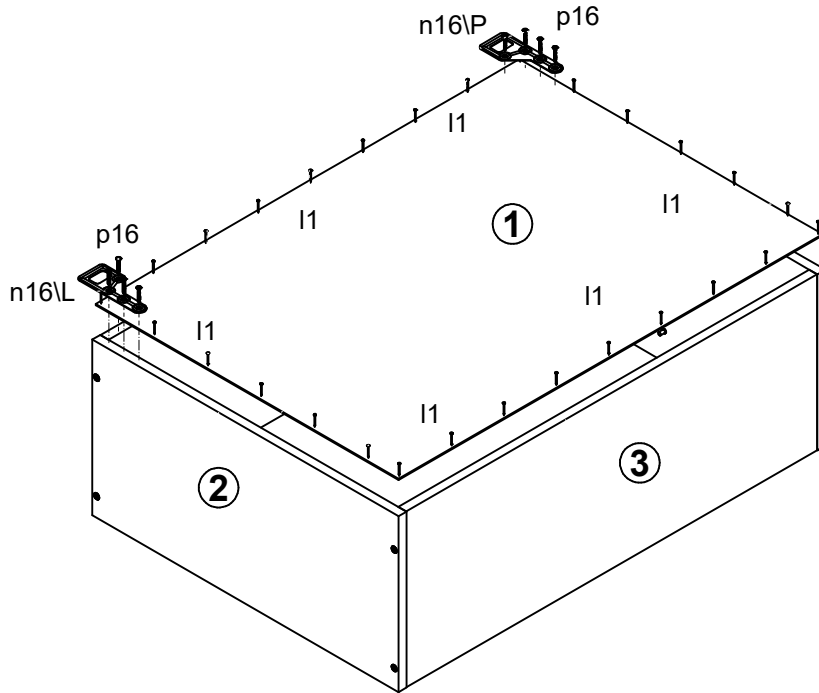
Junona Line

K24-G2D/80/57 Moduł G , G + A1

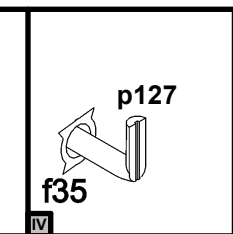
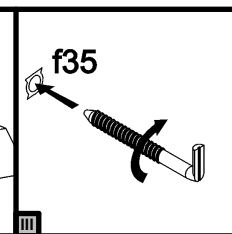
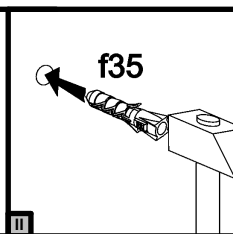
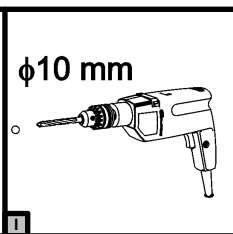
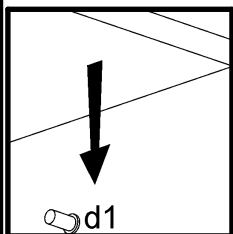
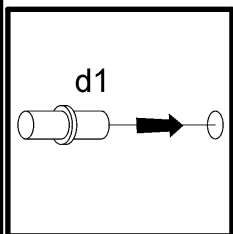
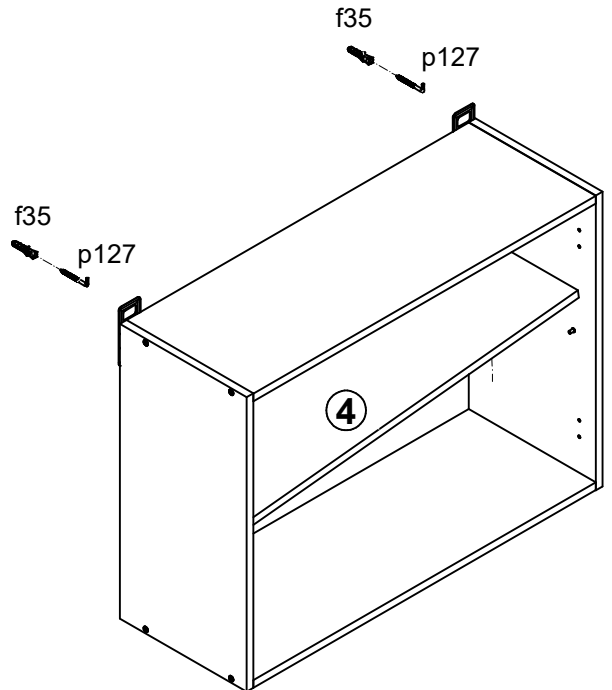
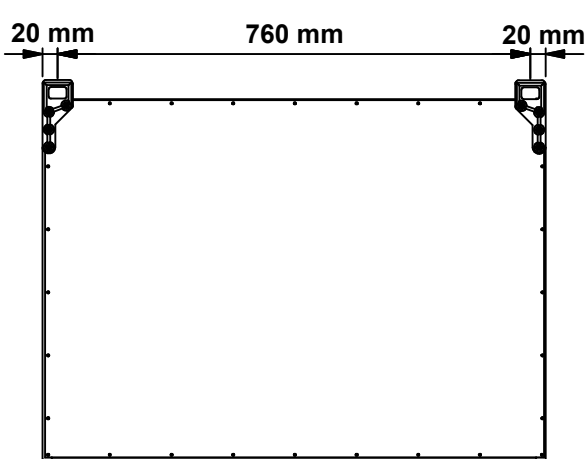
| A | B | C | D |
|-------------------------|---------|-----|-----|
| K24-G2W/80/57 | | | |
| 1 | K22-919 | 567 | 793 |
| 2 | K24-101 | 573 | 285 |
| 3 | K24-328 | 769 | 285 |
| 4 | K24-329 | 768 | 260 |
| Moduł G , G + A1 | | | |
| 1 | K22-919 | 567 | 793 |
| 2 | K24-120 | 573 | 285 |
| 3 | K24-328 | 769 | 285 |
| 4 | K24-329 | 768 | 260 |



2 §6



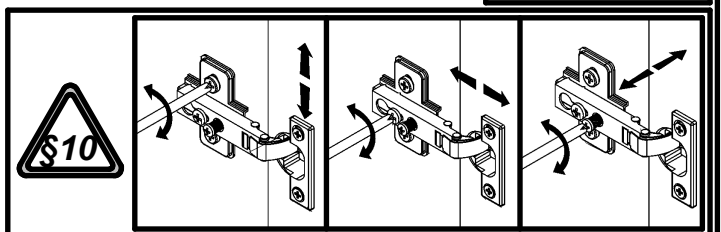
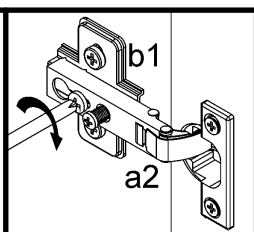
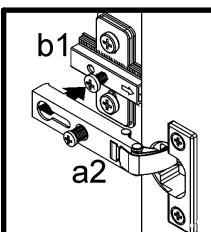
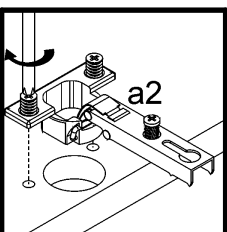
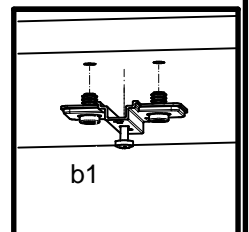
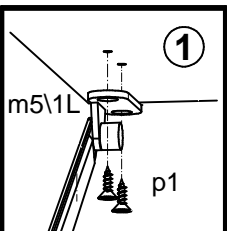
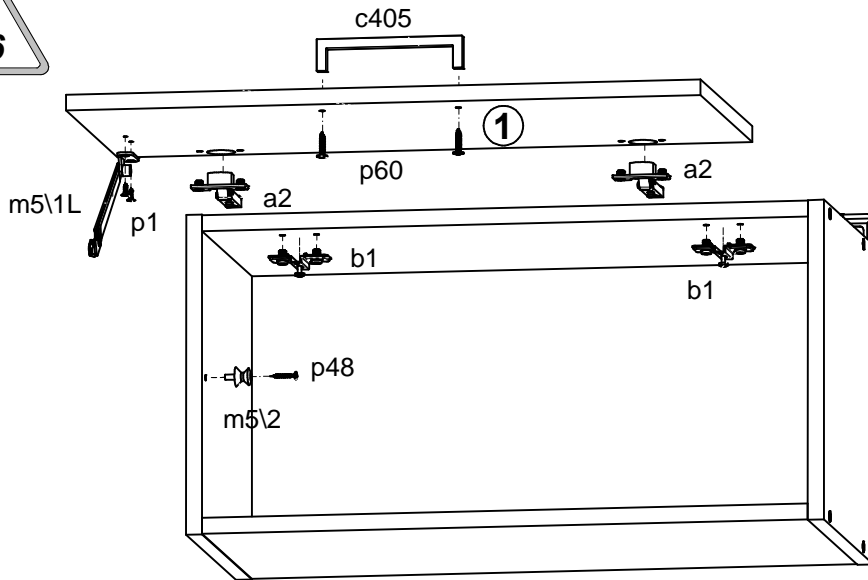
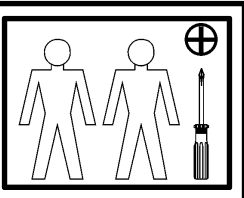
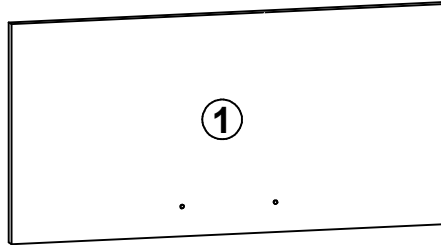
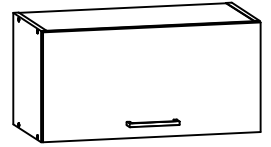
3



Junona Line

K24-GO/60/30

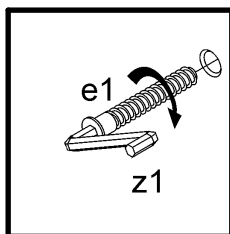
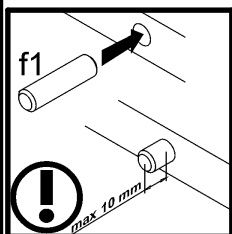
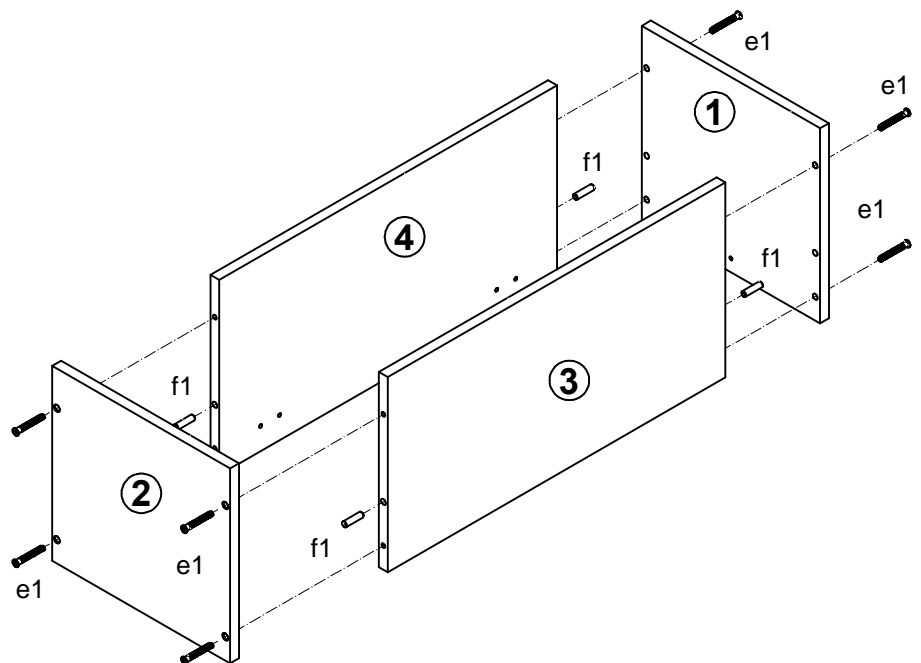
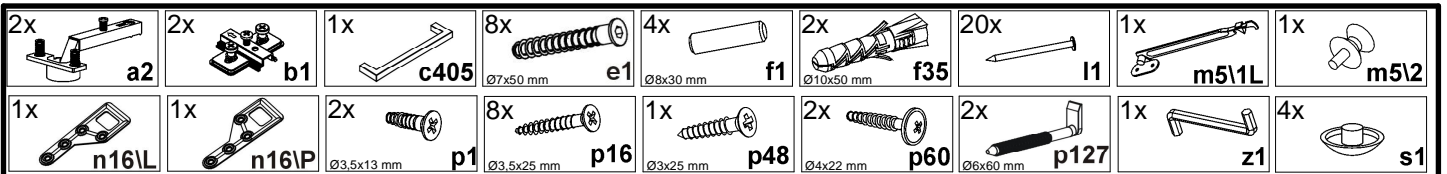
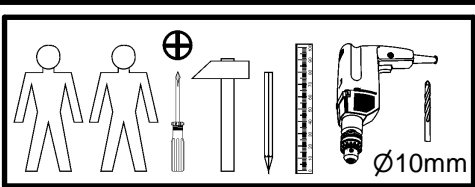
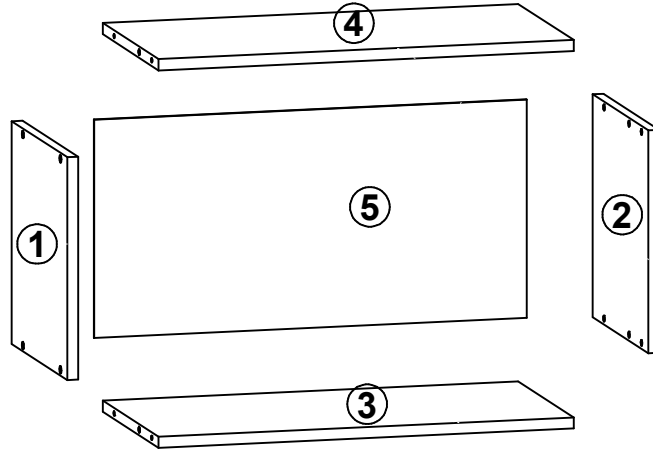
| A | B | C | D |
|---|---------|-----|---------|
| 1 | K24-019 | 596 | 296 2/2 |



Junona Line

K24-GO/60/30

| A | B | C | D |
|---|---------|-----|-----|
| 1 | K24-118 | 300 | 285 |
| 2 | K24-119 | 300 | 285 |
| 3 | K24-330 | 569 | 285 |
| 4 | K24-331 | 569 | 285 |
| 5 | K22-920 | 593 | 294 |



2 §6

