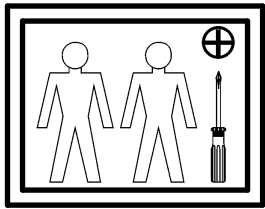
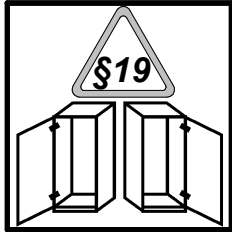
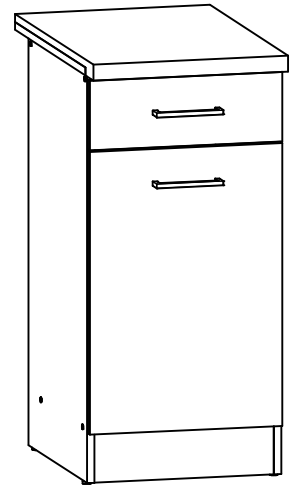
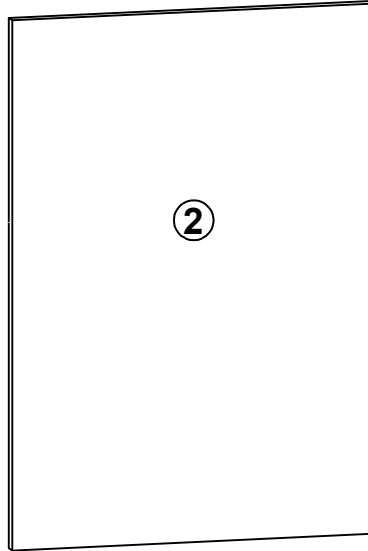
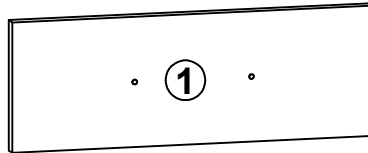


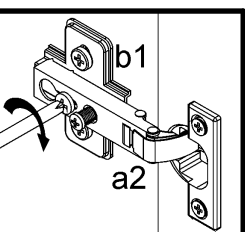
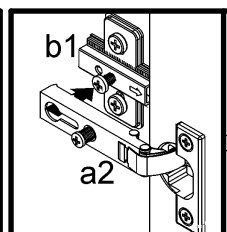
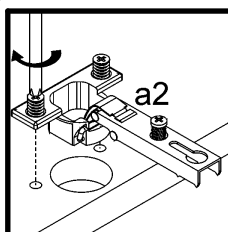
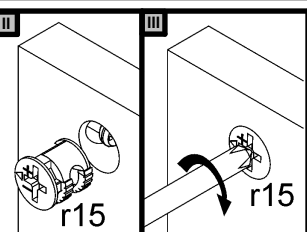
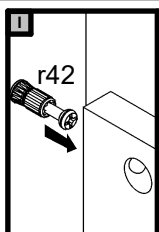
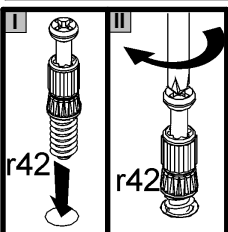
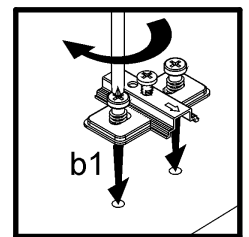
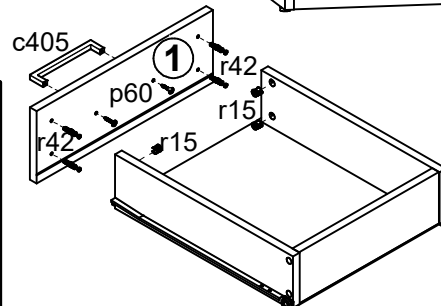
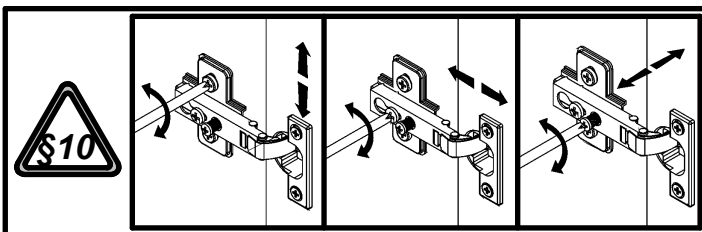
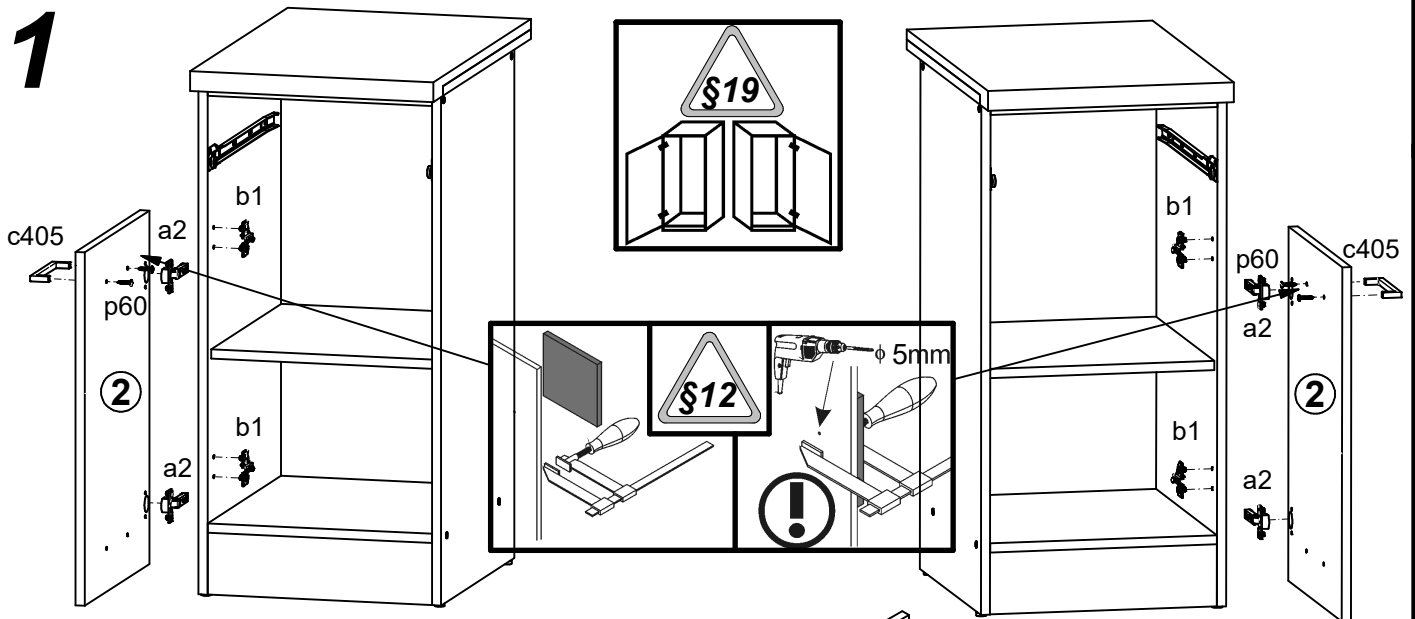
# Junona Line

K24-D1D1S/40/82 Moduł A, A+A1, G, G+A1

A	B	C	D
1	K24-032	396	140 3/3
2	K24-0104_	396	570 3/3
	A		

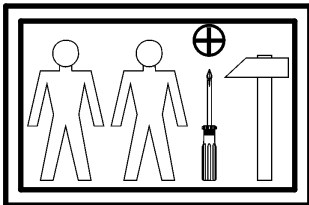
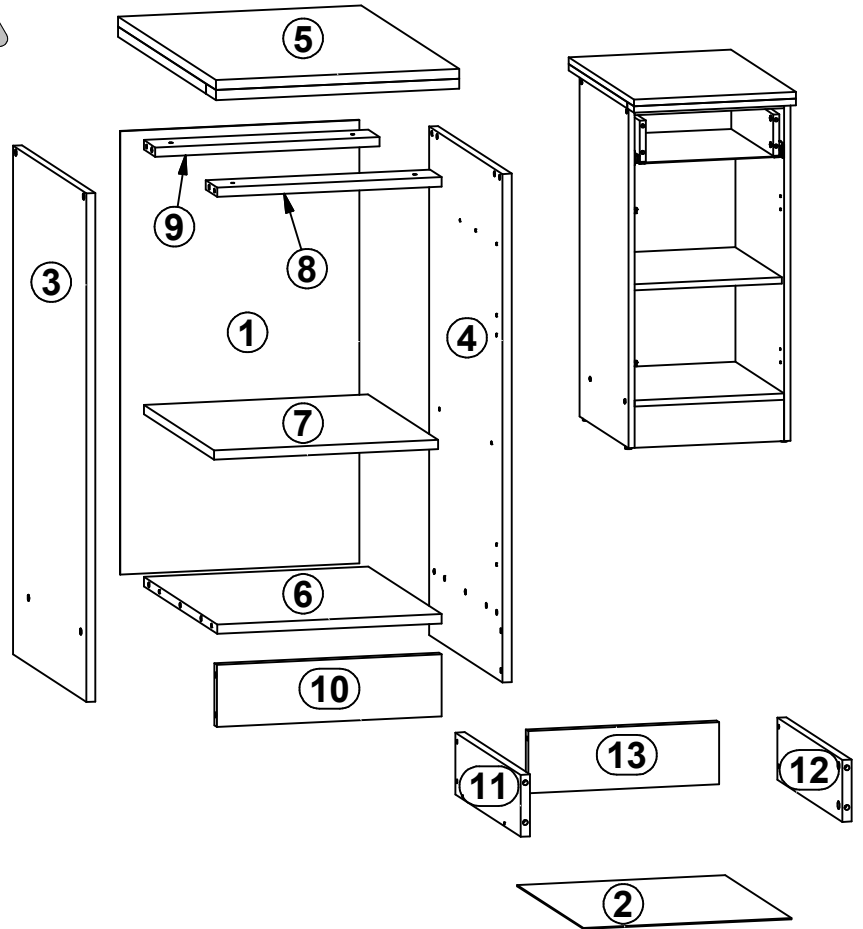


**1**

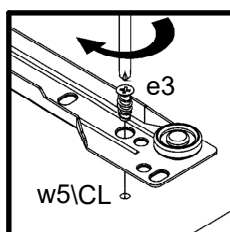
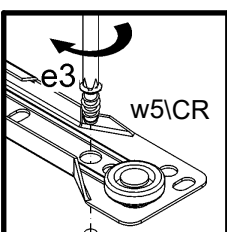
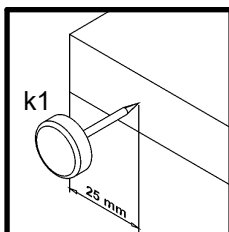
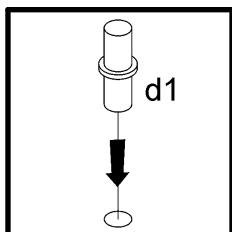
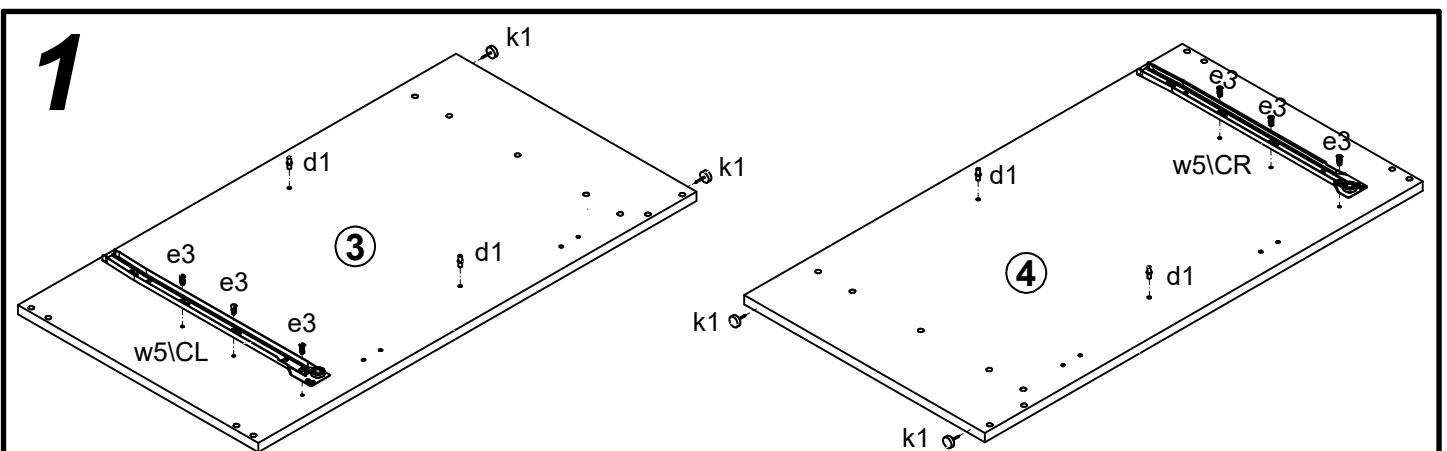


# Junona Line K24-D1D1S/40/82 Moduł A,A+A1,G,G+A1

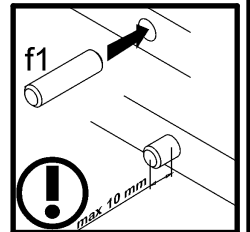
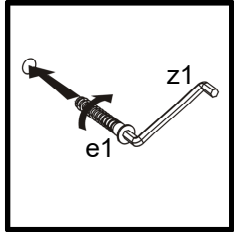
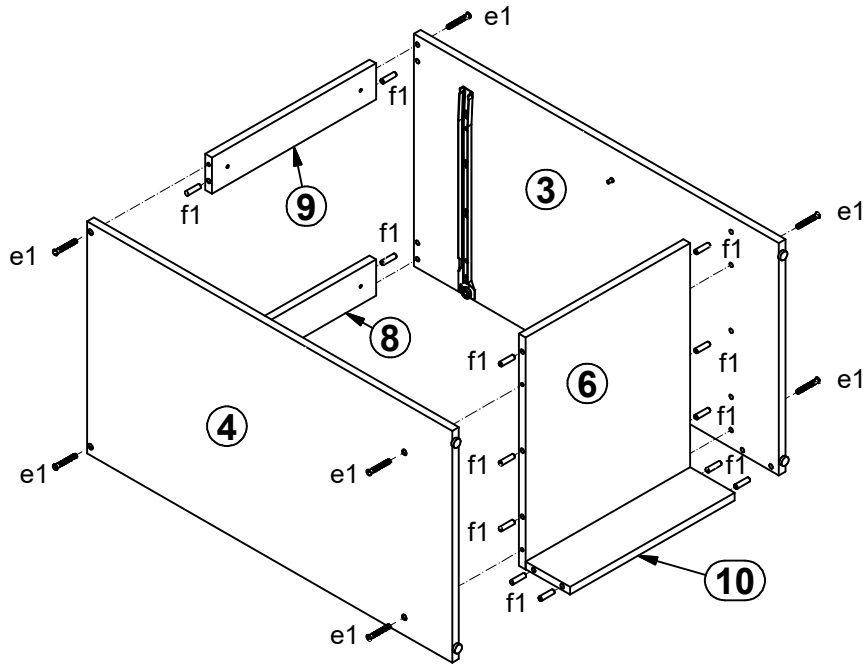
A	B	C	D	
<b>Moduł A, A+A1, G, G+A1</b>				
1	K22-906	715	393	1/3
2	K22-922	406	342	1/3
3	K24-103	820	450	1/3
4	K24-104	820	450	1/3
6	K24-307	369	450	1/3
7	K24-308	368	430	1/3
8	K24-411	369	70	2/3
9	K24-412	369	70	2/3
10	K24-413	369	100	2/3
11	K24-501	400	100	2/3
12	K24-502	400	100	2/3
13	ZS3-5527	784	140	2/3
<b>Moduł A + A1, G + A1</b>				
5	K24-203	400	600	1/3



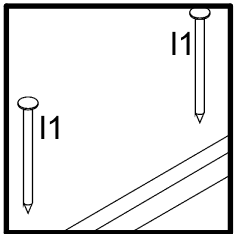
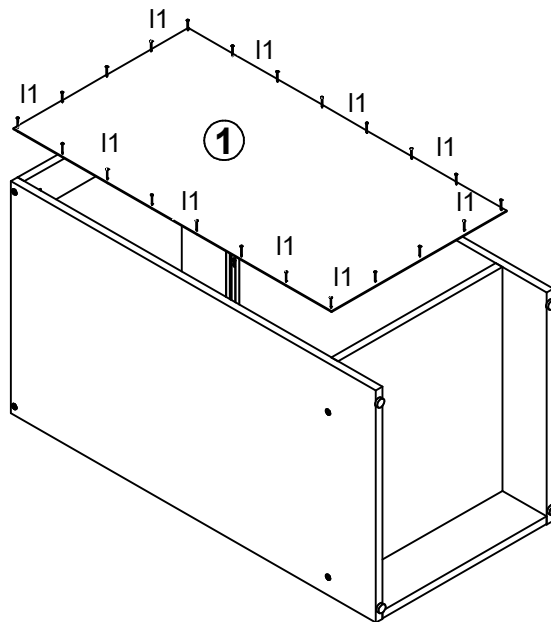
2x a2	2x b1	2x c405 128mm	4x d1 Ø5x17 mm	8x e1 Ø7x50 mm	4x e19 Ø5x9 mm	6x e3 Ø6x13 mm	14x f1 Ø8x30 mm	4x f25 Ø6.5x40 mm	
4x k1	25x l1	4x p21 Ø4x30 mm	4x p38 Ø3.5x16 mm	4x p60 Ø4x22 mm	4x r15 Ø12x10.5 mm #12	4x r42 20/11	1x w5\CL 400 mm	1x w5\CR 400 mm	
1x w5\DL 400 mm	1x w5\DR 400 mm	4x s1	1x z1 4 mm						



# 2

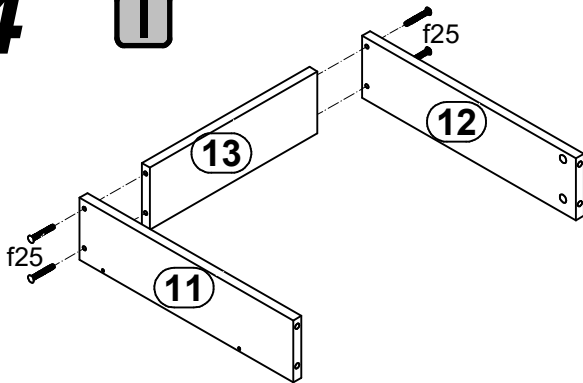


# 3

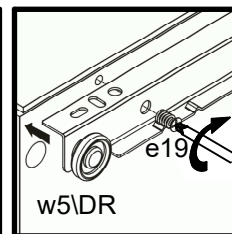
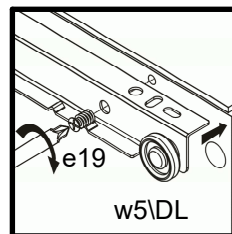
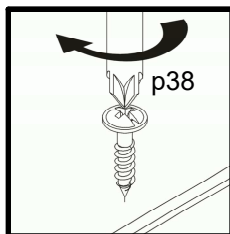
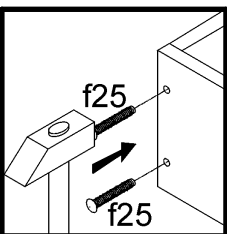
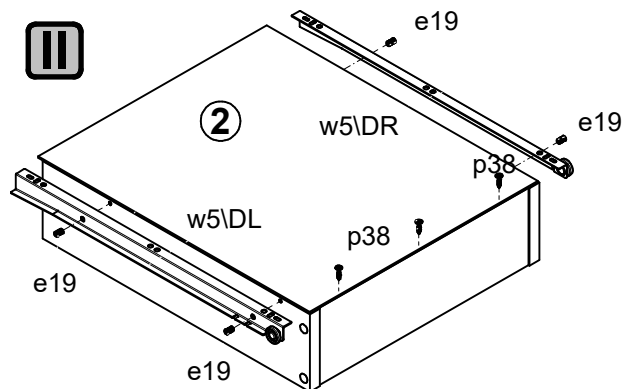


# 4

I



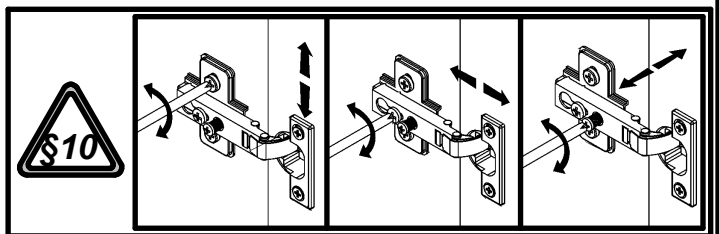
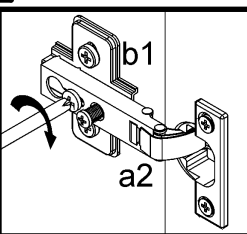
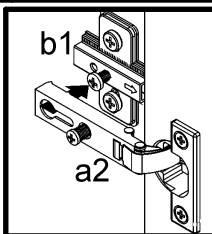
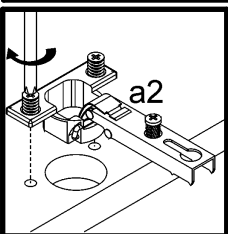
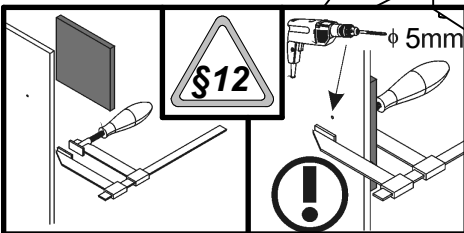
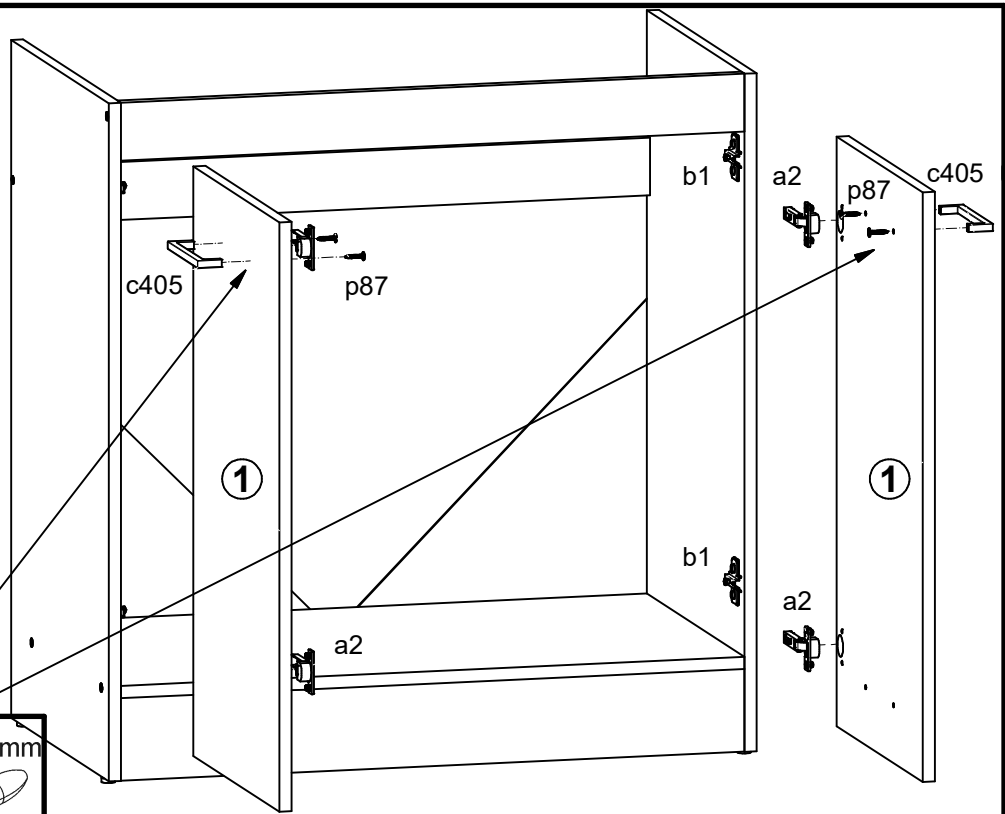
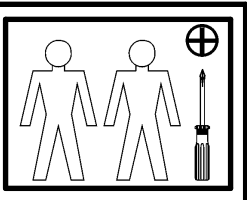
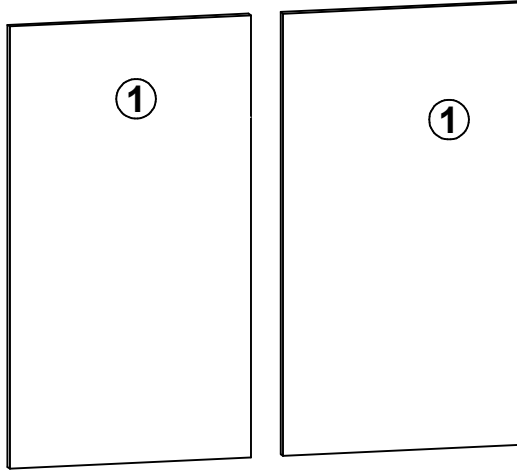
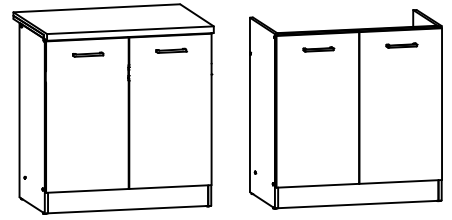
II



# Junona Line

K24-DK2D/80/82 K24-D2D/80/82 Moduł A,A+A1,G,G+A1

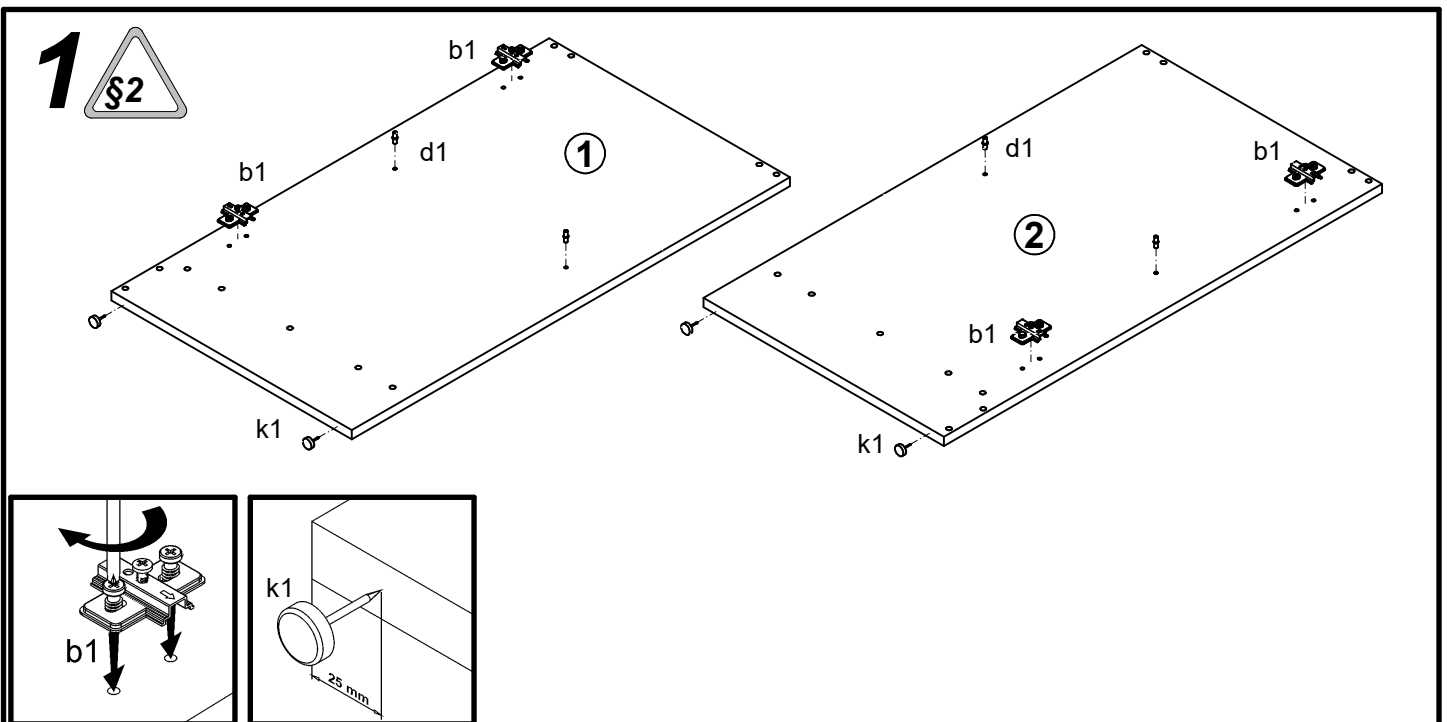
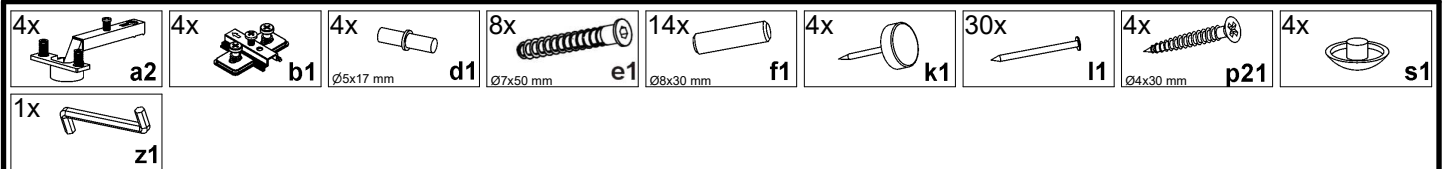
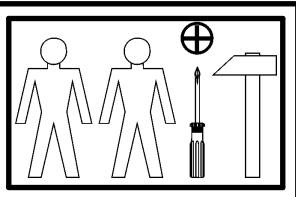
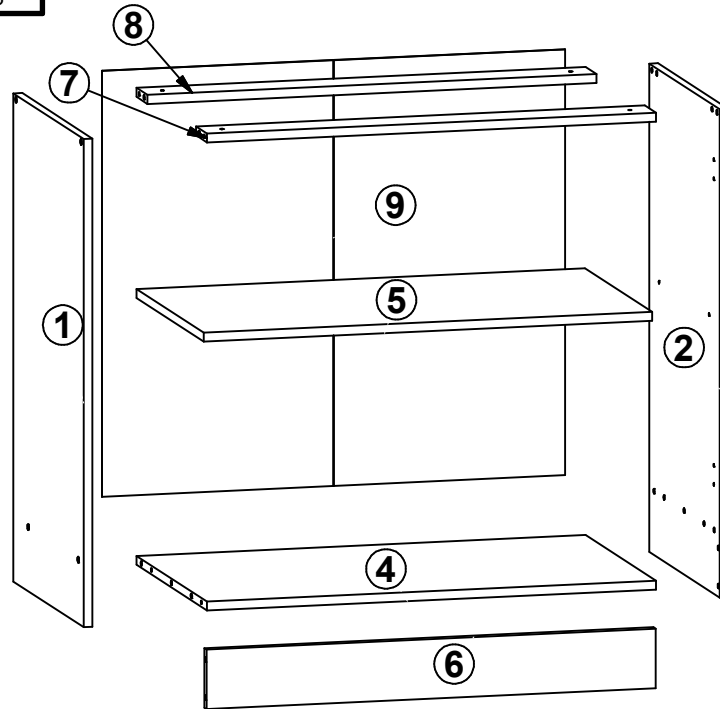
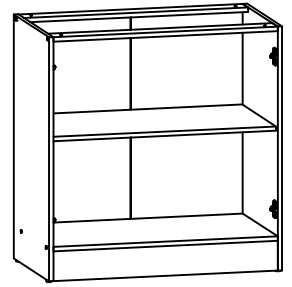
A	B	C	D
K24-DK2D/80/82 K24-D2D/80/82			
1	K24-0101_ A	396	713 2/2
Moduł A,A+A1,G,G+A1			
1	K24-0101_ A	396	713 3/3



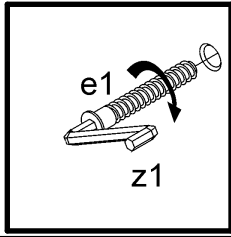
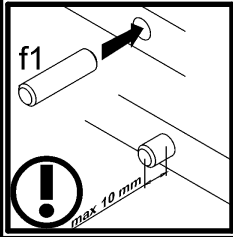
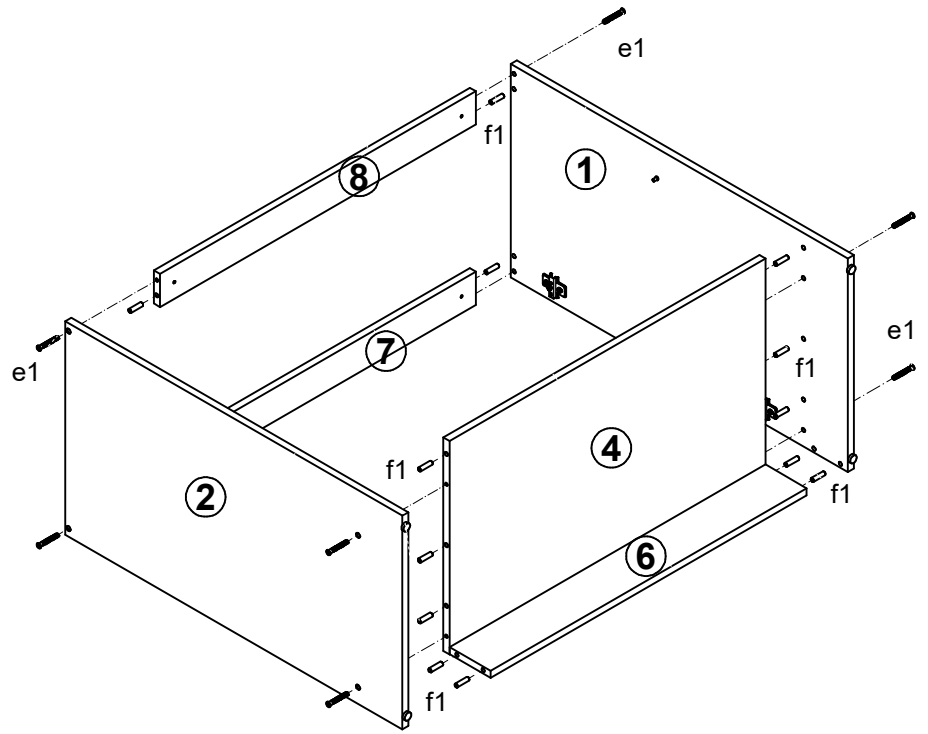
# Junona Line

K24-D2D/80/82

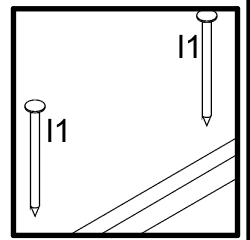
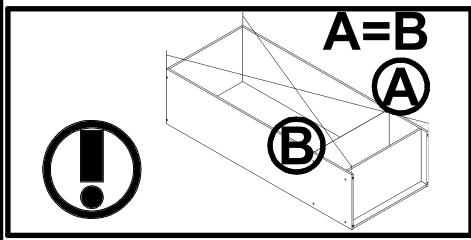
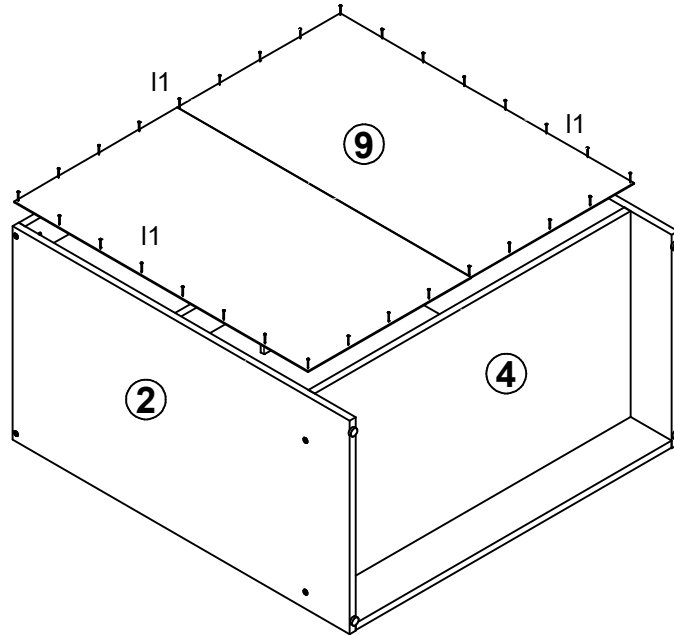
A	B	C	D
1	K24-107	820	450 1/3
2	K24-108	820	450 1/3
3	K24-205	800	600 2/3
4	K24-327	769	450 1/3
5	K24-333	768	430 1/3
6	K24-417	769	100 1/3
7	K24-419	769	70 1/3
8	K24-420	769	70 1/3
9	K22-921	715	793 1/3



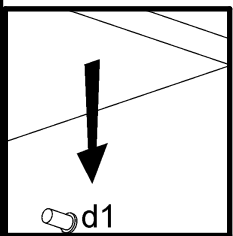
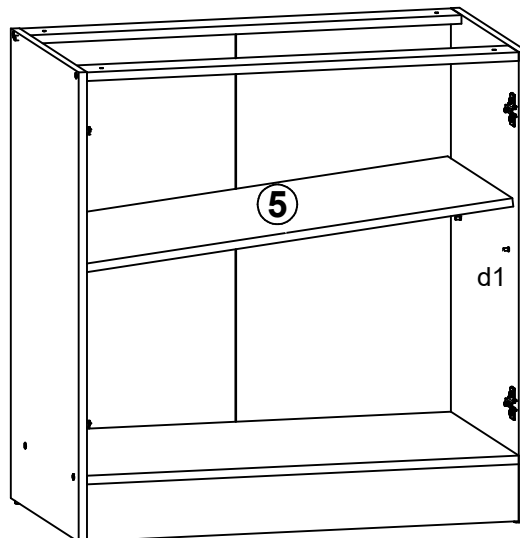
# 2



# 3



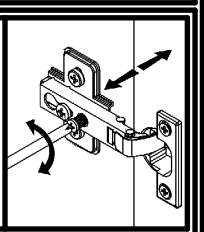
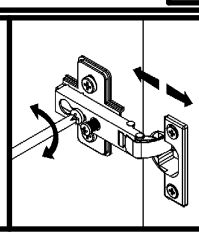
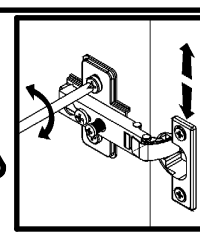
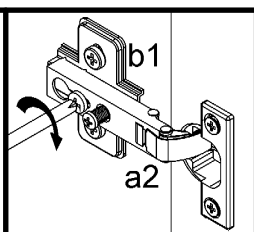
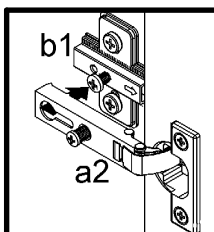
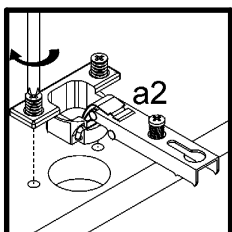
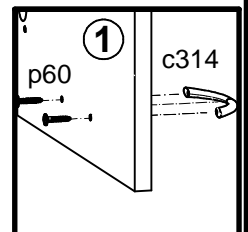
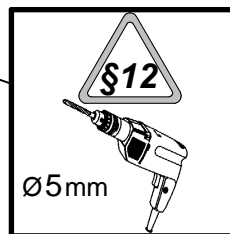
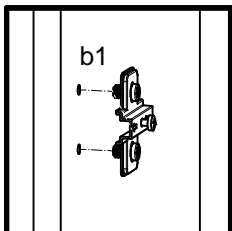
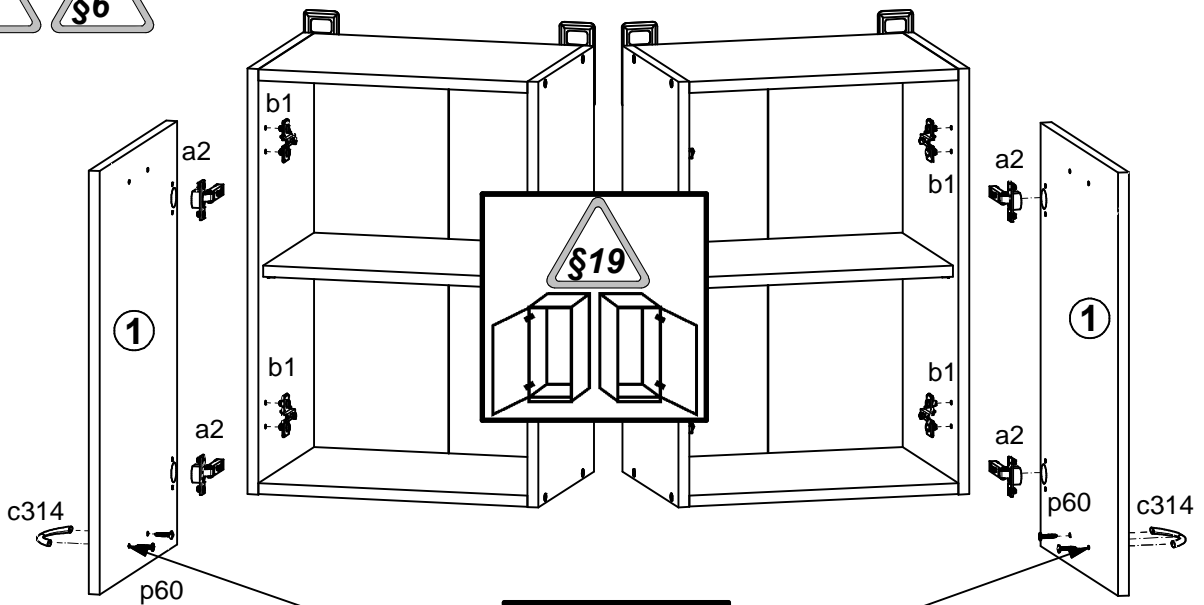
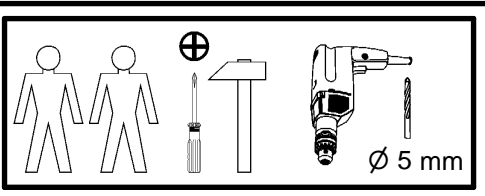
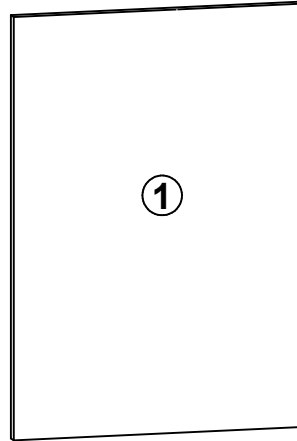
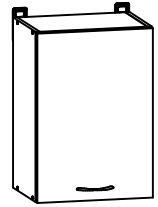
# 4



# Junona Line

K22-G1D/40/57-LP

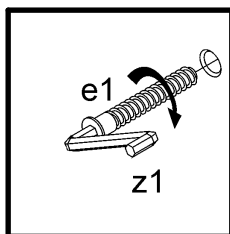
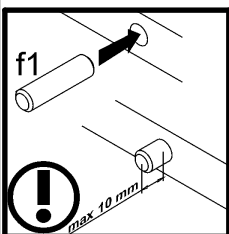
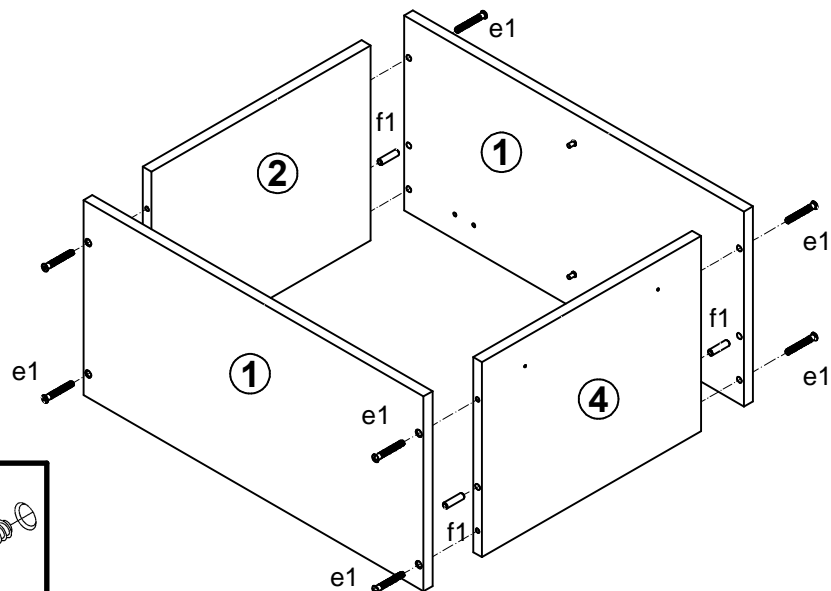
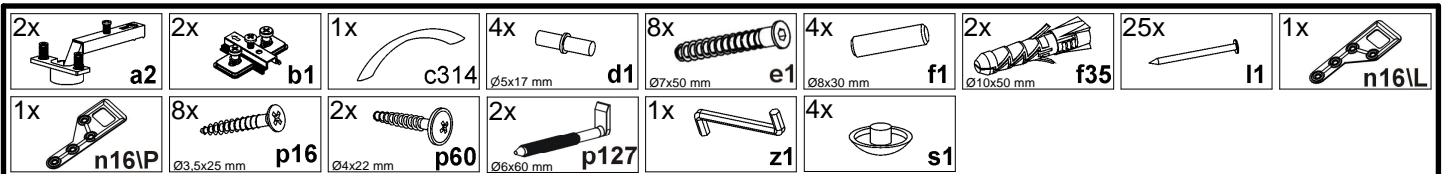
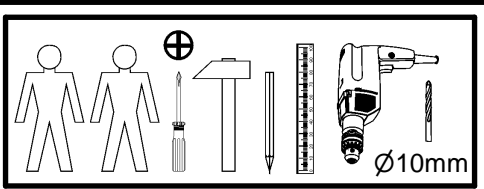
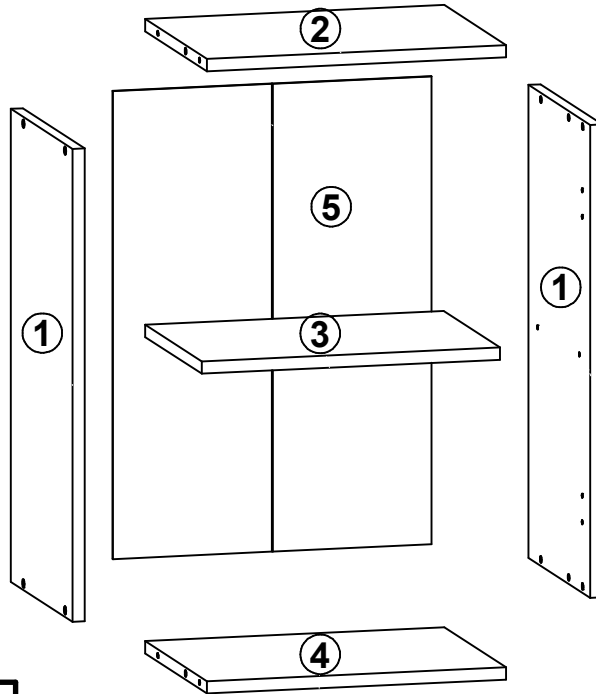
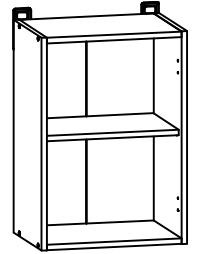
A	B	C	D
1	K22-029	396	570
			2/2



# Junona Line

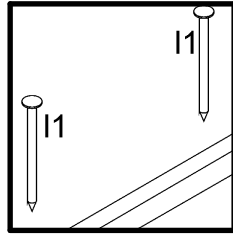
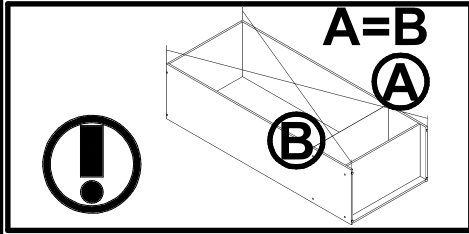
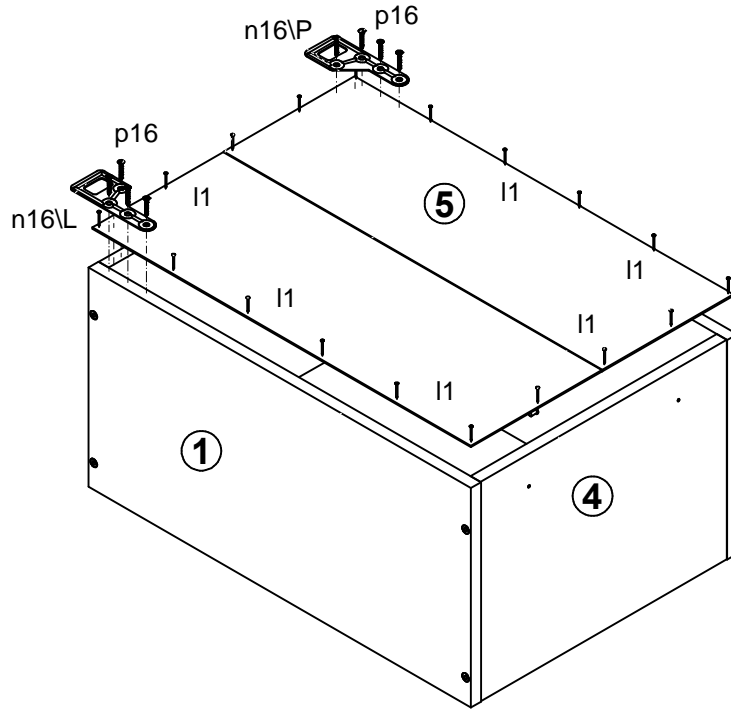
# K22-G1D/40/57-LP

A	B	C	D
1	K22-101	573	285
2	K22-311	369	285
3	K22-312	368	260
4	K22-323	369	285
5	K22-908	567	393

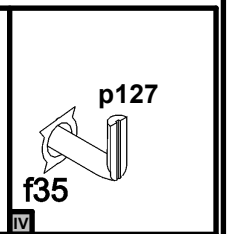
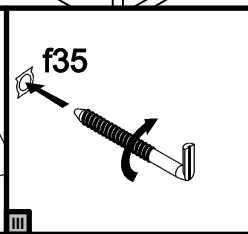
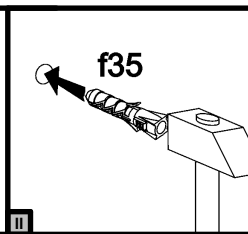
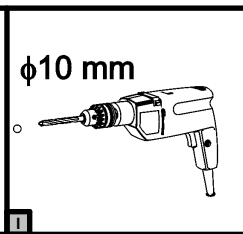
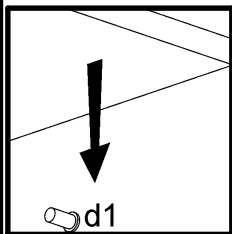
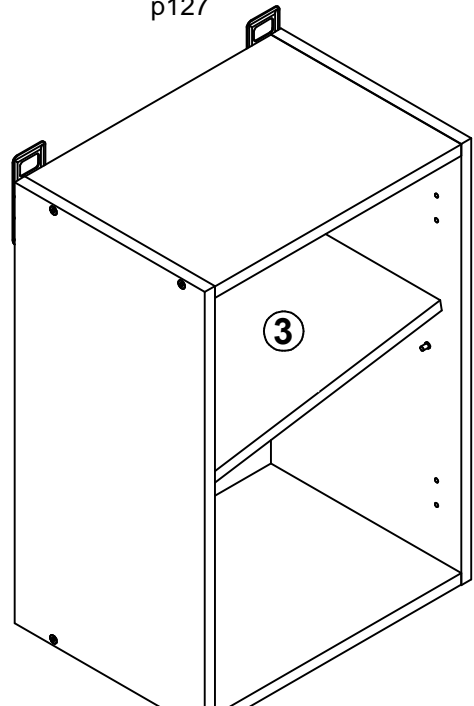
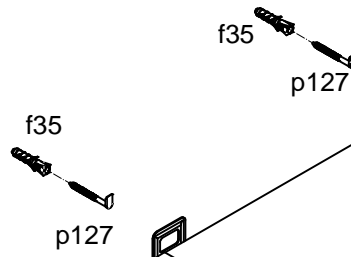
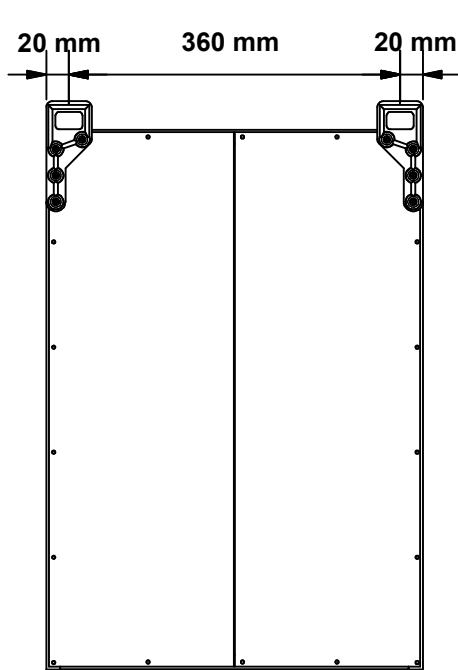




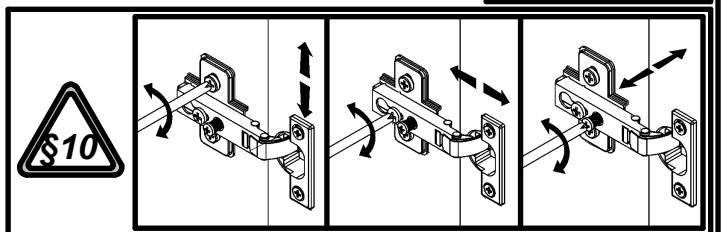
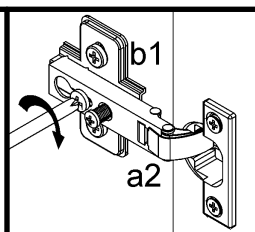
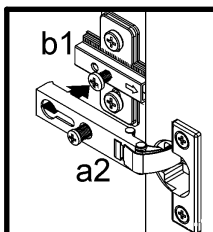
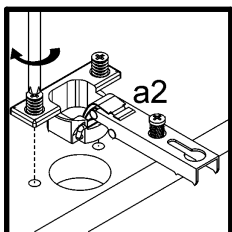
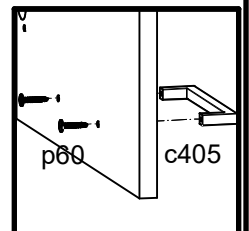
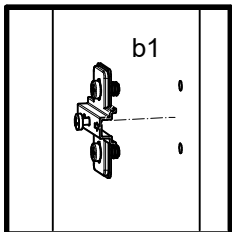
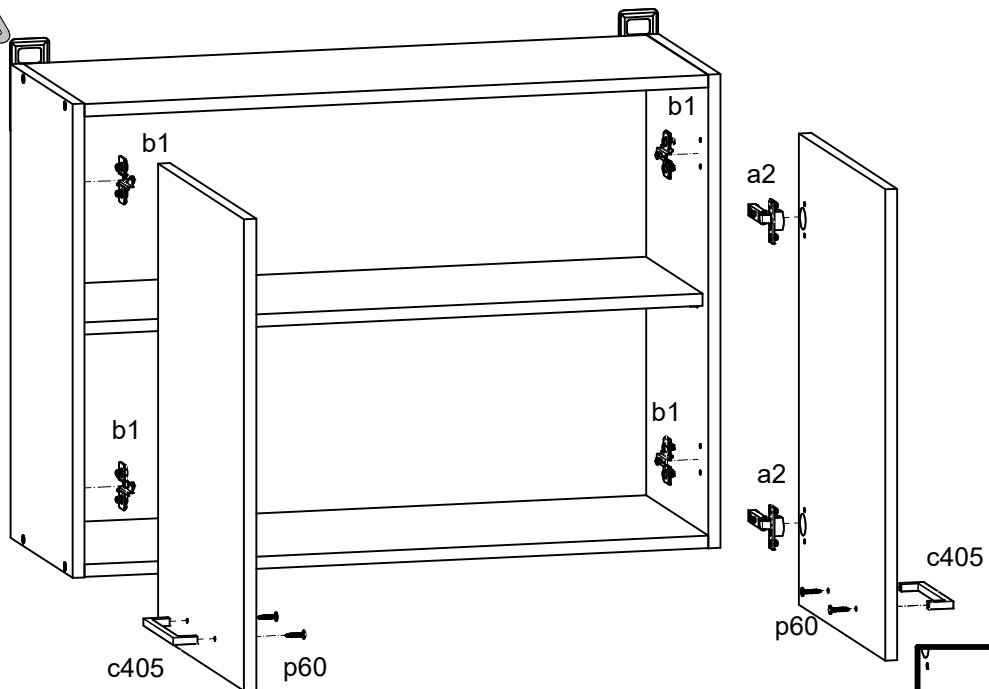
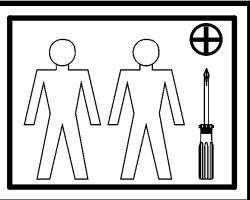
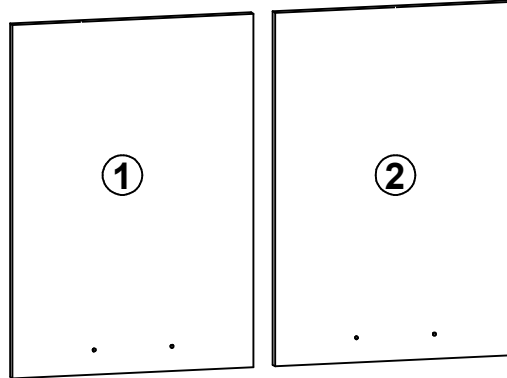
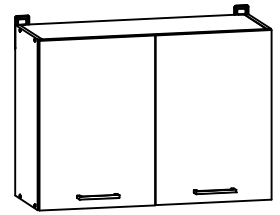
**2** §6



**3**



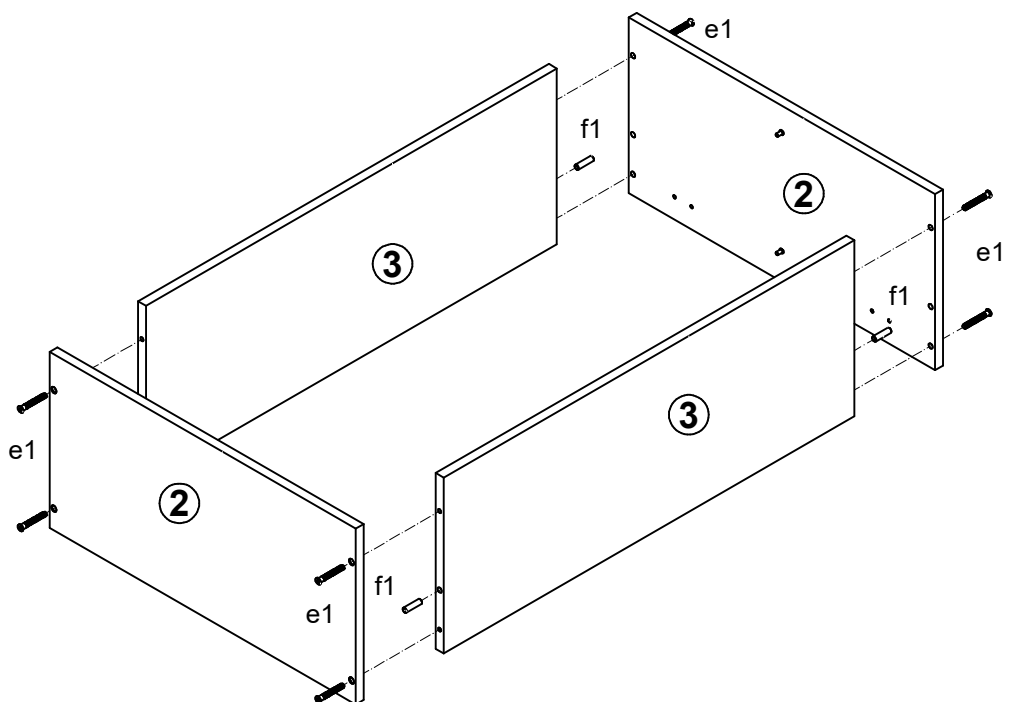
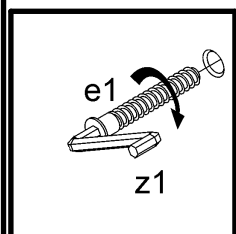
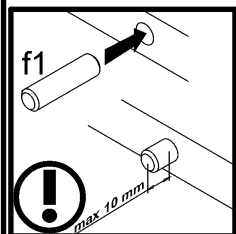
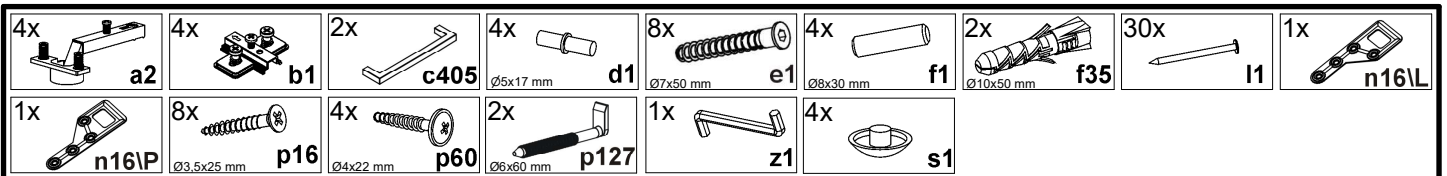
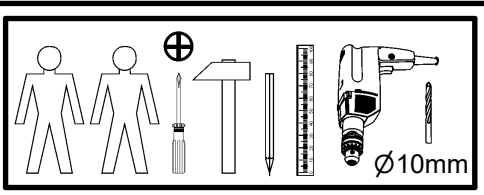
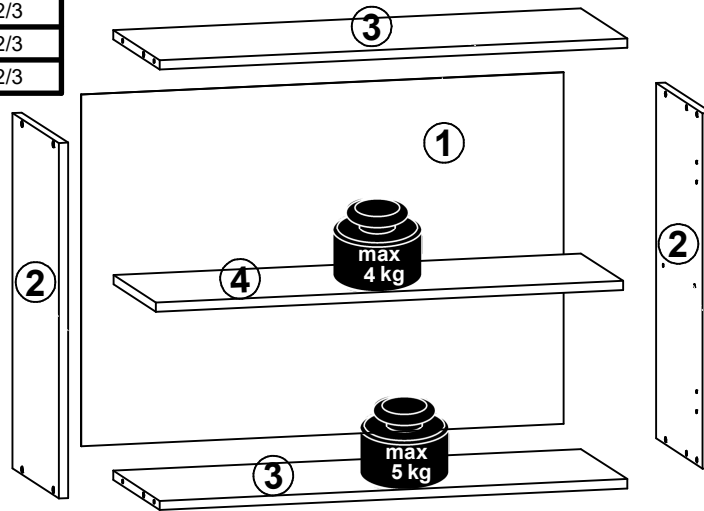
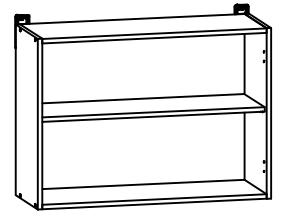
A	B	C	D
K24-G1D/40/57-LP			
1	K24-008	396	570 2/2
2	K24-013	396	570 2/2
Moduł G,G+A1			
1	K24-008	396	570 3/3
2	K24-013	396	570 3/3



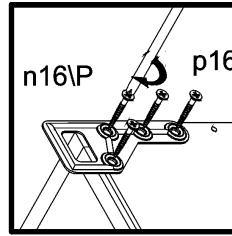
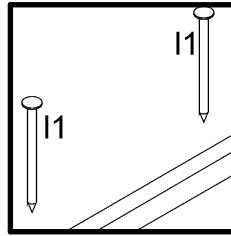
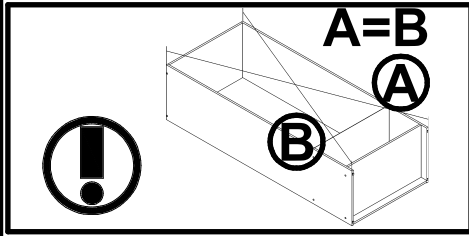
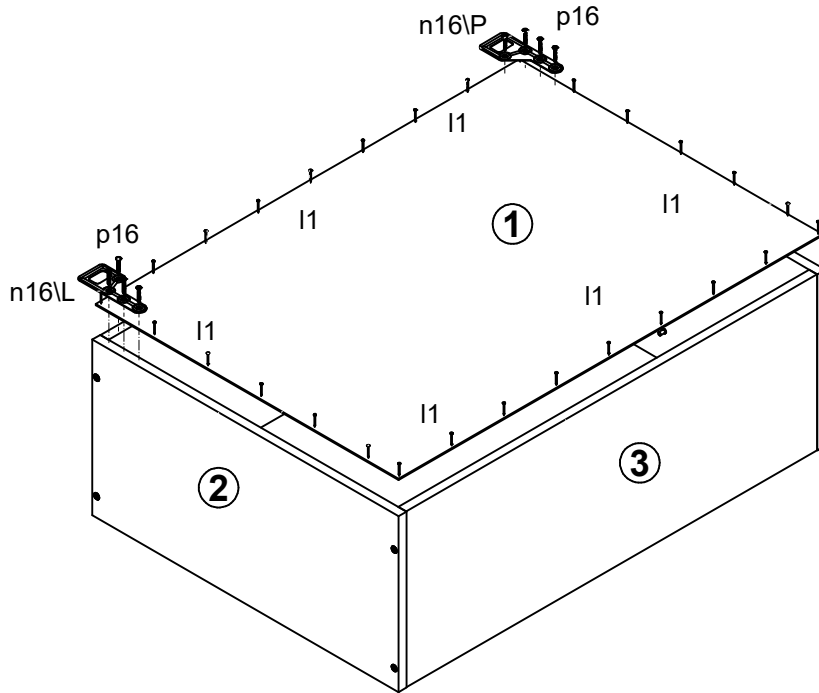
# Junona Line

# K24-G2D/80/57 Moduł G , G + A1

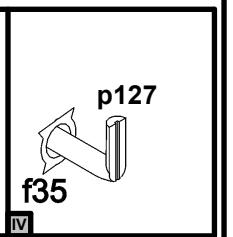
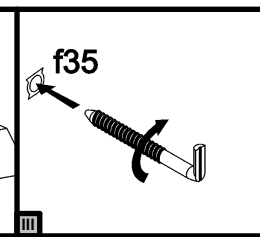
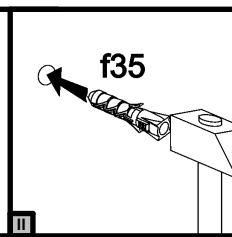
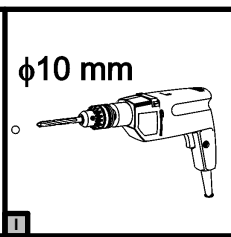
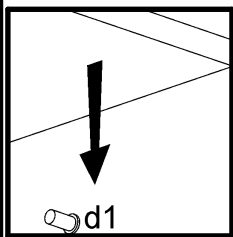
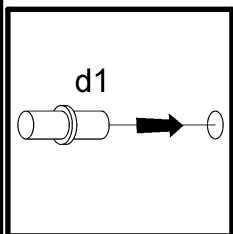
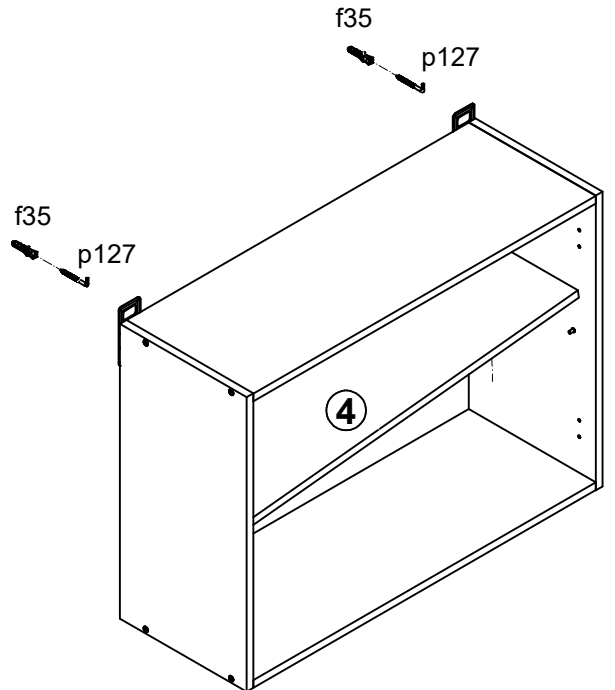
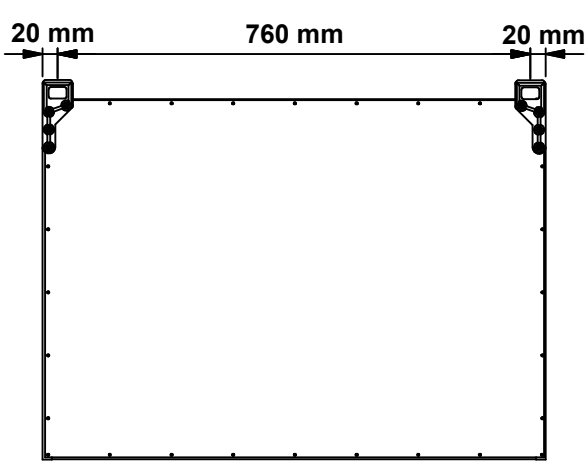
A	B	C	D
<b>K24-G2W/80/57</b>			
1	K22-919	567	793
2	K24-101	573	285
3	K24-328	769	285
4	K24-329	768	260
<b>Moduł G , G + A1</b>			
1	K22-919	567	793
2	K24-120	573	285
3	K24-328	769	285
4	K24-329	768	260



**2** §6



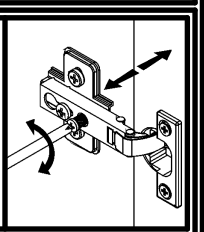
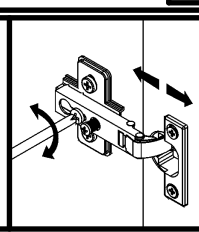
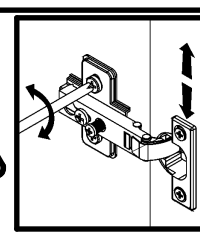
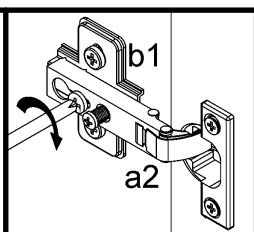
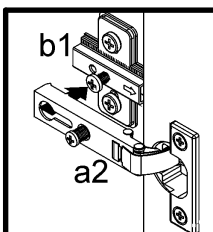
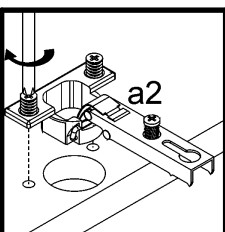
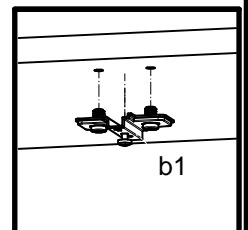
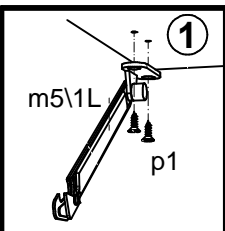
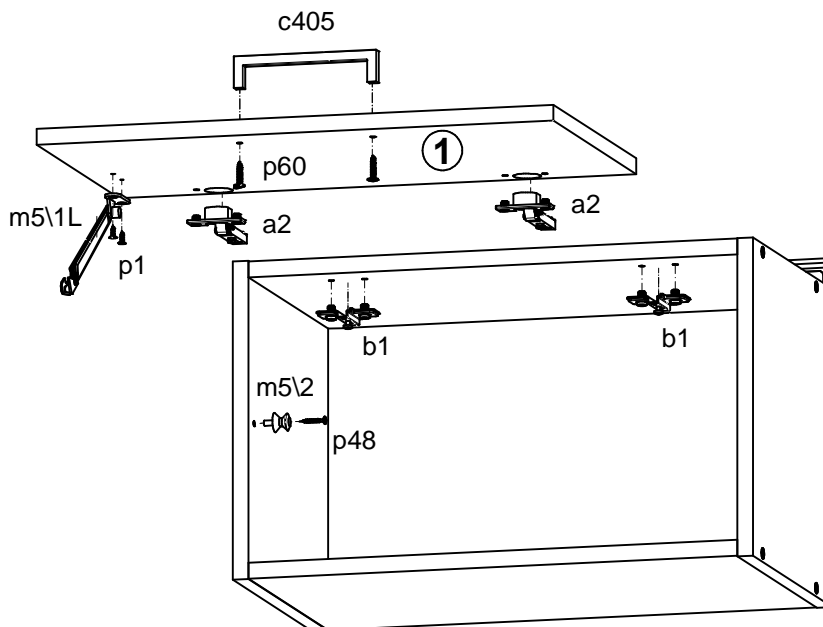
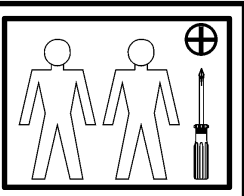
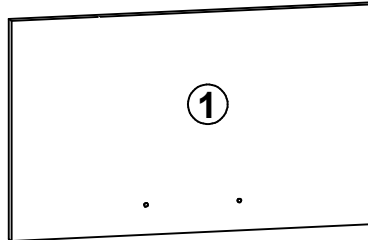
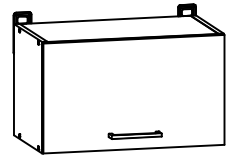
**3**



# Junona Line

K24-GO/50/30

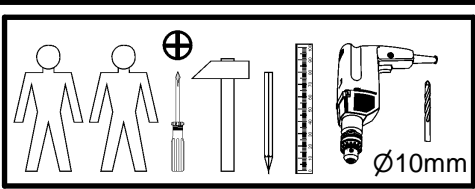
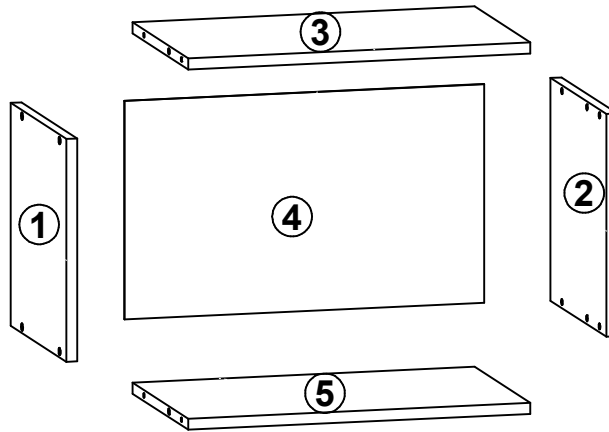
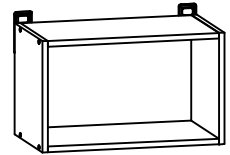
A	B	C	D
1	K24-035	496	296 2/2



# Junona Line

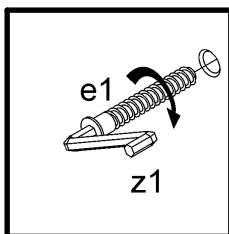
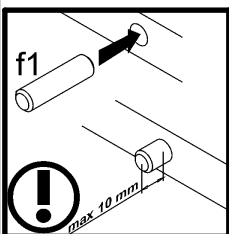
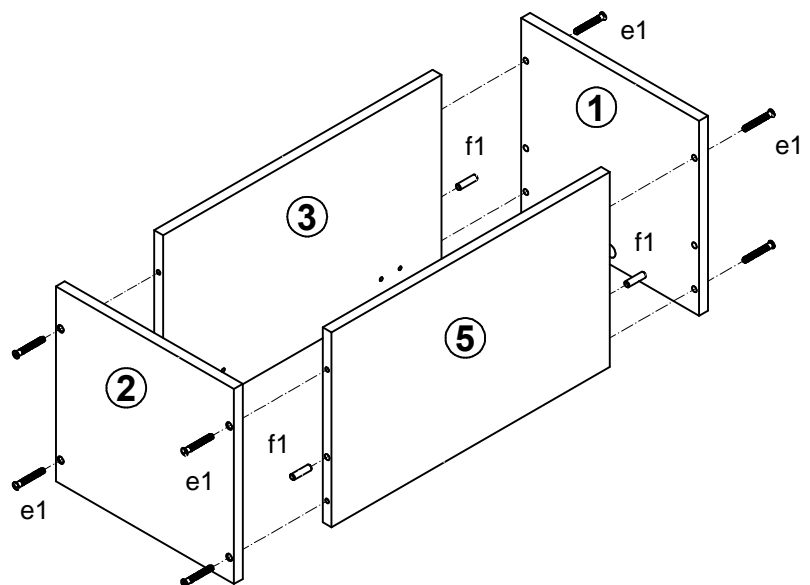
K24-GO/50/30

A	B	C	D
4	K22-924	493	294
1	K24-118	300	285
2	K24-119	300	285
5	K24-314	469	285
3	K24-335	469	285

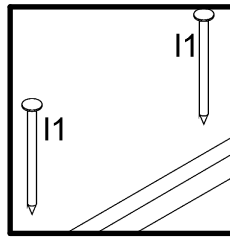
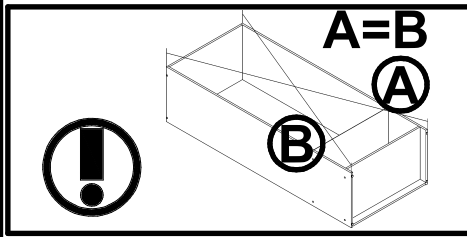
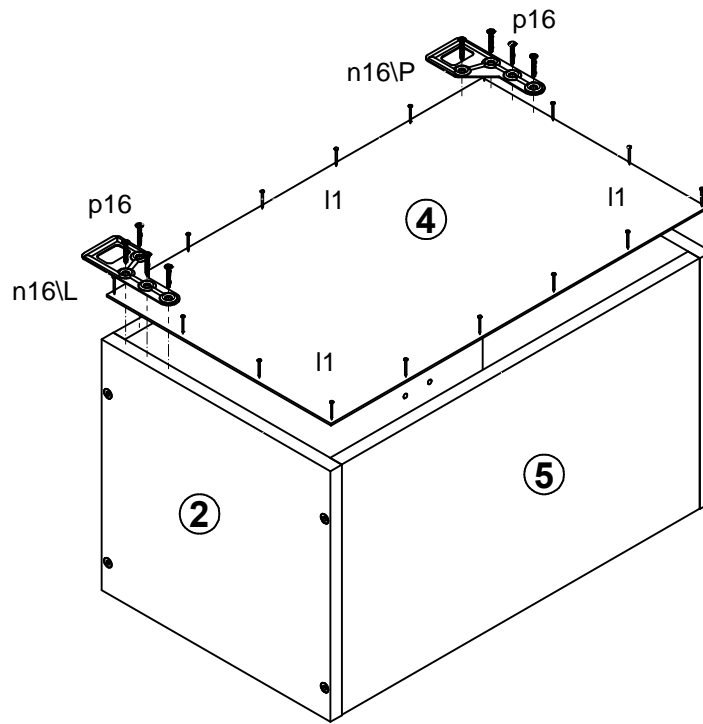


2x 	2x 	1x 	8x 	4x 	2x 	20x 	1x 	1x 
1x 	1x 	2x 	8x 	2x 	2x 	1x 	1x 	4x 

**1** §2



**2** §6



**3**

