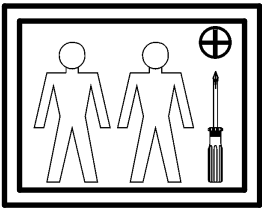
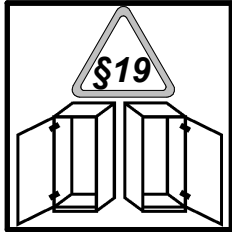
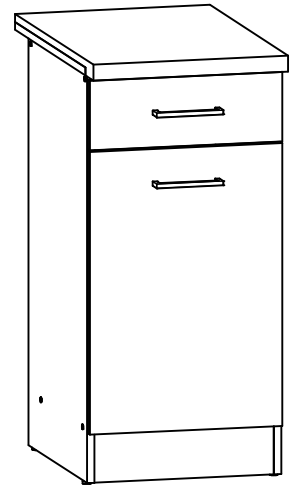
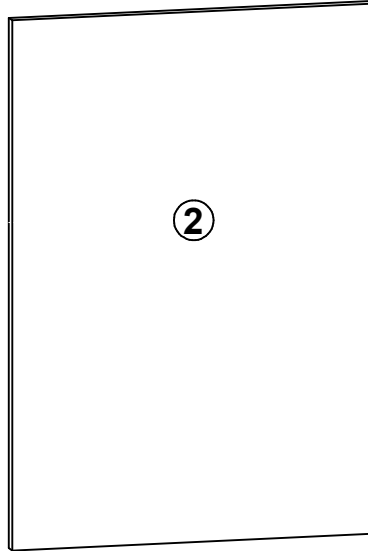
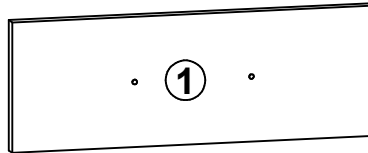


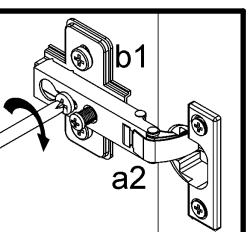
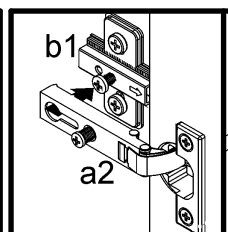
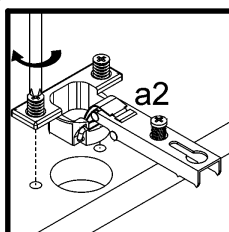
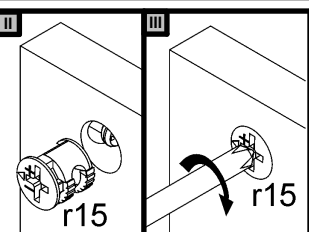
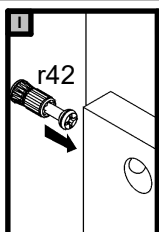
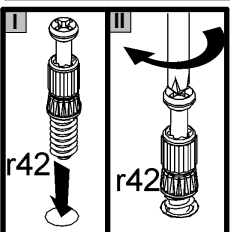
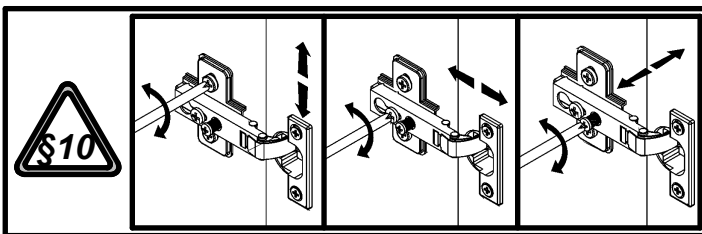
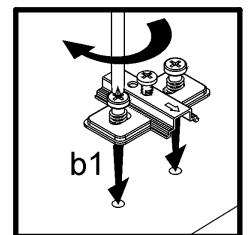
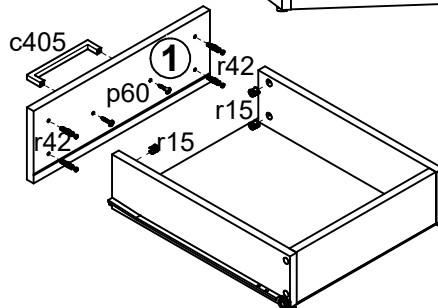
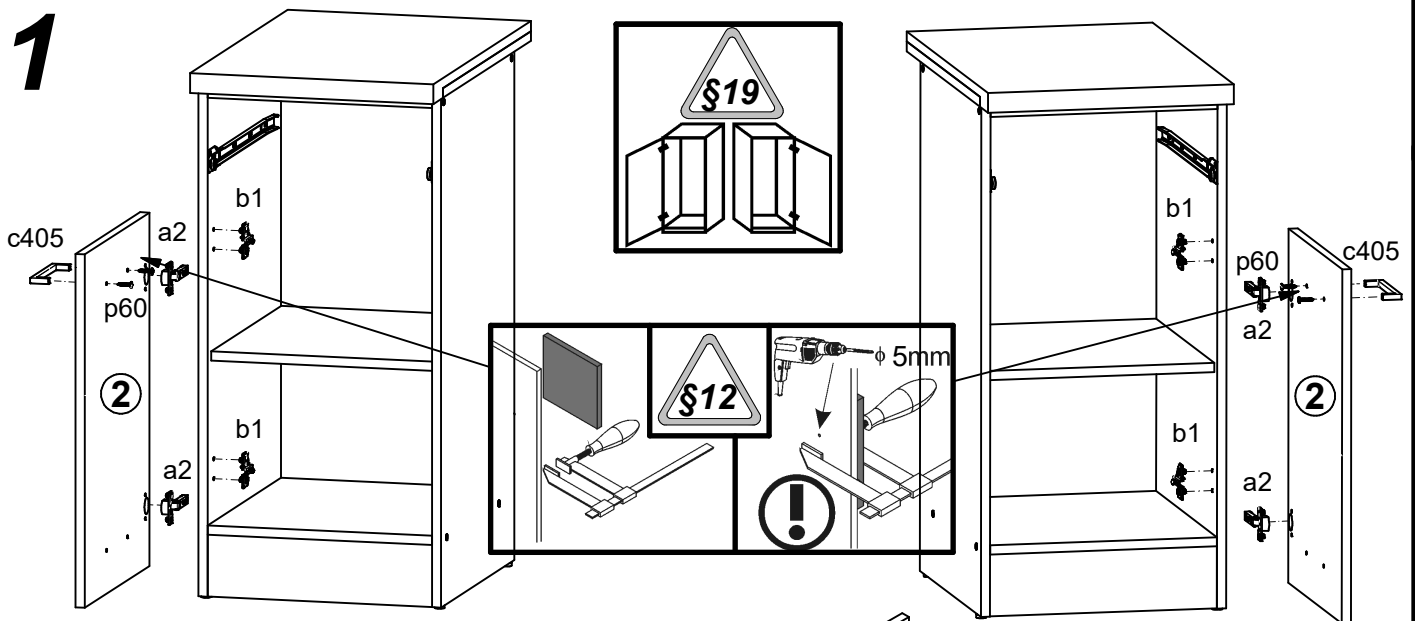
Junona Line

K24-D1D1S/40/82 Moduł A, A+A1, G, G+A1

A	B	C	D
1	K24-032	396	140
2	K24-0104_	396	570
	A		

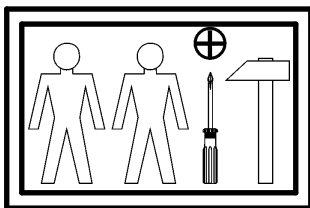
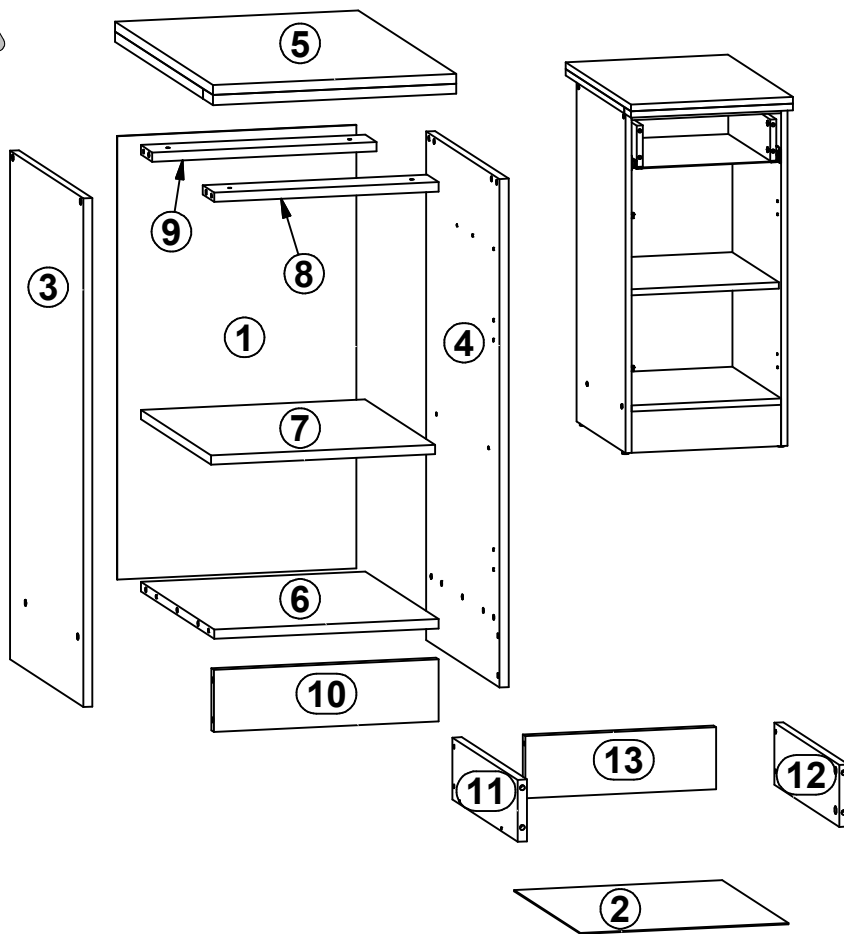


1

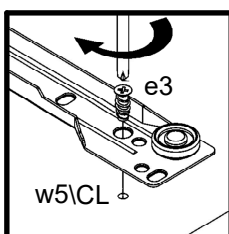
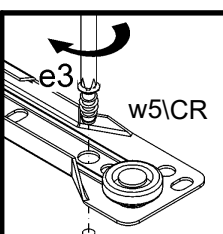
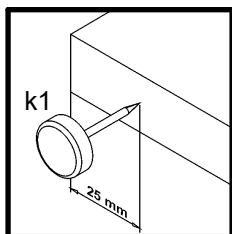
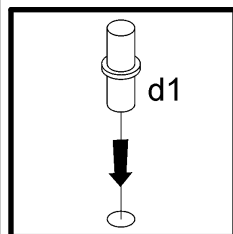
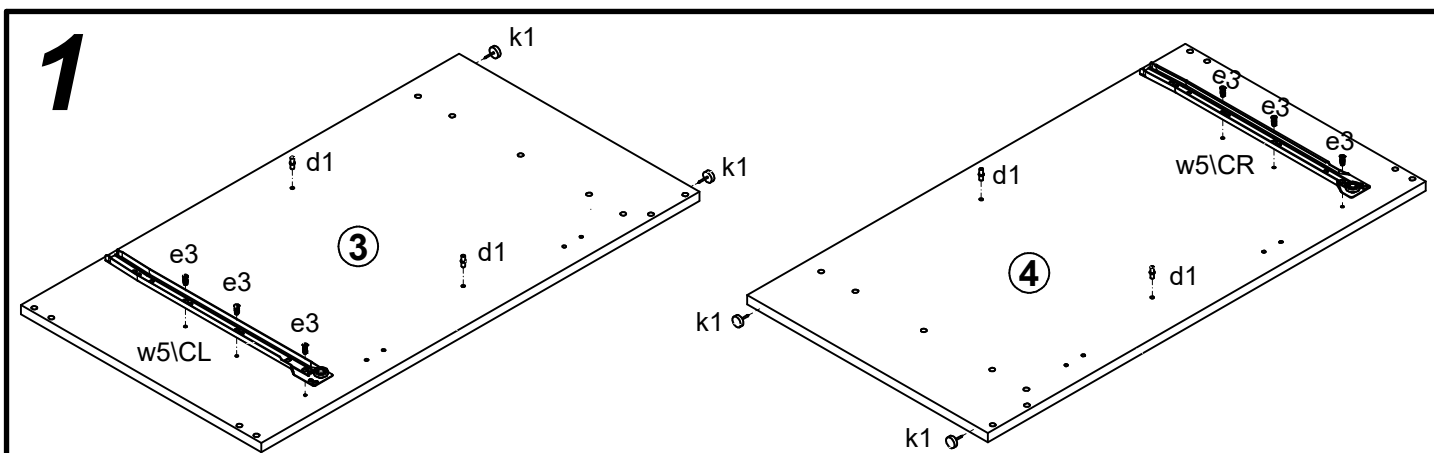


Junona Line K24-D1D1S/40/82 Moduł A,A+A1,G,G+A1

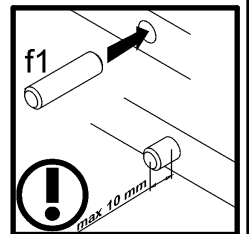
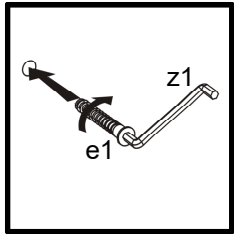
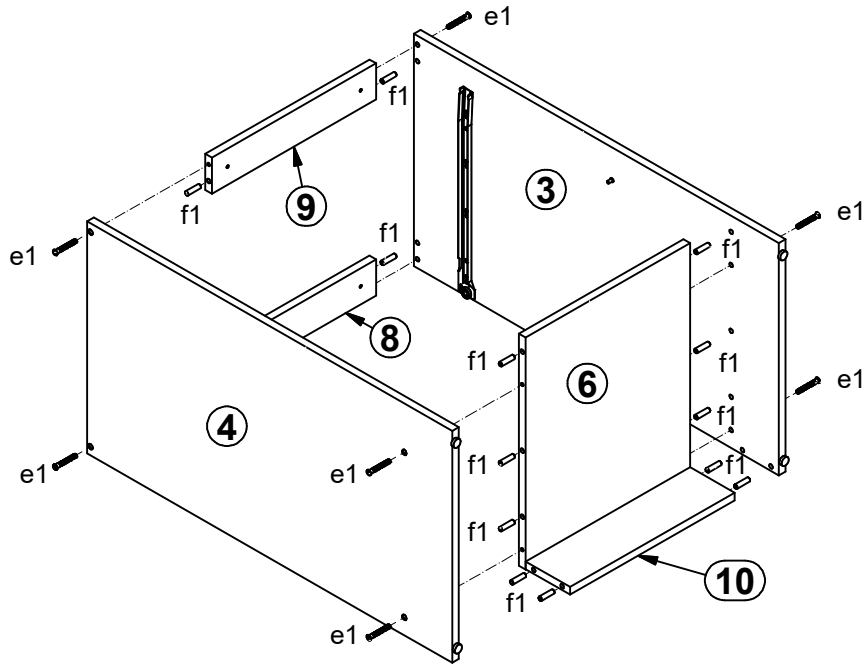
A	B	C	D	
Moduł A, A+A1, G, G+A1				
1	K22-906	715	393	1/3
2	K22-922	406	342	1/3
3	K24-103	820	450	1/3
4	K24-104	820	450	1/3
6	K24-307	369	450	1/3
7	K24-308	368	430	1/3
8	K24-411	369	70	2/3
9	K24-412	369	70	2/3
10	K24-413	369	100	2/3
11	K24-501	400	100	2/3
12	K24-502	400	100	2/3
13	ZS3-5527	784	140	2/3
Moduł A + A1, G + A1				
5	K24-203	400	600	1/3



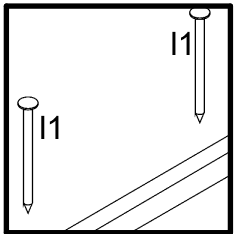
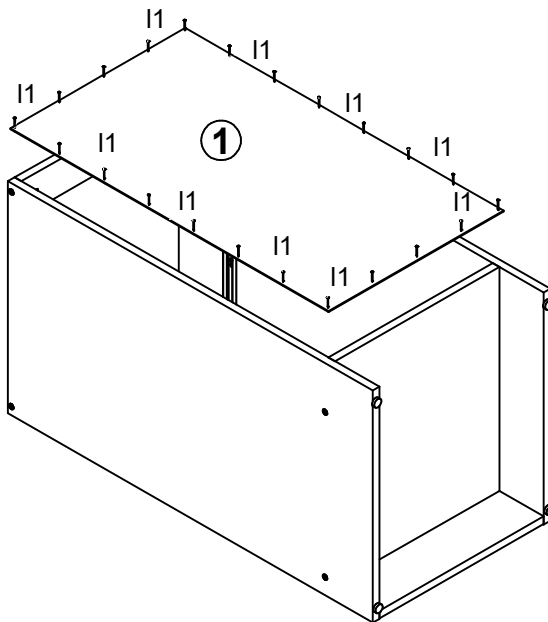
2x a2	2x b1	2x c405 128mm	4x d1 Ø5x17 mm	8x e1 Ø7x50 mm	4x e19 Ø5x9 mm	6x e3 Ø6x13 mm	14x f1 Ø8x30 mm	4x f25 Ø6.5x40 mm	
4x k1	25x l1	4x p21 Ø4x30 mm	4x p38 Ø3.5x16 mm	4x p60 Ø4x22 mm	4x r15 Ø12x10.5 mm #12	4x r42 20/11	1x w5\CL 400 mm	1x w5\CR 400 mm	
1x w5\DL 400 mm	1x w5\DR 400 mm	4x s1	1x z1 4 mm						



2

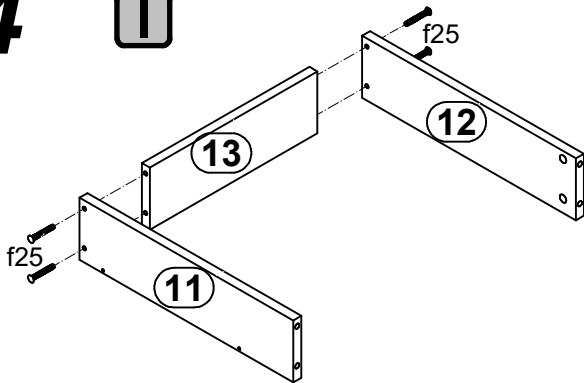


3

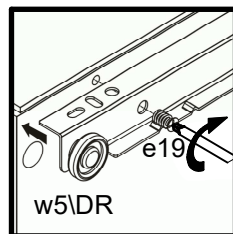
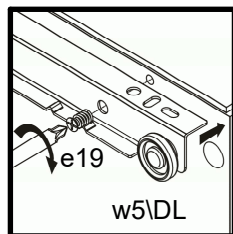
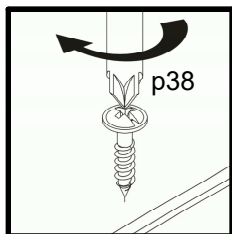
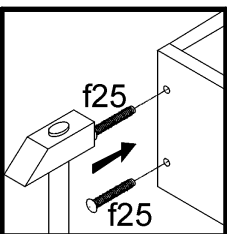
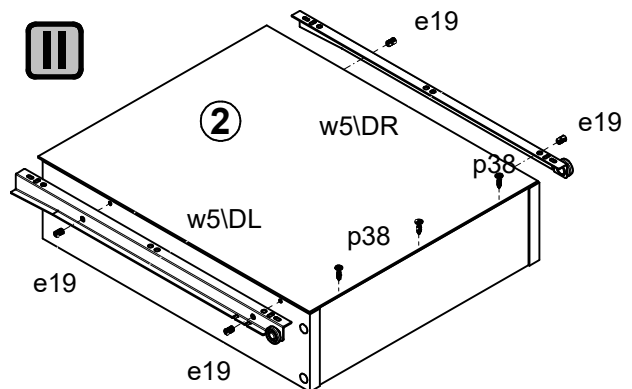


4

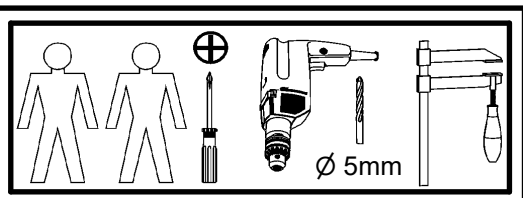
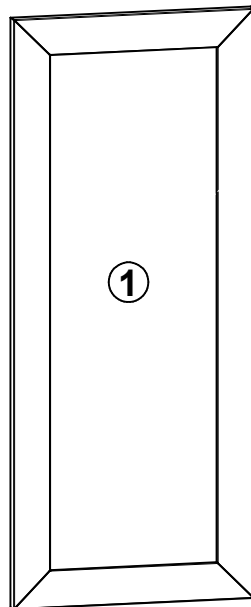
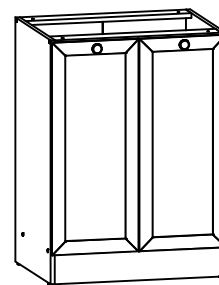
I



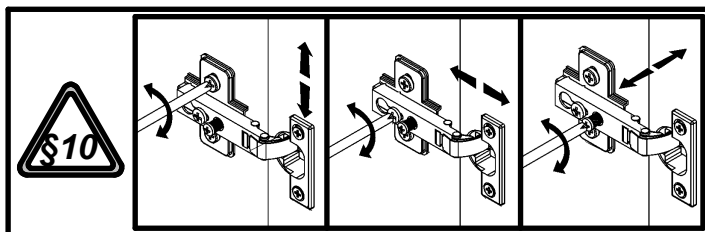
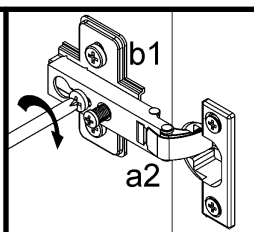
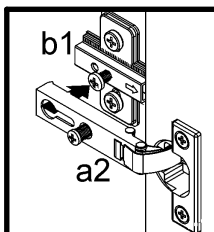
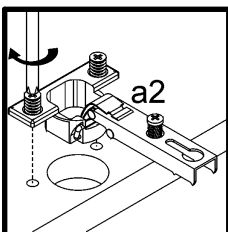
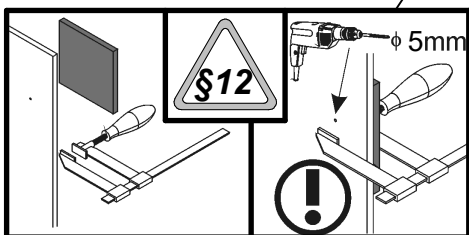
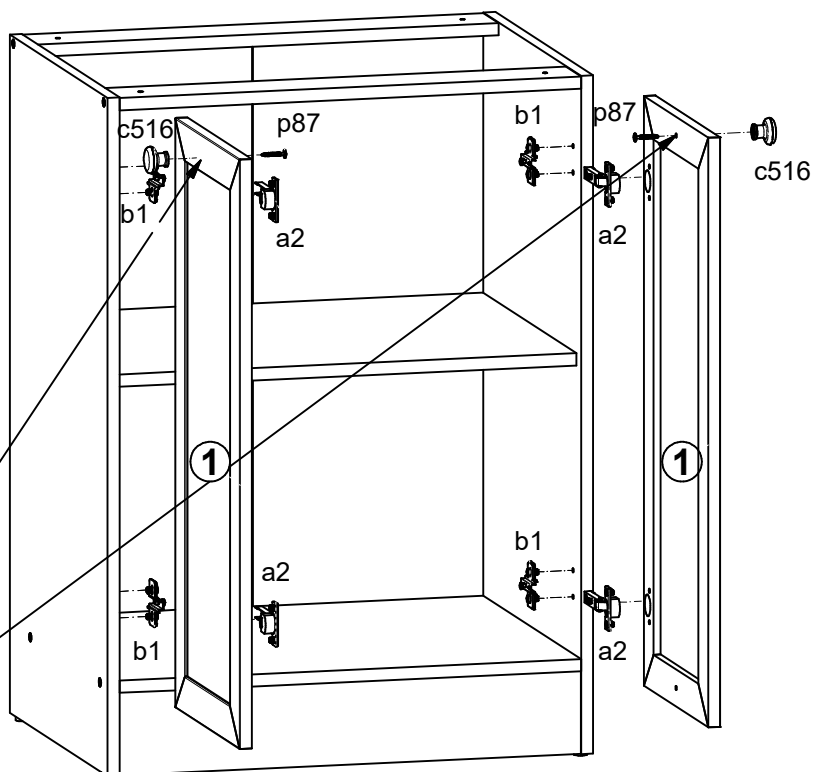
II



A	B	C	D
K24-D2D/60/82			
1	K24-0112	713	296 2/2
Moduł B			
1	K24-0112	713	296 2/2



1



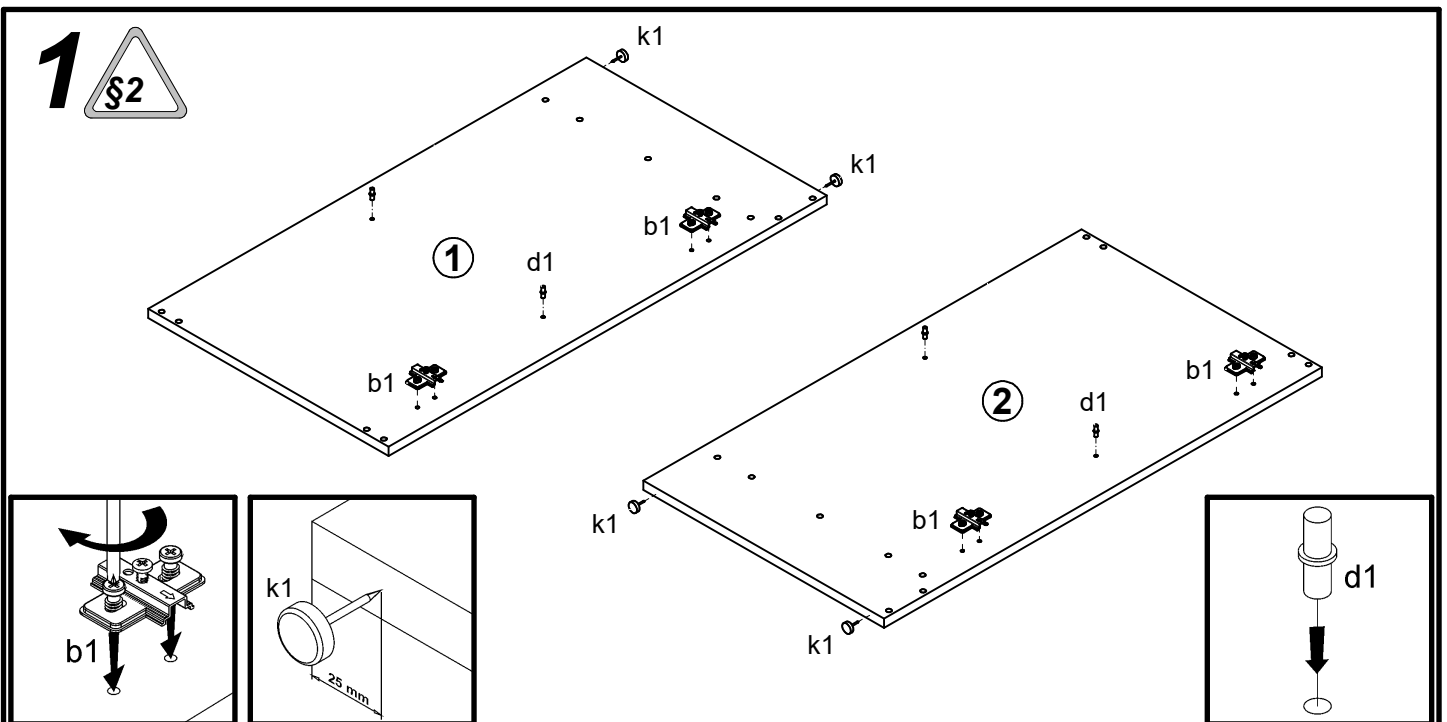
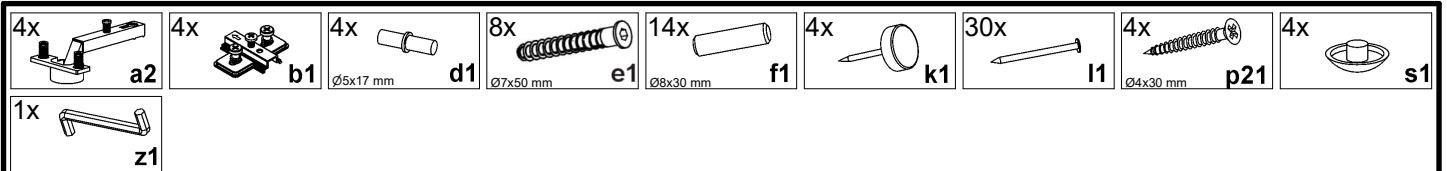
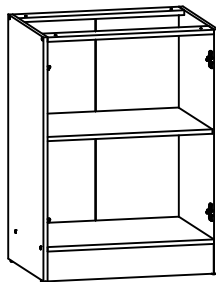
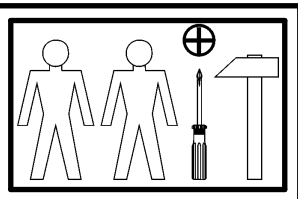
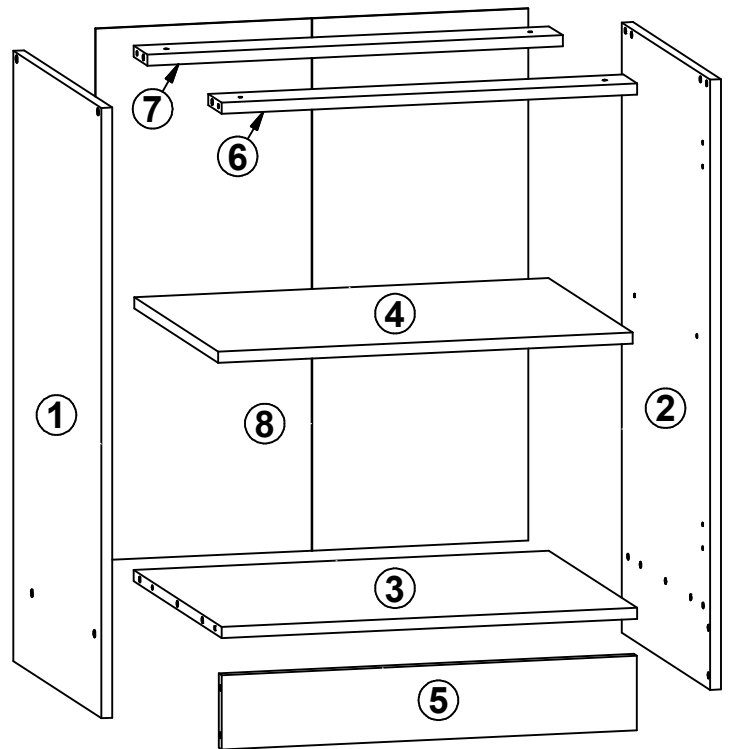
Junona Line

K24-D2D/60/82 Moduł B , B + A2

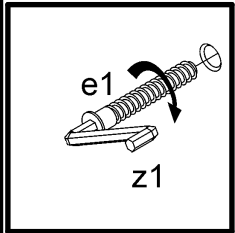
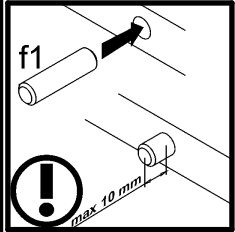
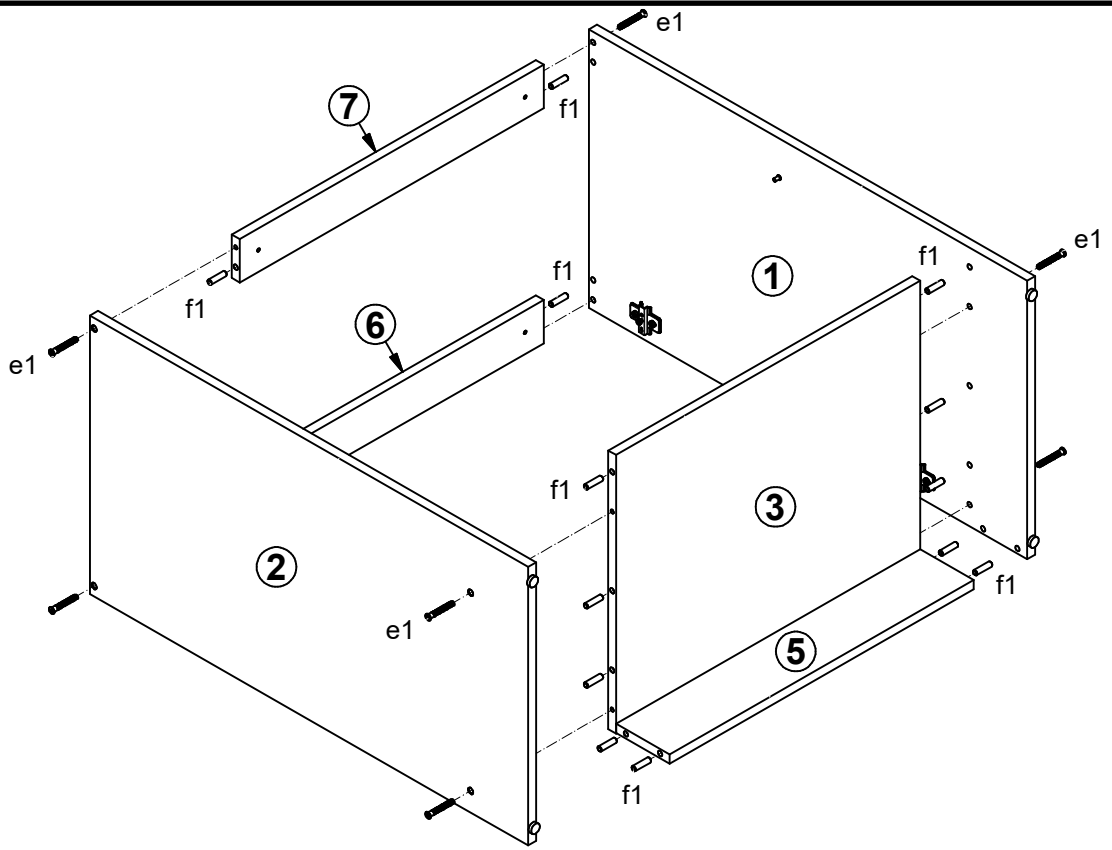
A	B	C	D	
K24-D2D/60/82				
1	K24-107	820	450	1/2
2	K24-108	820	450	1/2
3	K24-341	569	450	1/2
4	K24-342	568	430	1/2
5	K24-423	569	100	1/2
6	K24-424	569	70	1/2
7	K24-425	569	70	1/2
8	K22-926	715	593	1/2



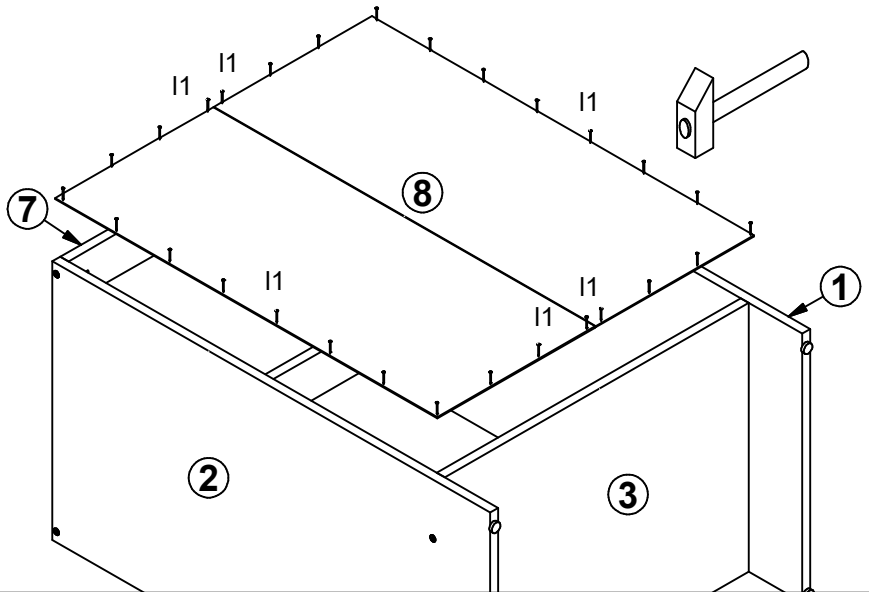
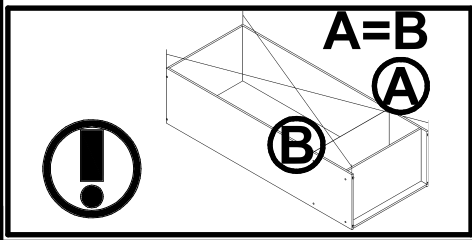
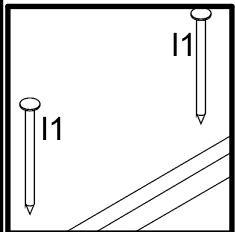
Moduł B , B + A2				
1	K24-107	820	450	1/2
2	K24-108	820	450	1/2
3	K24-341	569	450	1/2
4	K24-342	568	430	1/2
5	K24-423	569	100	1/2
6	K24-424	569	70	1/2
7	K24-425	569	70	1/2
8	K22-926	715	593	1/2



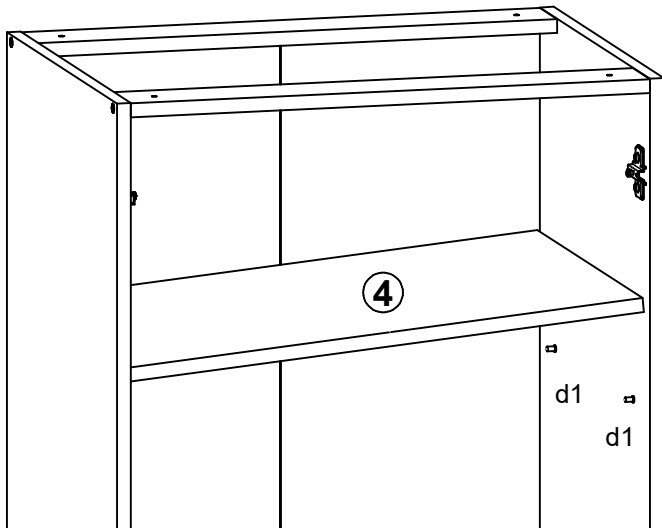
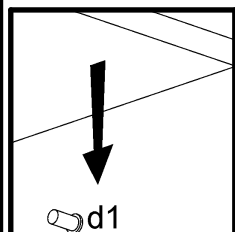
2



3



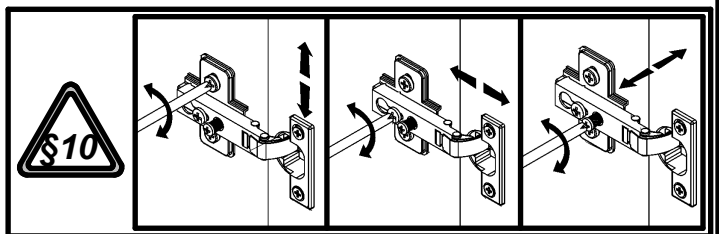
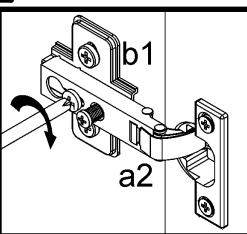
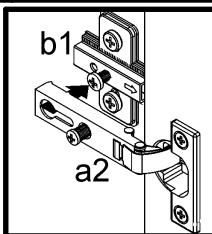
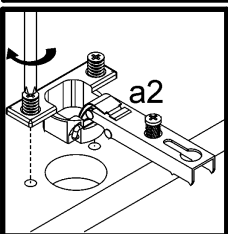
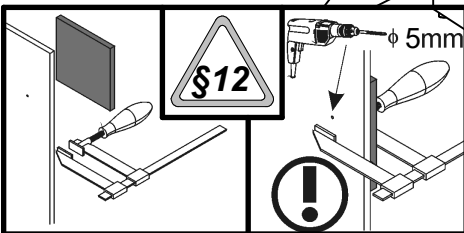
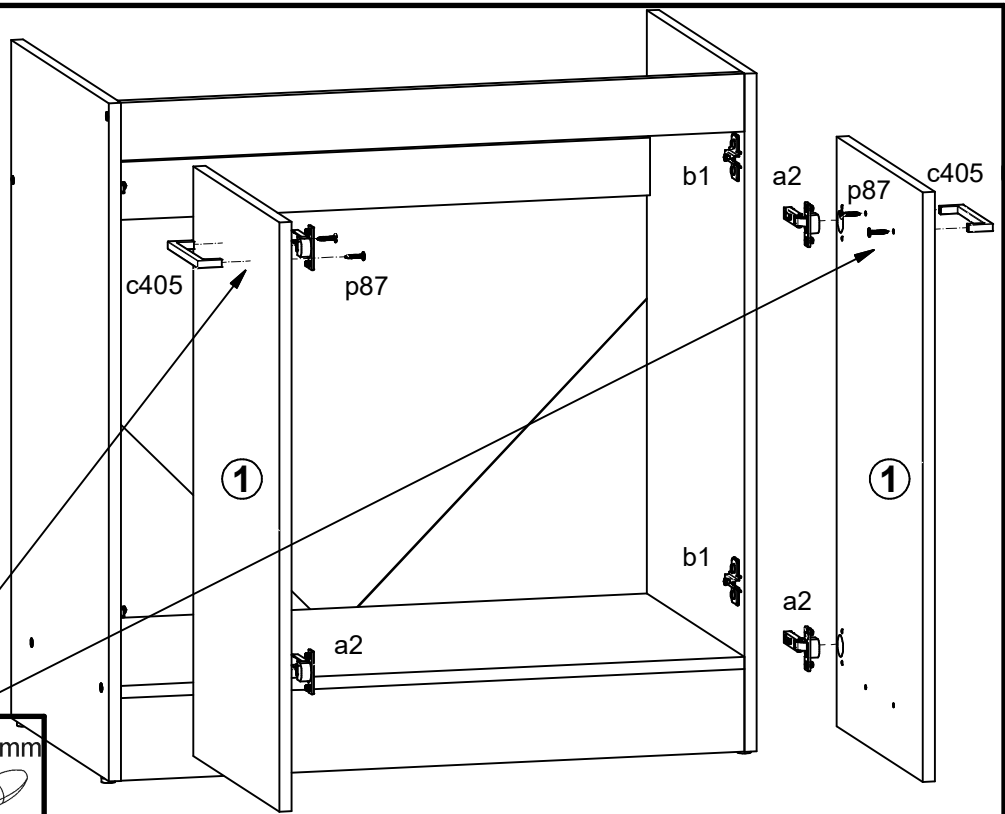
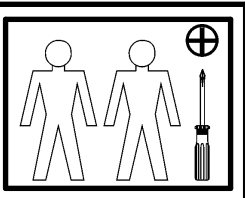
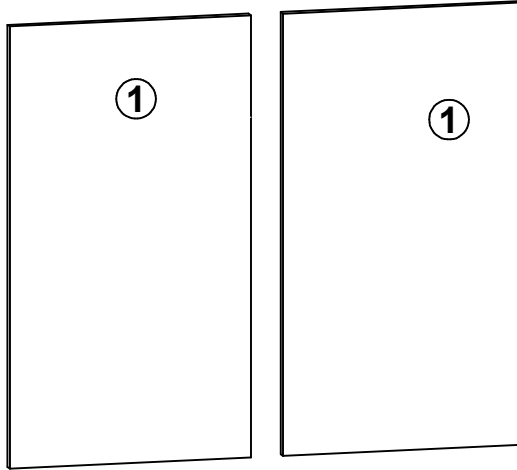
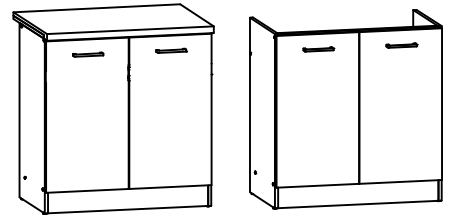
4



Junona Line

K24-DK2D/80/82 K24-D2D/80/82 Moduł A,A+A1,G,G+A1

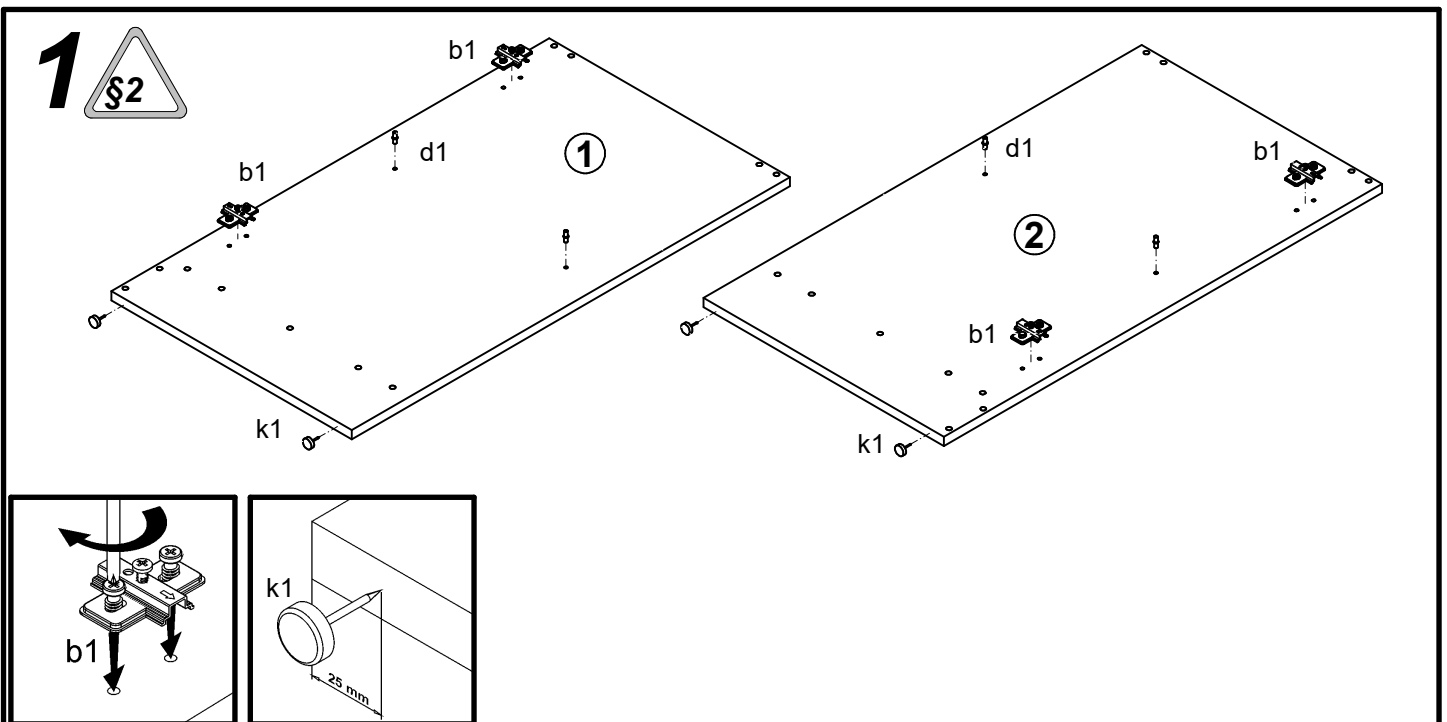
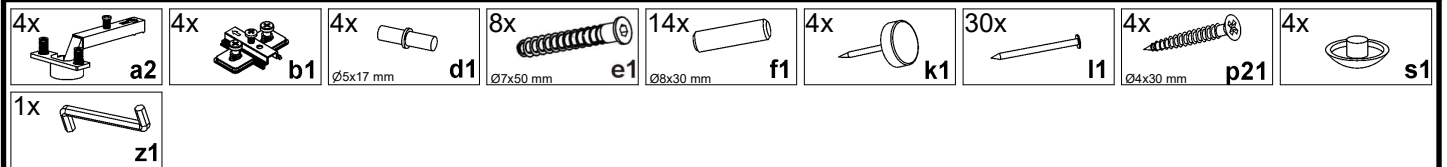
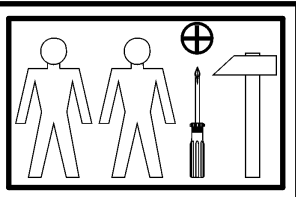
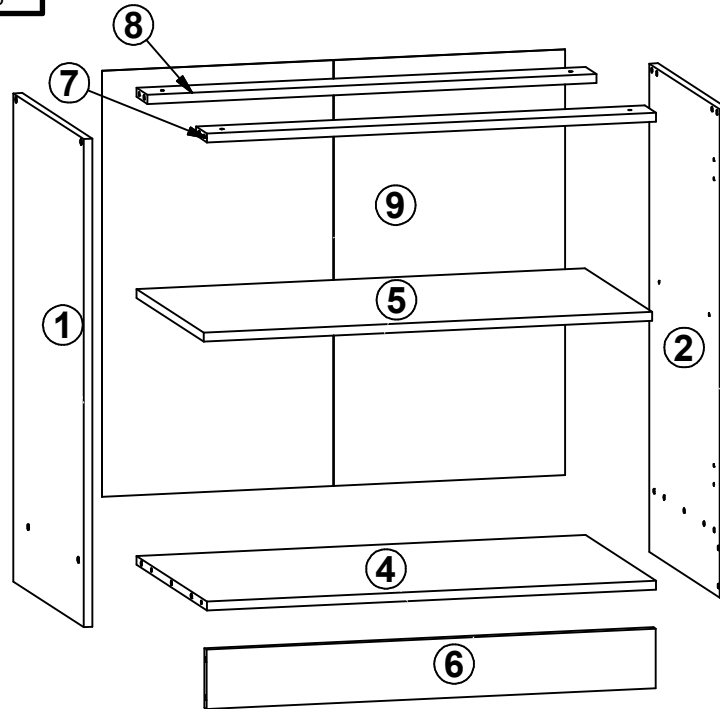
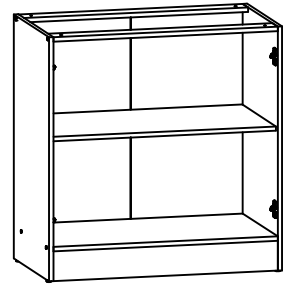
A	B	C	D
K24-DK2D/80/82 K24-D2D/80/82			
1	K24-0101_ A	396	713 2/2
Moduł A,A+A1,G,G+A1			
1	K24-0101_ A	396	713 3/3



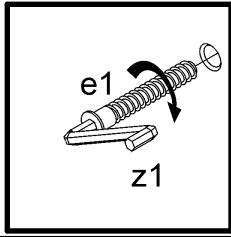
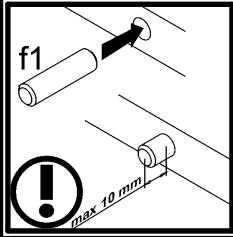
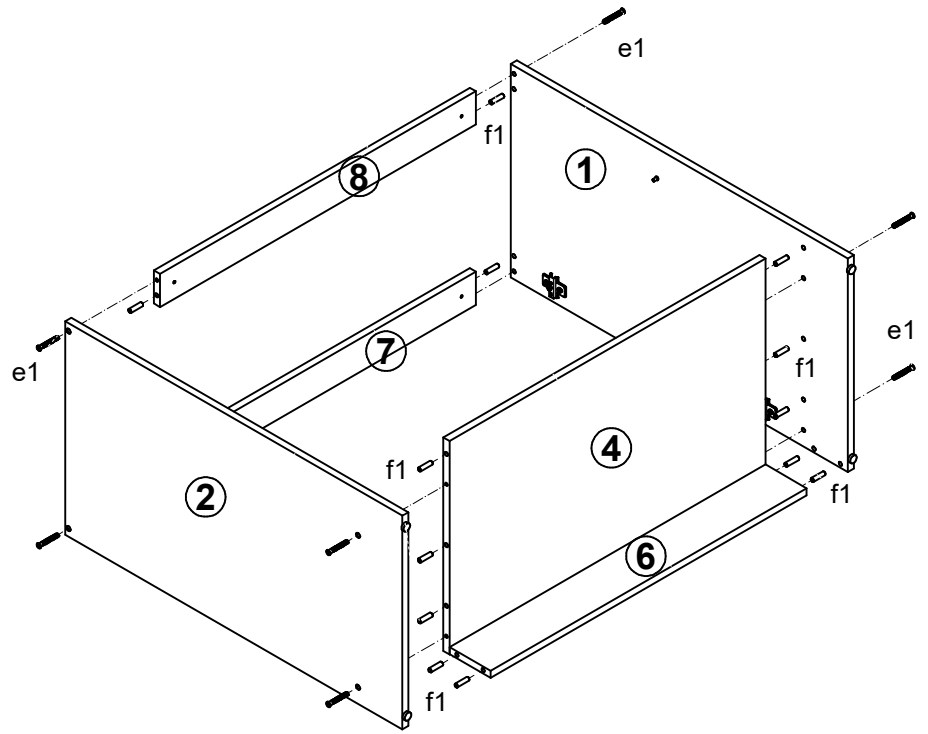
Junona Line

K24-D2D/80/82

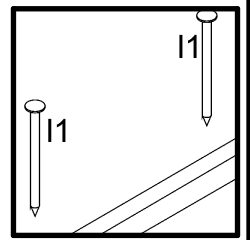
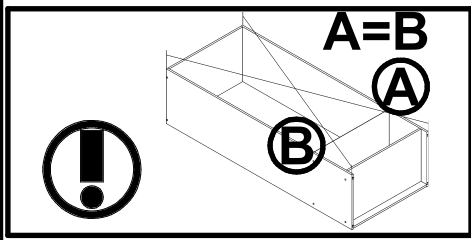
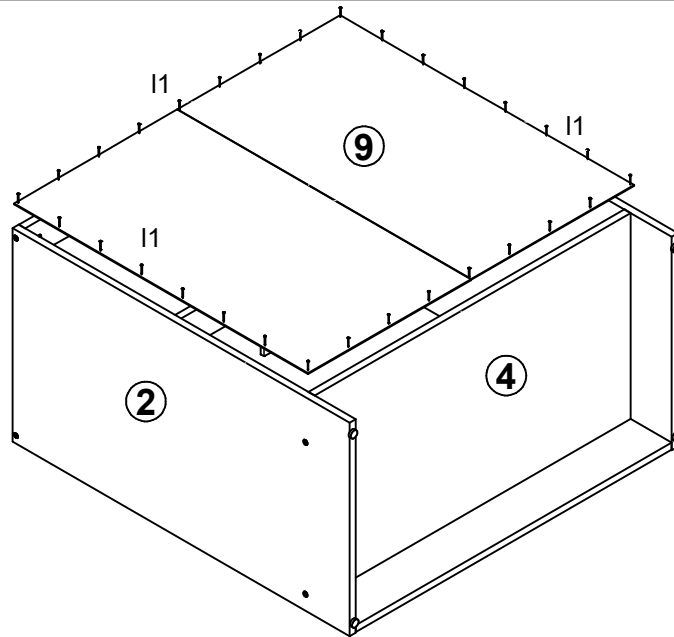
A	B	C	D
1	K24-107	820	450 1/3
2	K24-108	820	450 1/3
3	K24-205	800	600 2/3
4	K24-327	769	450 1/3
5	K24-333	768	430 1/3
6	K24-417	769	100 1/3
7	K24-419	769	70 1/3
8	K24-420	769	70 1/3
9	K22-921	715	793 1/3



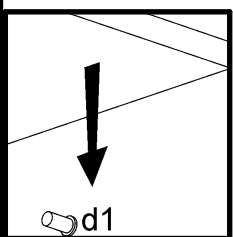
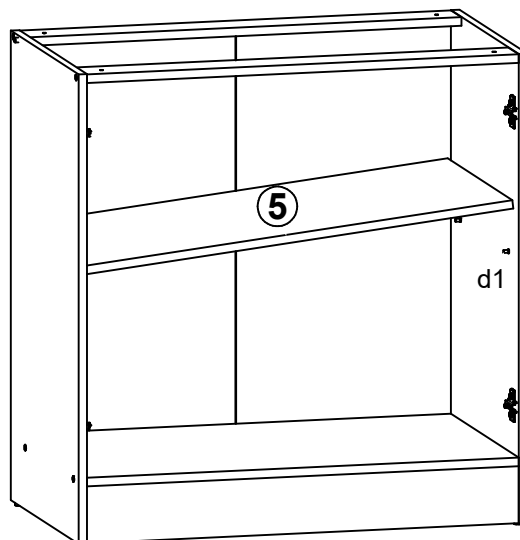
2 



3



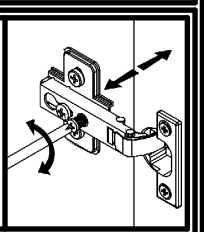
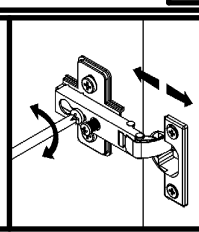
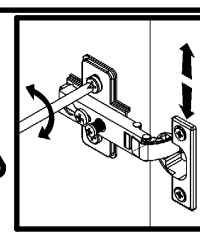
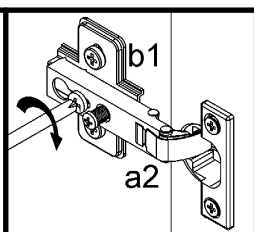
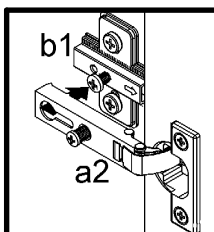
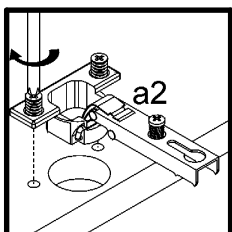
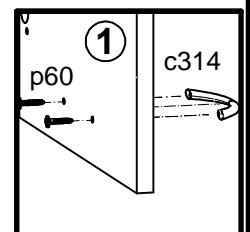
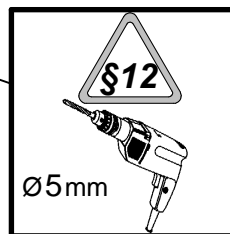
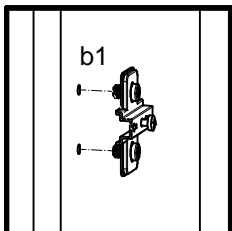
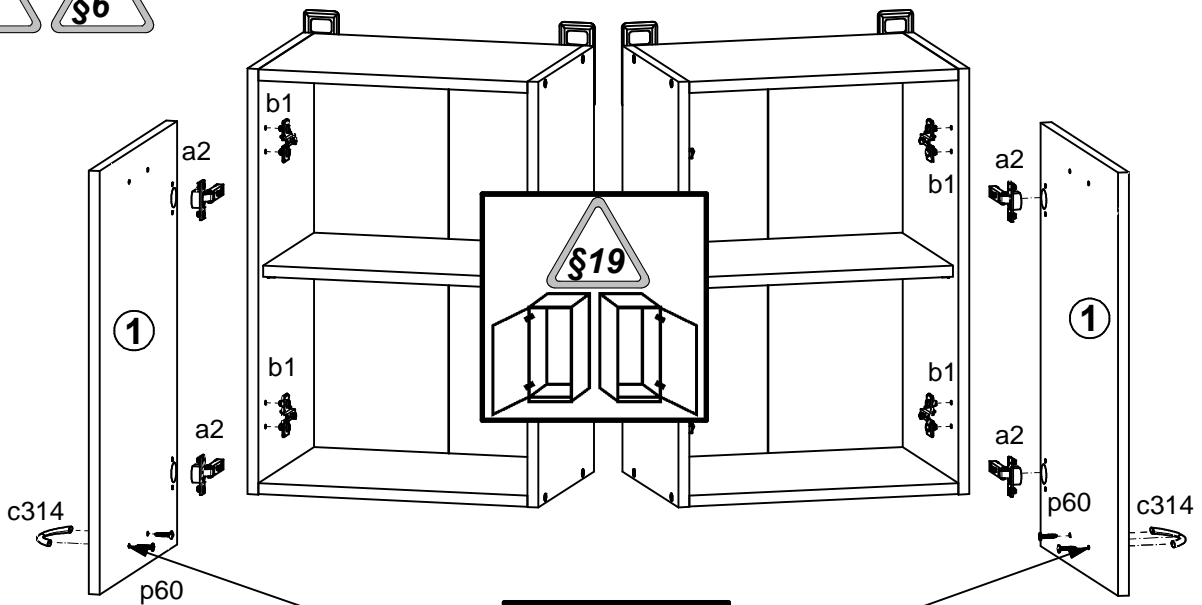
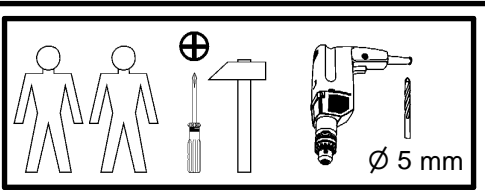
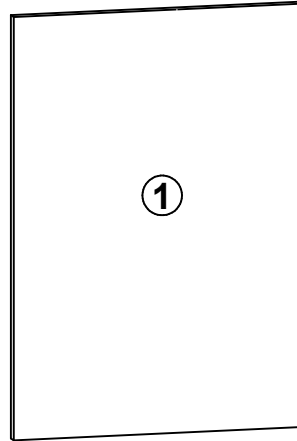
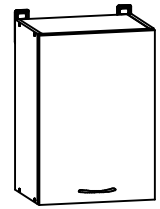
4



Junona Line

K22-G1D/40/57-LP

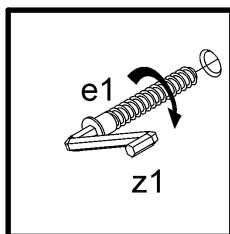
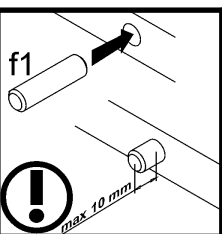
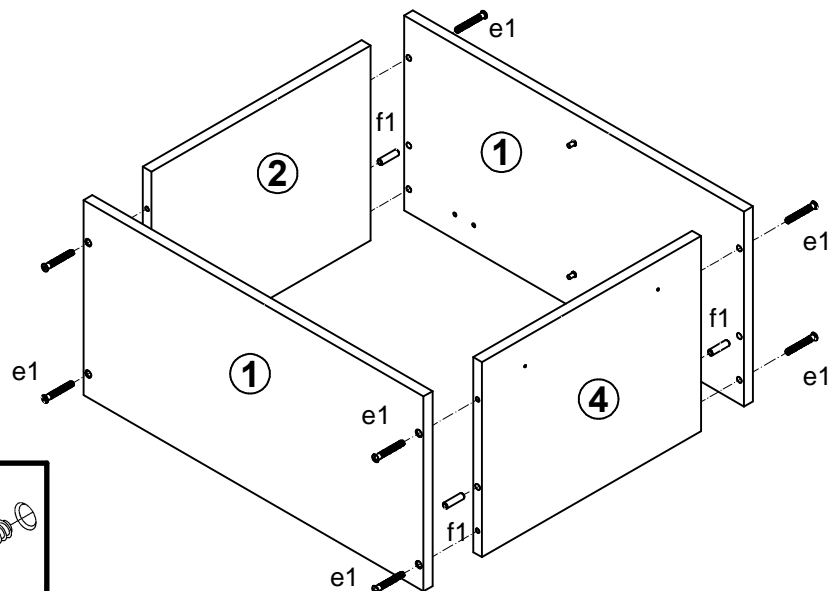
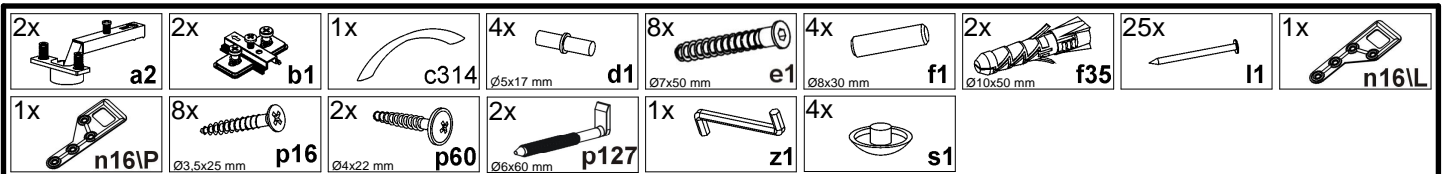
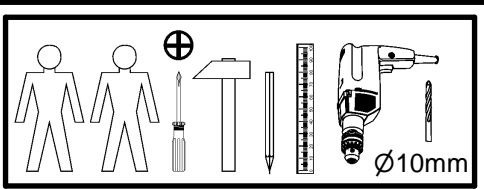
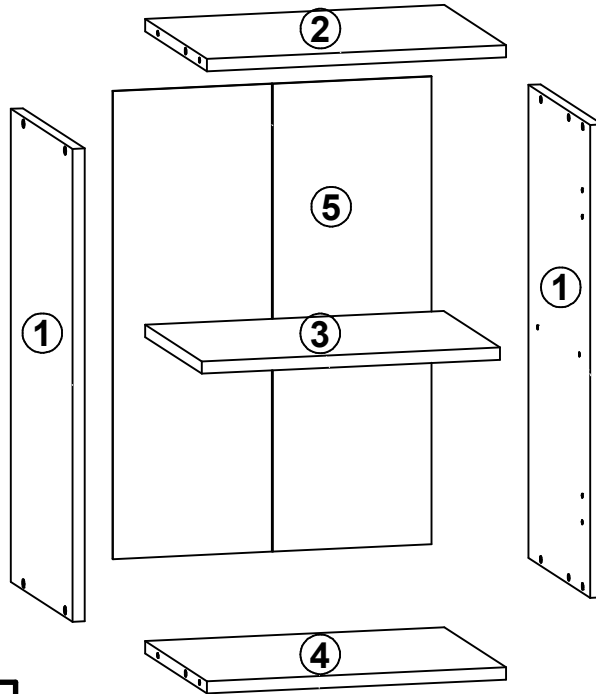
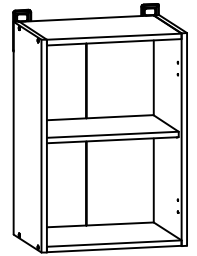
A	B	C	D
1	K22-029	396	570
			2/2



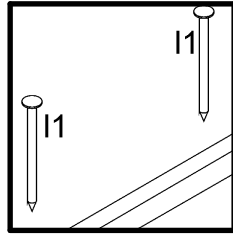
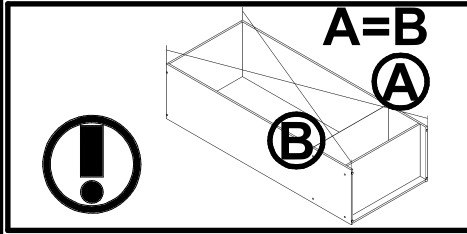
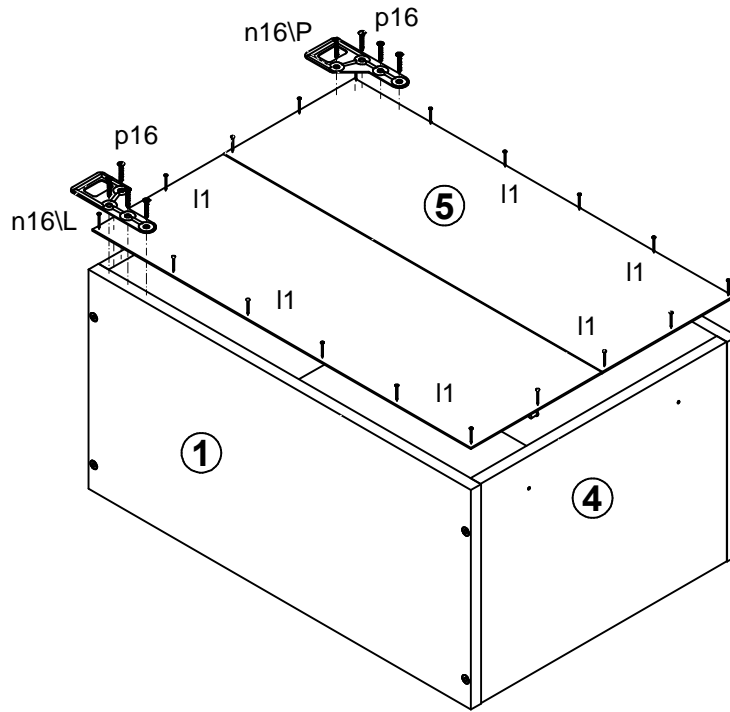
Junona Line

K22-G1D/40/57-LP

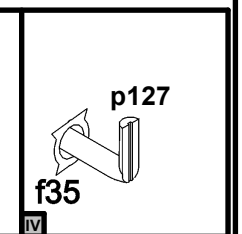
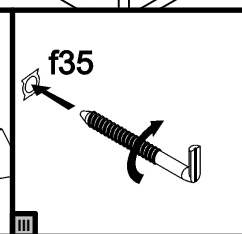
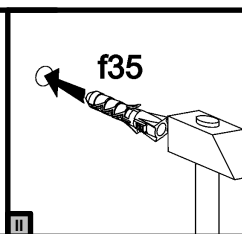
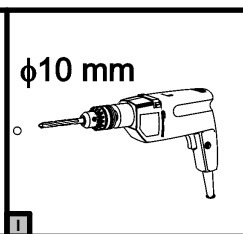
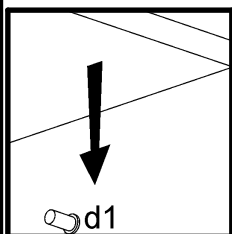
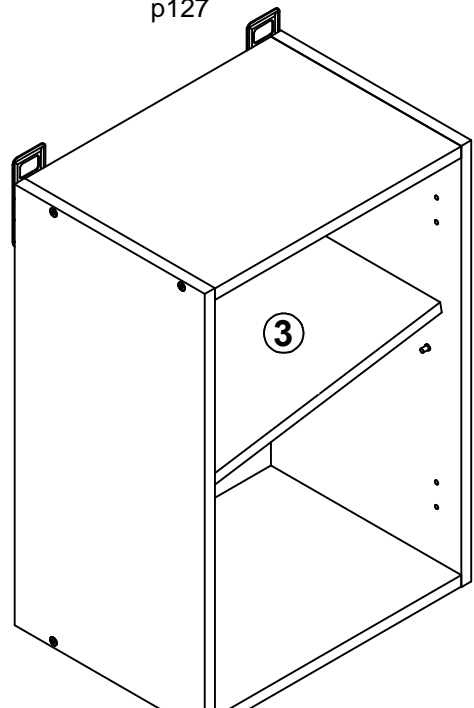
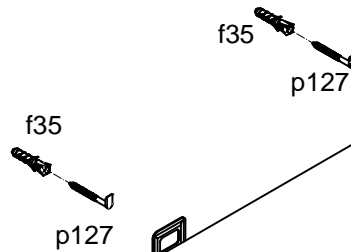
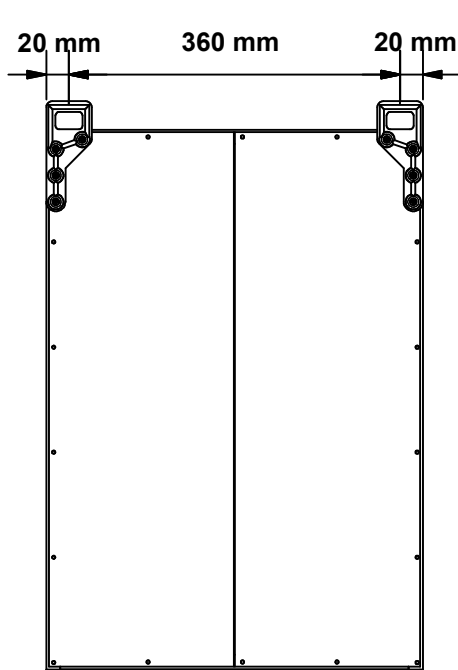
A	B	C	D
1	K22-101	573	285
2	K22-311	369	285
3	K22-312	368	260
4	K22-323	369	285
5	K22-908	567	393



2 §6



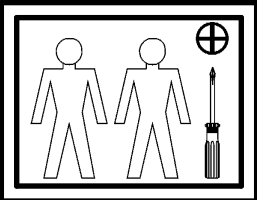
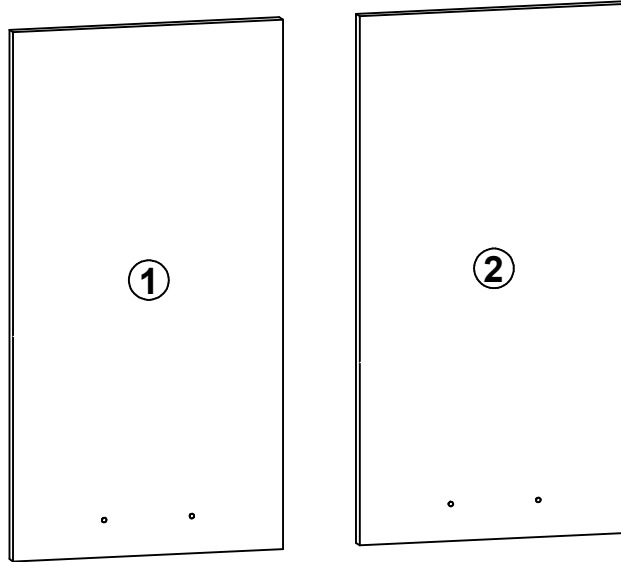
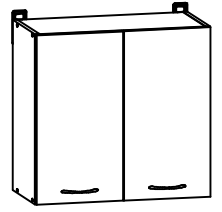
3



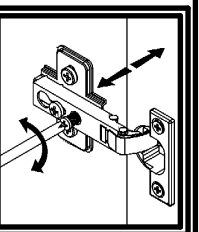
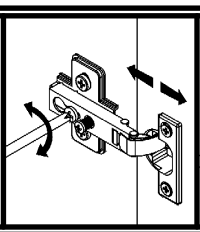
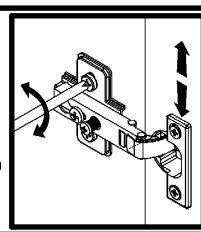
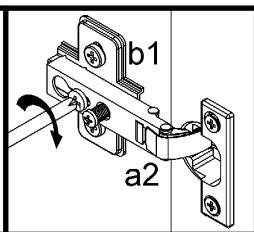
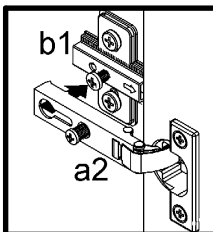
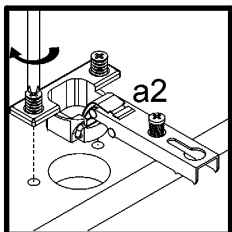
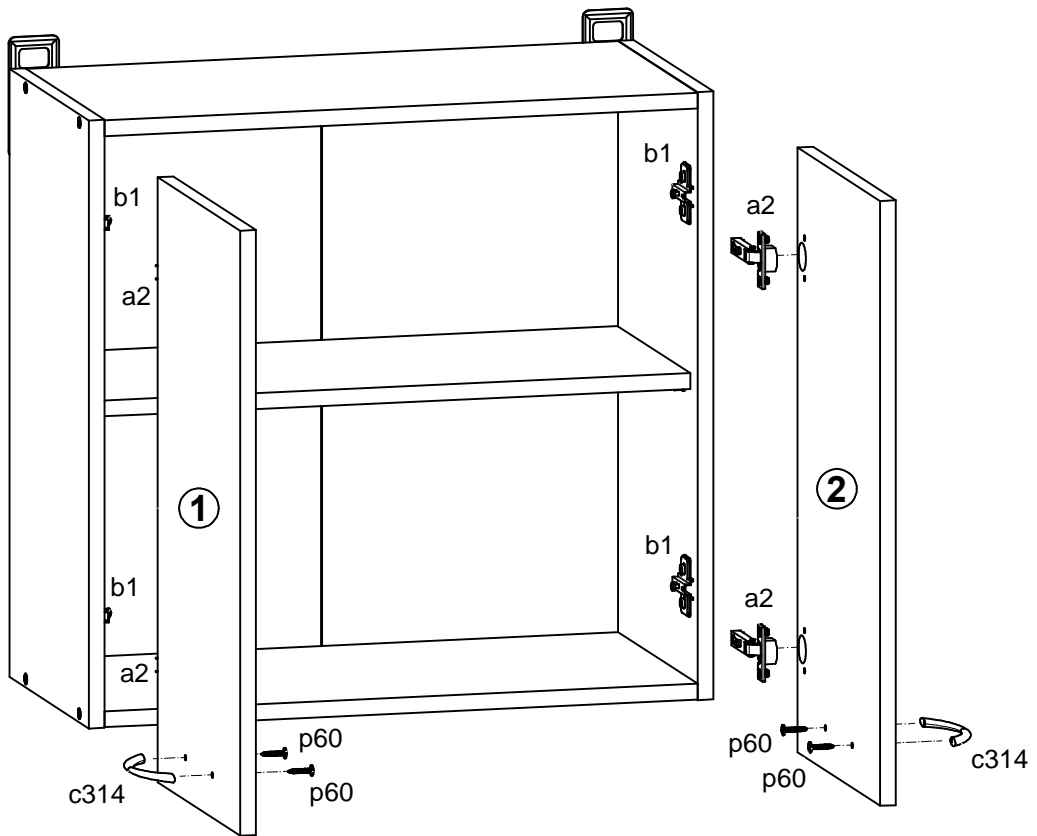
Junona Line

K22-G2D/60/57

A	B	C	D
1	K22-037	296	570
2	K22-038	296	570



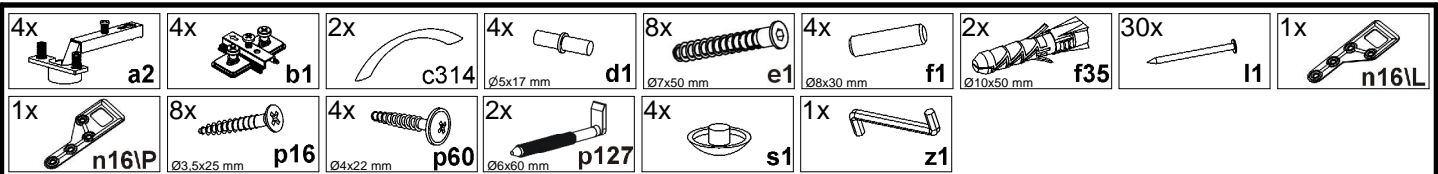
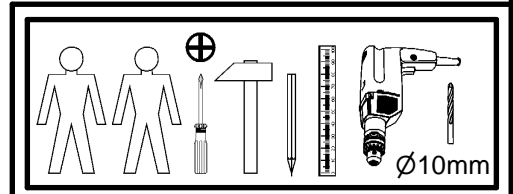
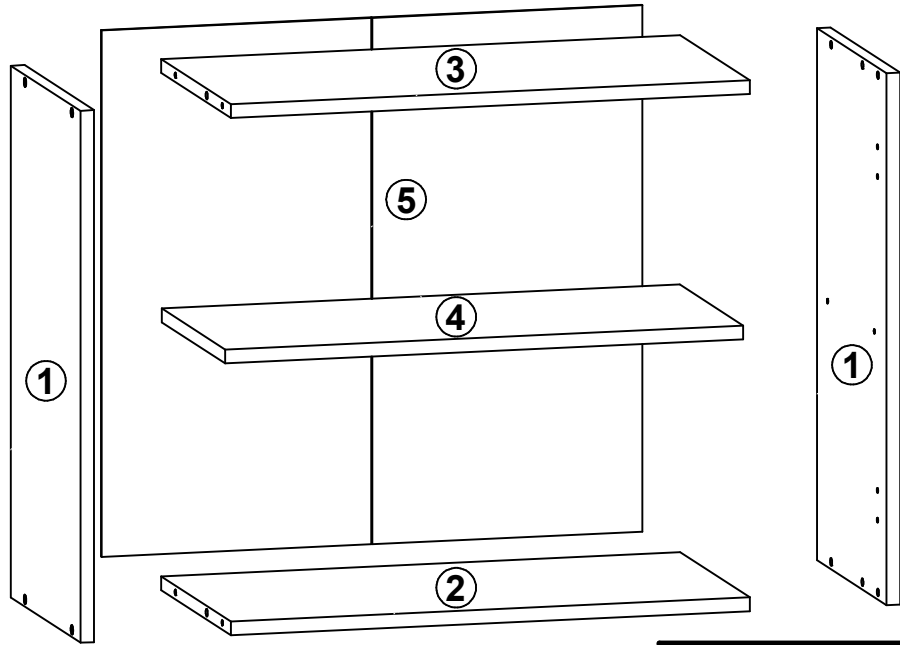
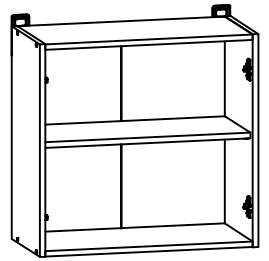
1



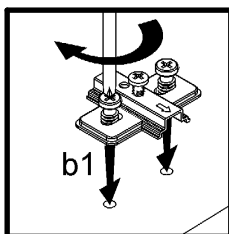
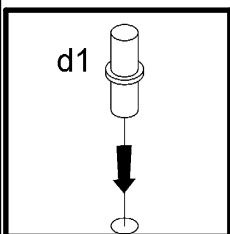
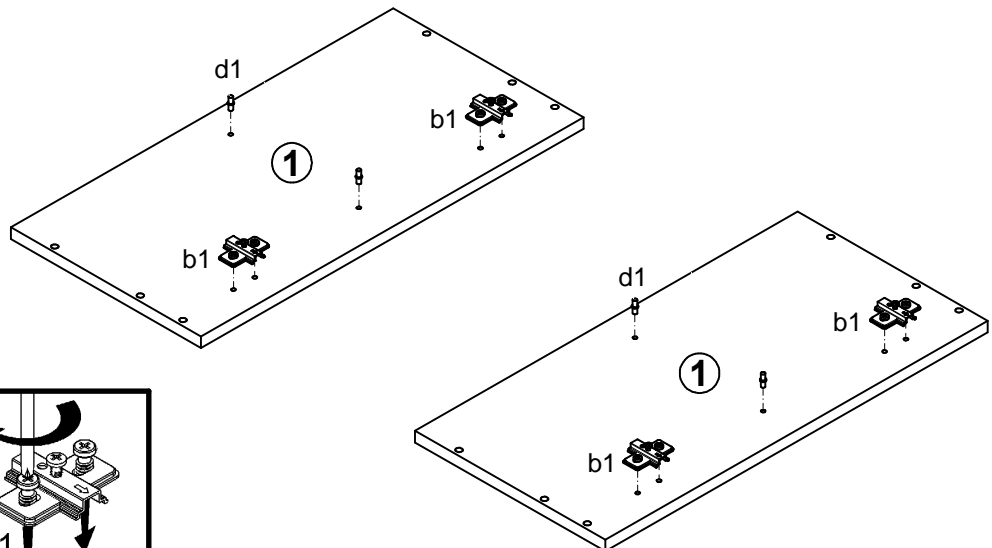
Junona Line

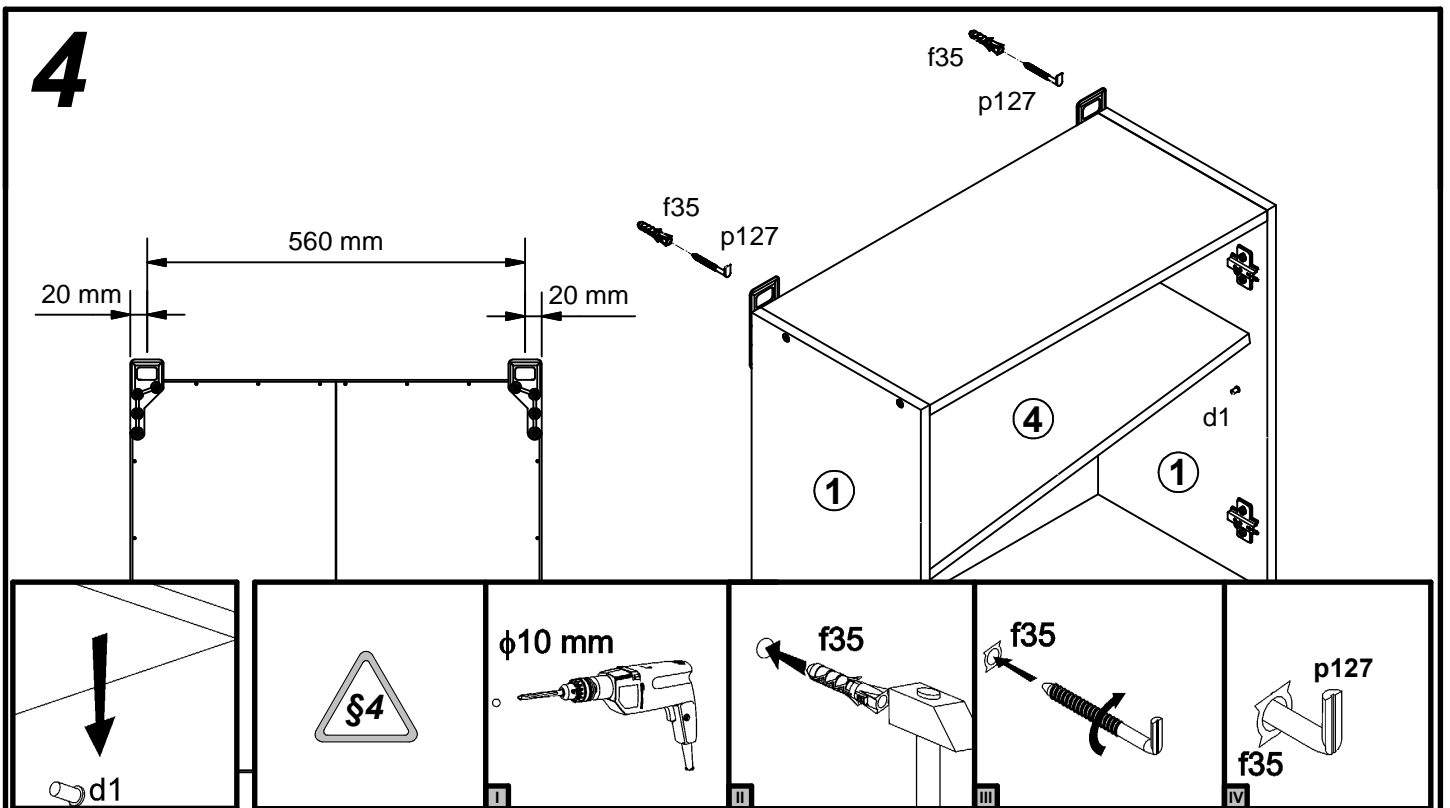
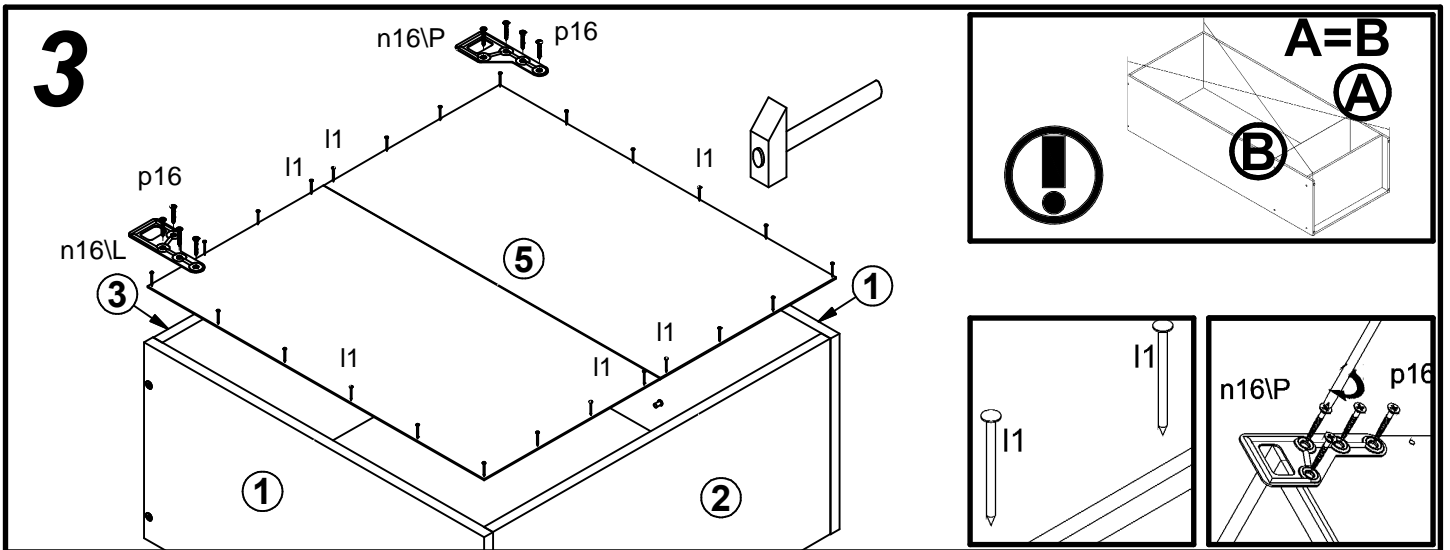
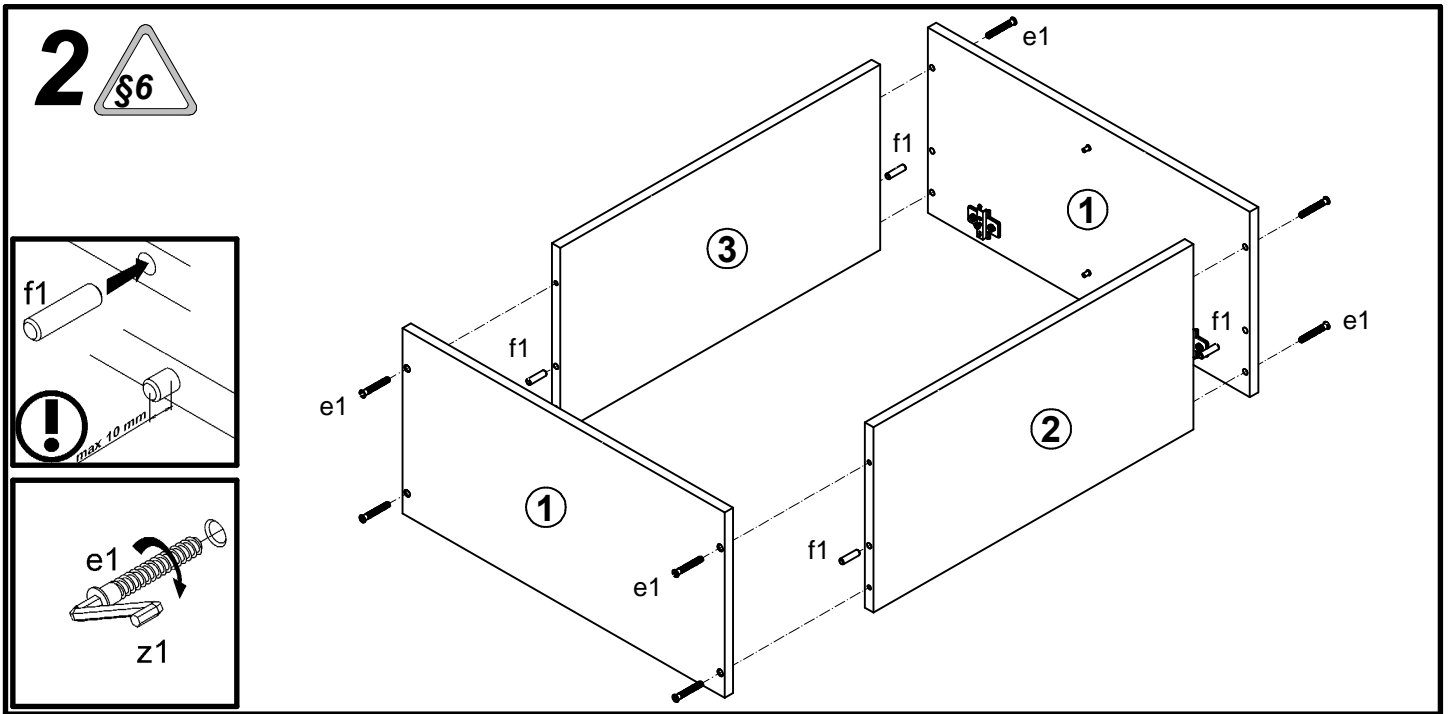
K22-G2D/60/57

A	B	C	D	
1	K22-101	573	285	1/2
2	K22-330	569	285	1/2
3	K22-343	569	285	1/2
4	K22-344	568	260	1/2
5	K22-927	567	593	1/2

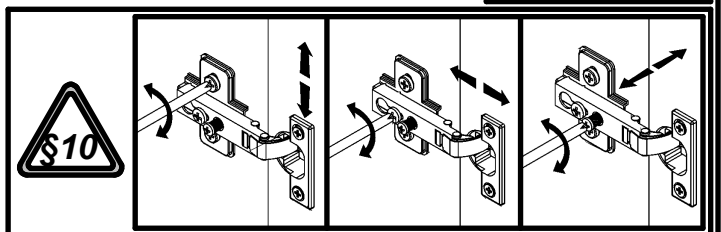
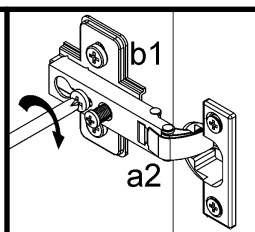
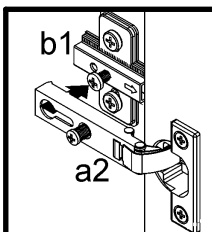
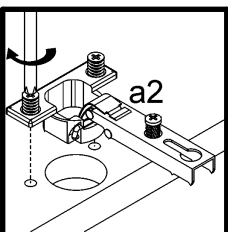
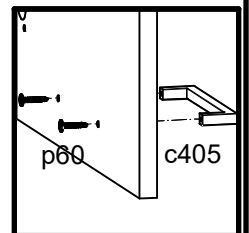
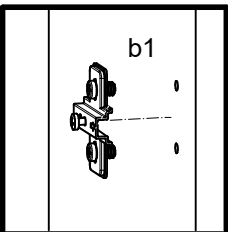
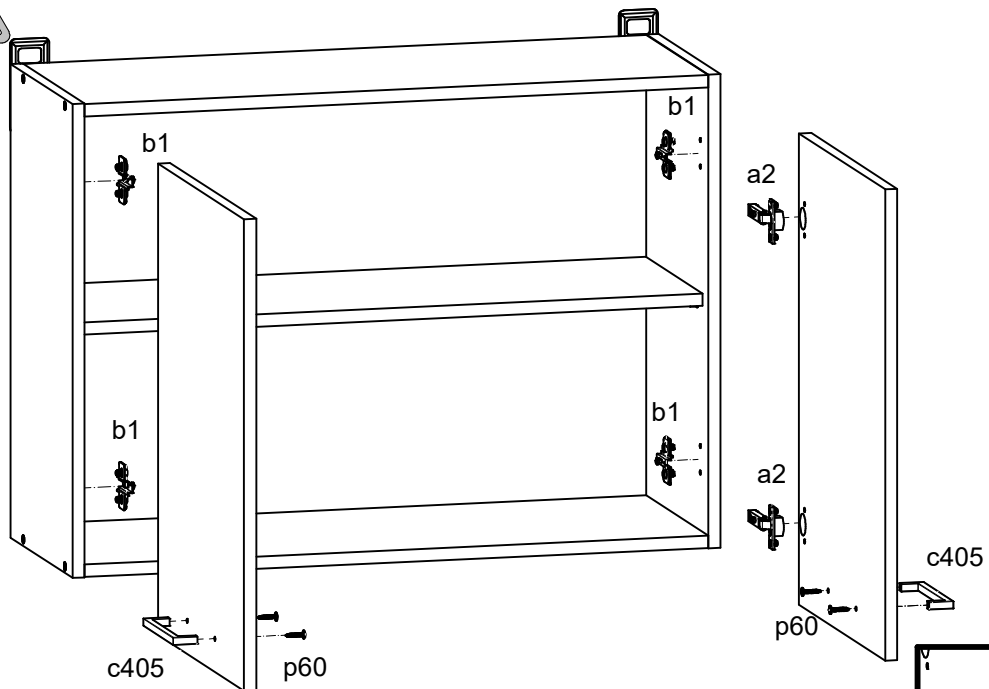
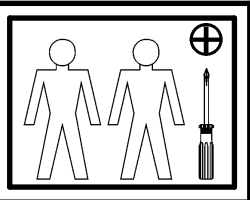
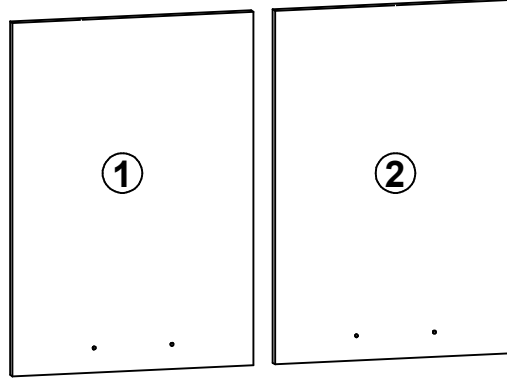
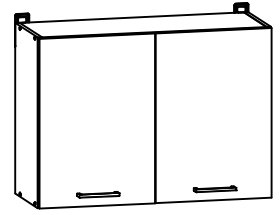


1 §2





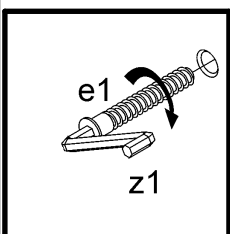
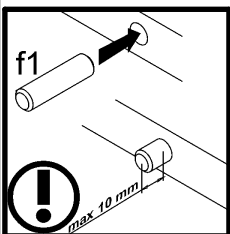
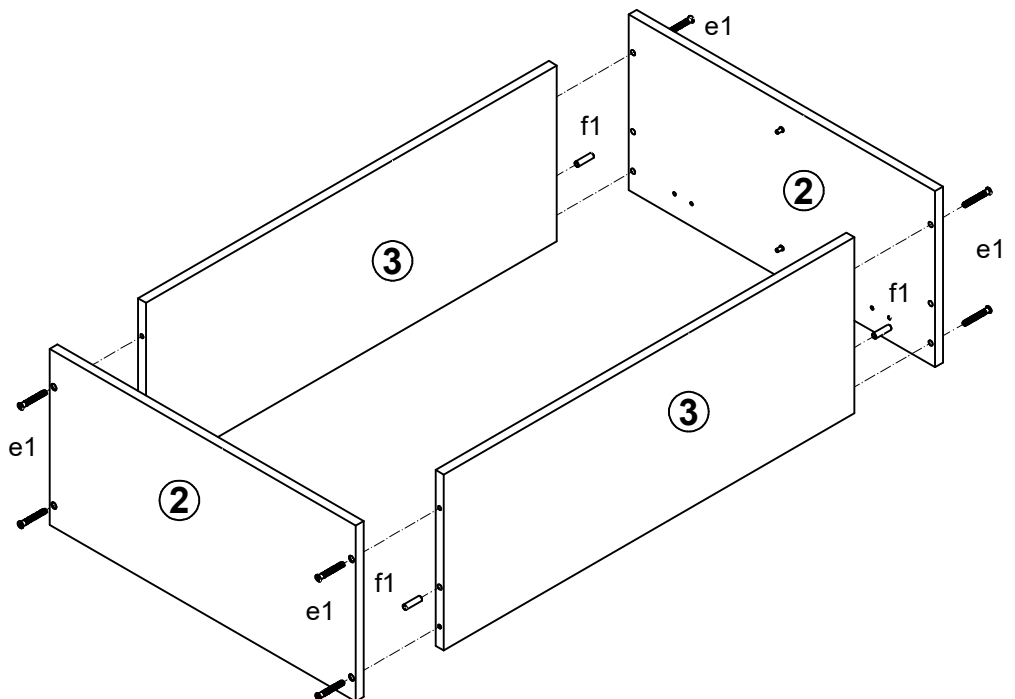
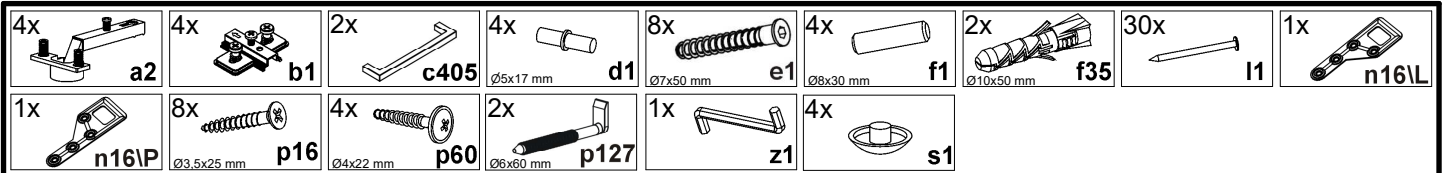
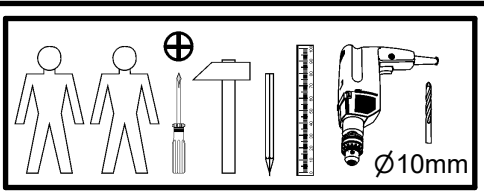
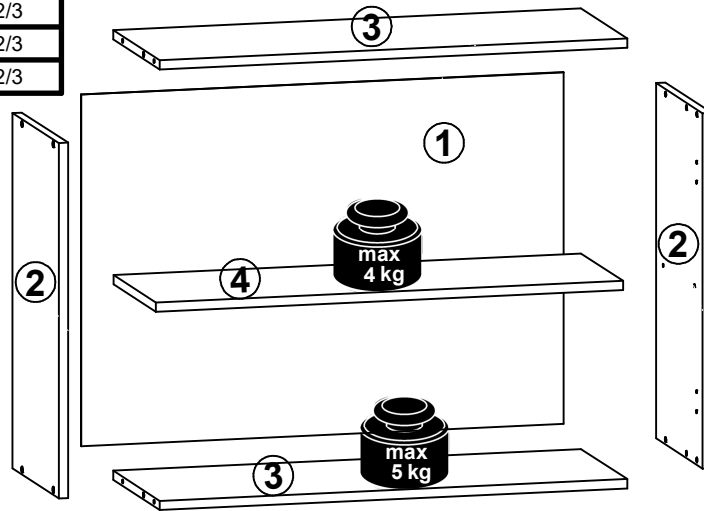
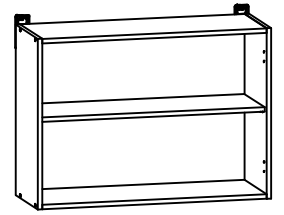
A	B	C	D
K24-G1D/40/57-LP			
1	K24-008	396	570 2/2
2	K24-013	396	570 2/2
Moduł G,G+A1			
1	K24-008	396	570 3/3
2	K24-013	396	570 3/3



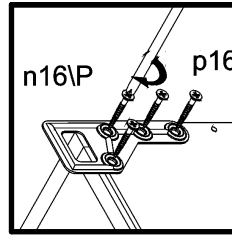
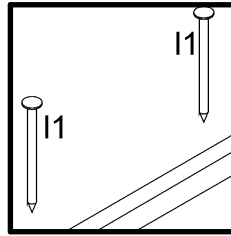
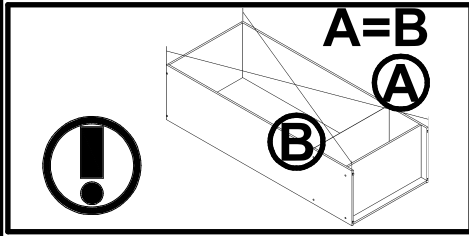
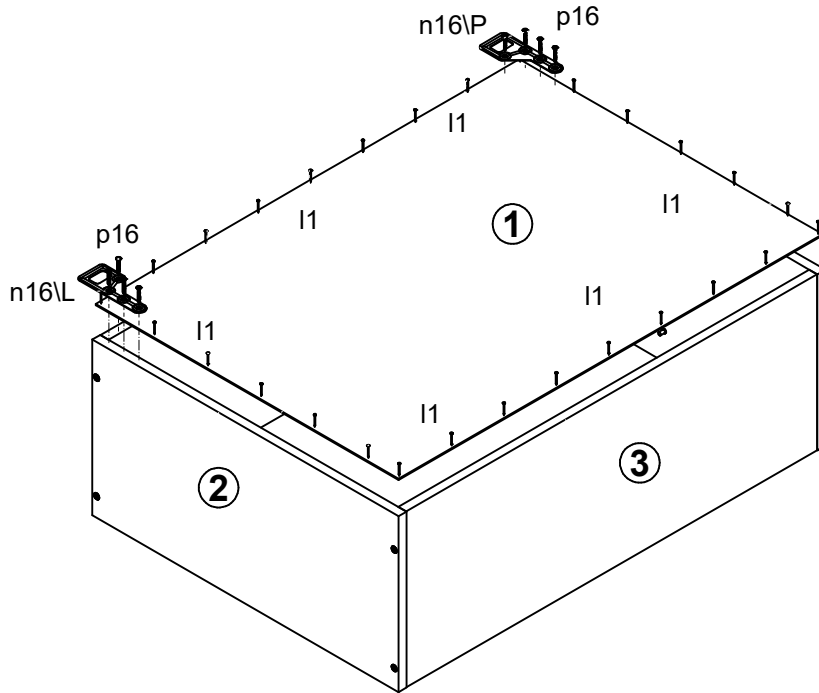
Junona Line

K24-G2D/80/57 Moduł G , G + A1

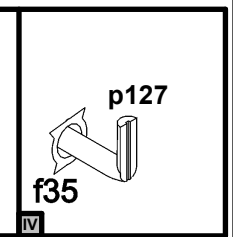
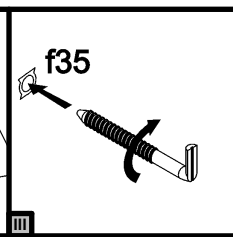
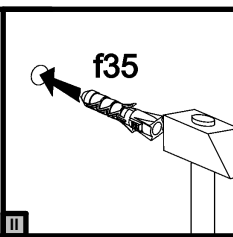
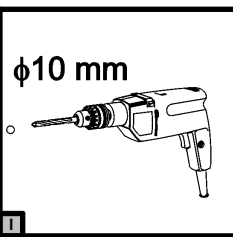
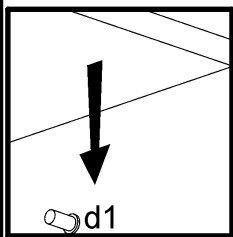
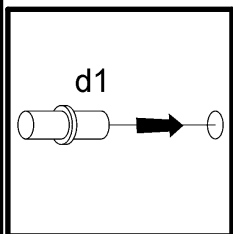
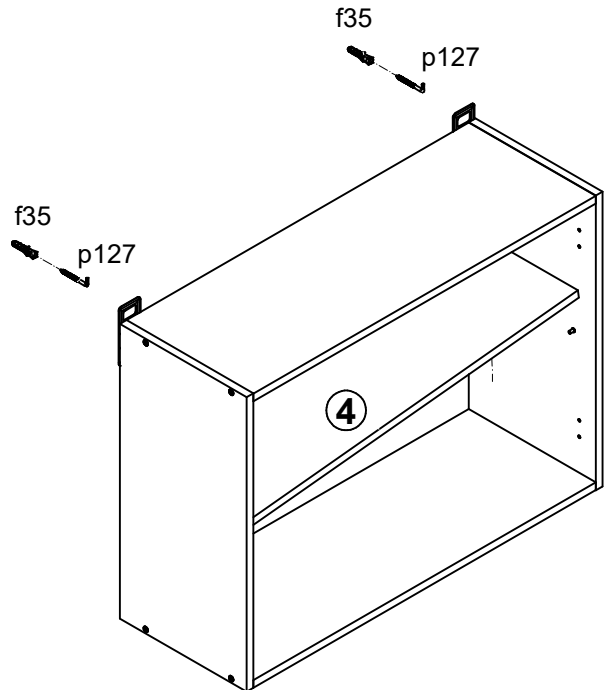
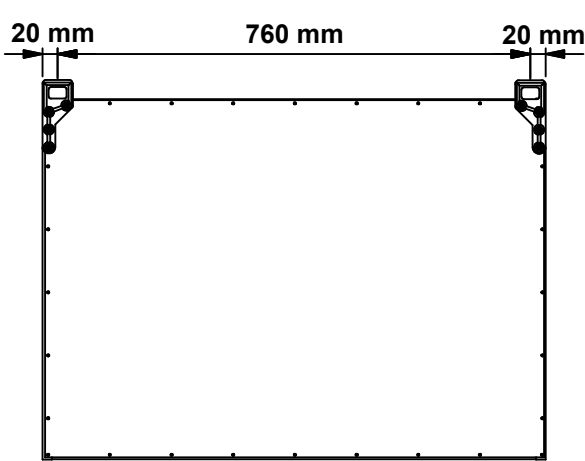
A	B	C	D	
K24-G2W/80/57				
1	K22-919	567	793	1/2
2	K24-101	573	285	1/2
3	K24-328	769	285	1/2
4	K24-329	768	260	1/2
Moduł G , G + A1				
1	K22-919	567	793	2/3
2	K24-120	573	285	2/3
3	K24-328	769	285	2/3
4	K24-329	768 <td 260	2/3	



2 §6



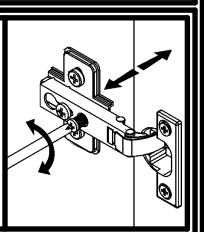
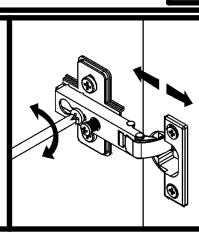
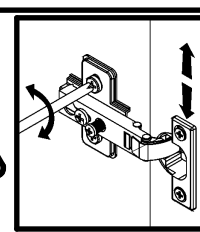
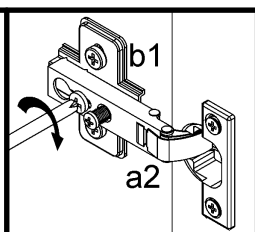
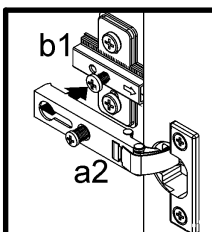
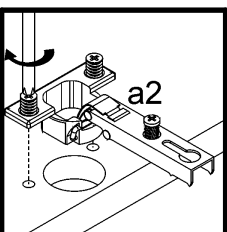
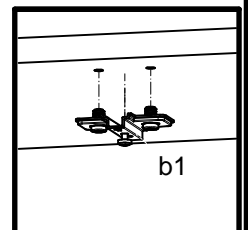
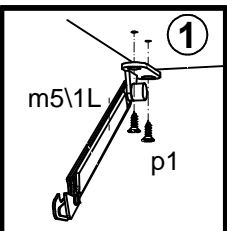
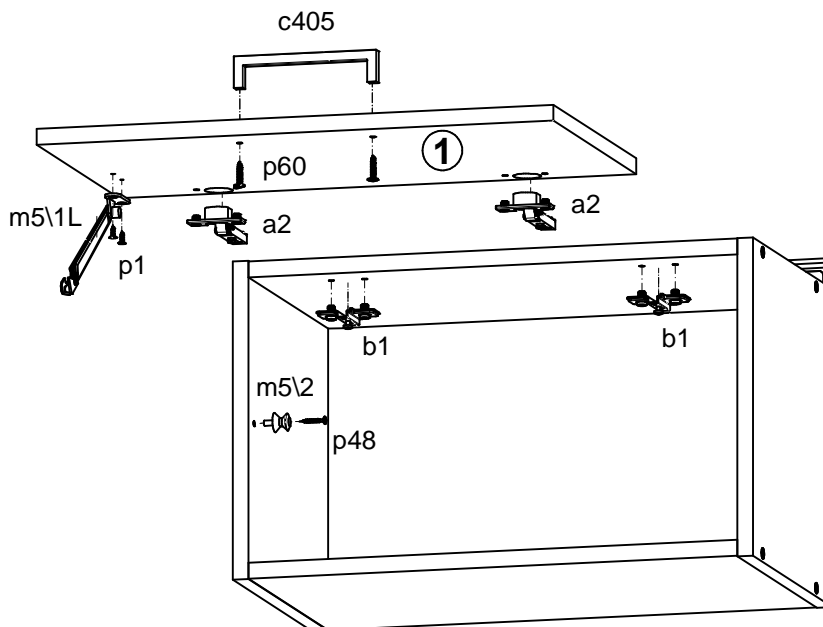
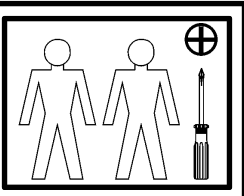
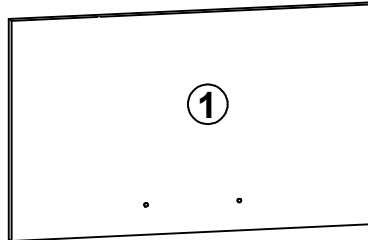
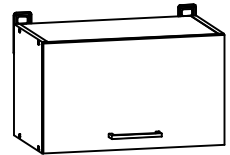
3



Junona Line

K24-GO/50/30

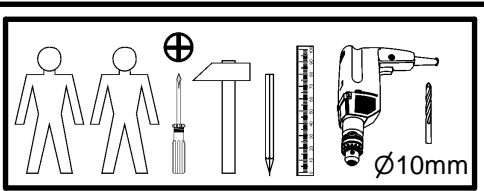
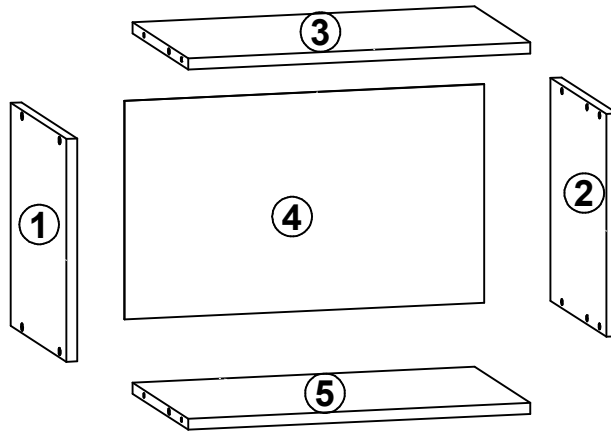
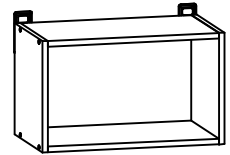
A	B	C	D
1	K24-035	496	296 2/2



Junona Line

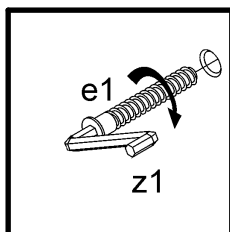
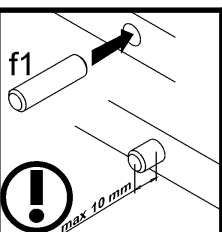
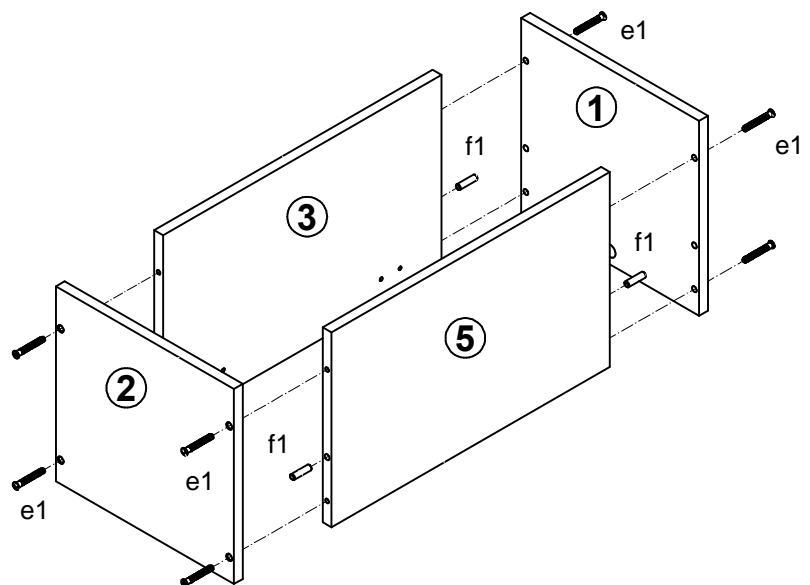
K24-GO/50/30

A	B	C	D	
4	K22-924	493	294	1/2
1	K24-118	300	285	1/2
2	K24-119	300	285	1/2
5	K24-314	469	285	1/2
3	K24-335	469	285	1/2

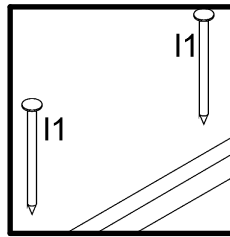
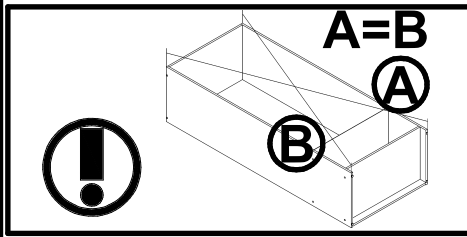
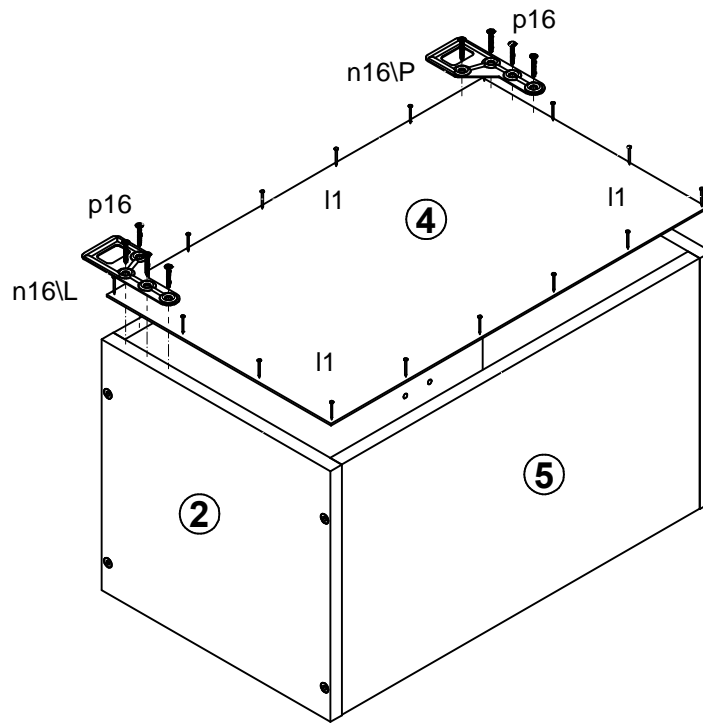


2x 	2x 	1x 	8x Ø7x50 mm	4x Ø8x30 mm	2x Ø10x50 mm	20x 	1x 	1x
1x 	1x 	2x Ø3.5x13 mm	8x Ø3.5x25 mm	2x Ø4x22 mm	2x Ø6x60 mm	1x Ø3x25 mm	1x 	4x

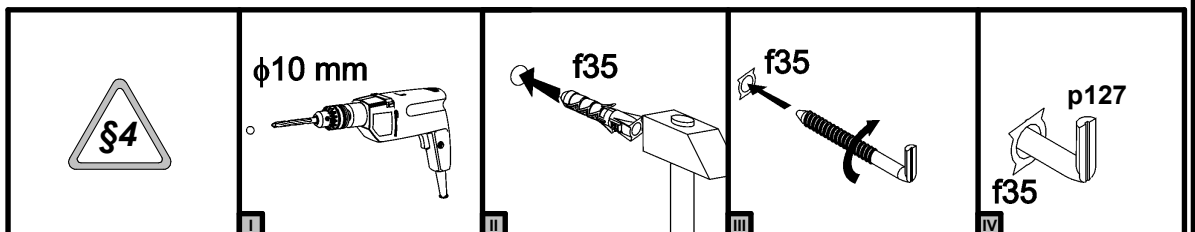
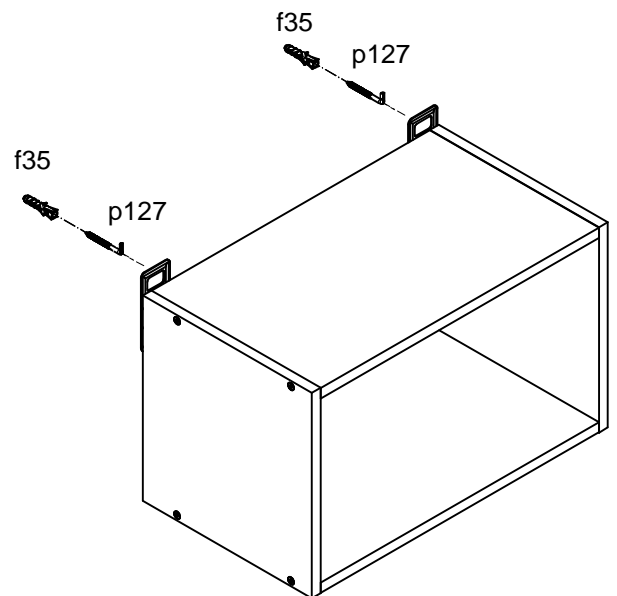
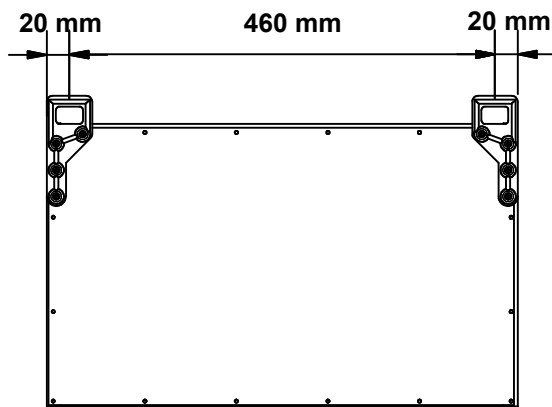
1 §2



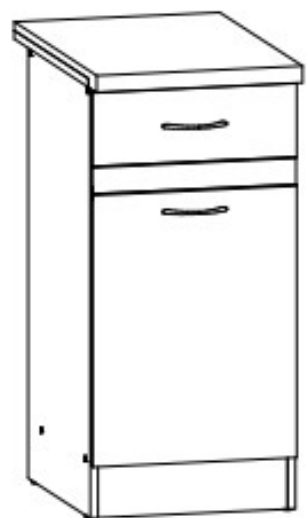
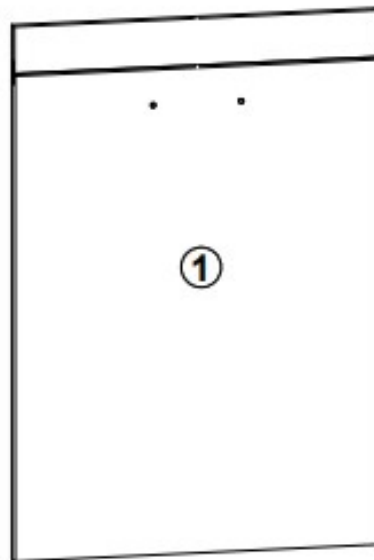
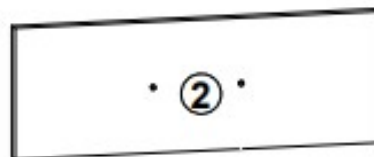
2 §6



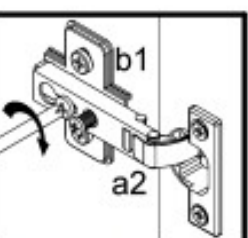
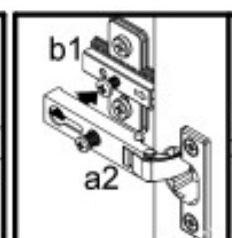
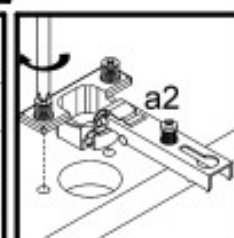
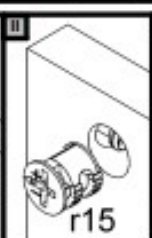
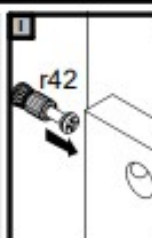
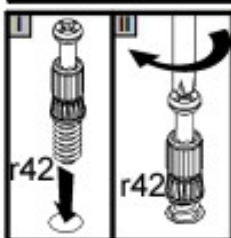
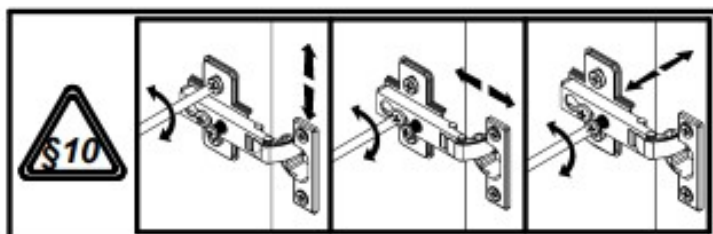
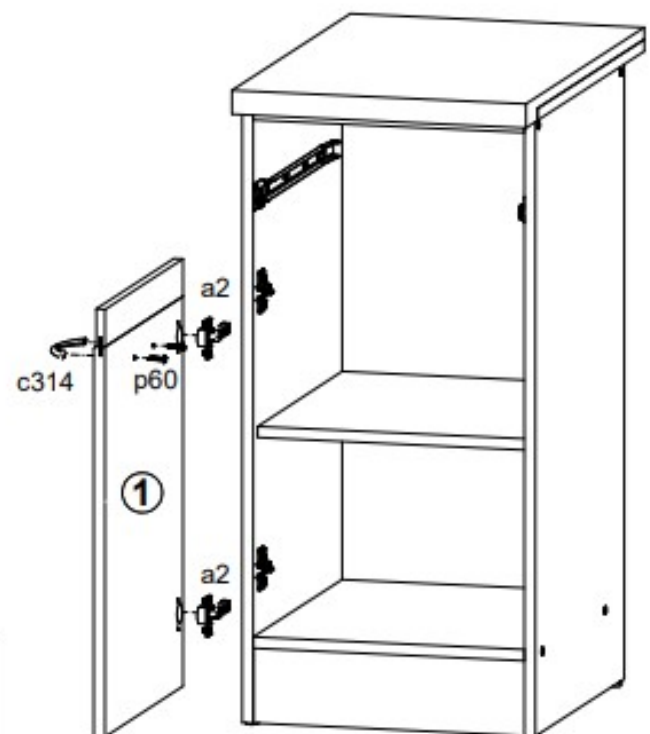
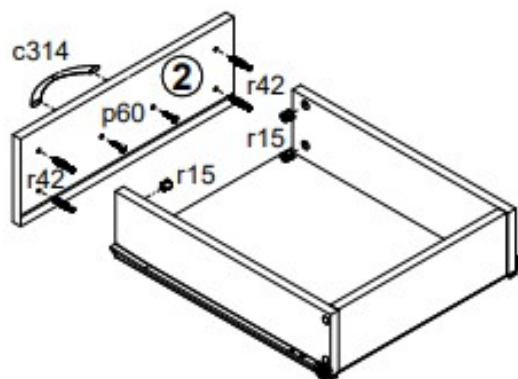
3



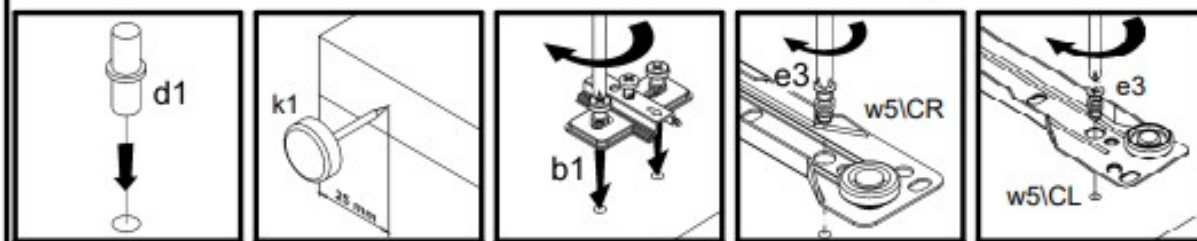
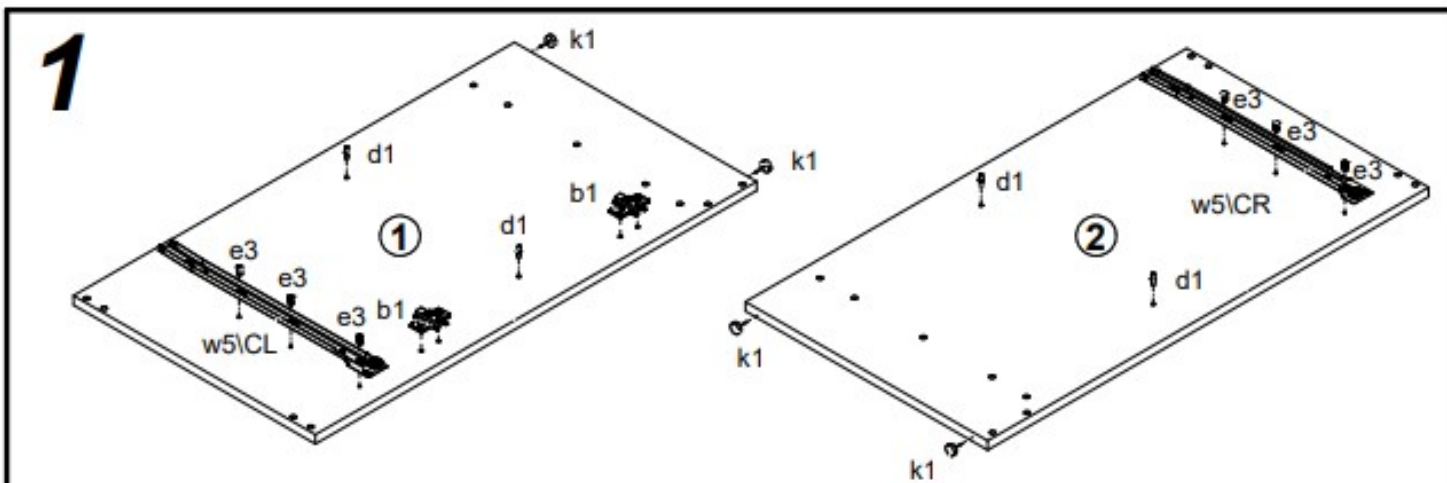
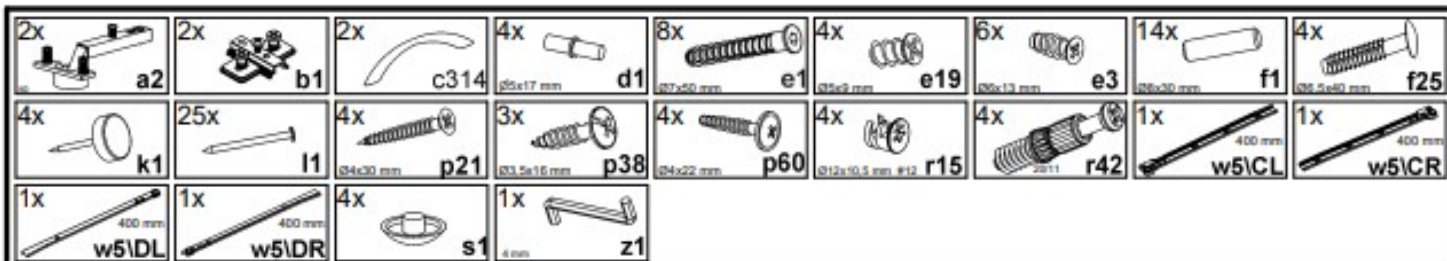
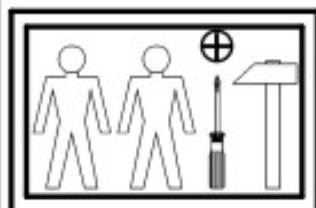
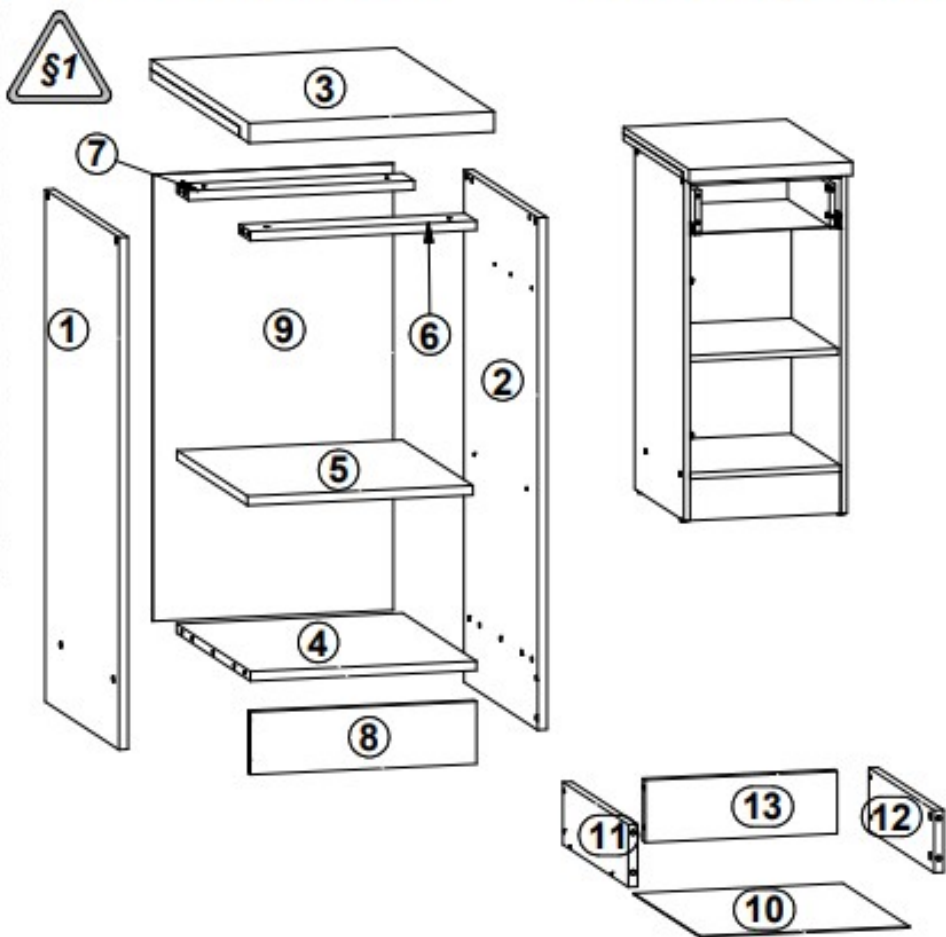
A	B	C	D
1	K22-024	396	570 3/3
2	K22-032	396	140 3/3



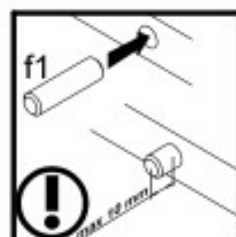
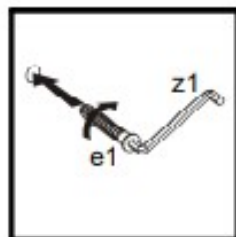
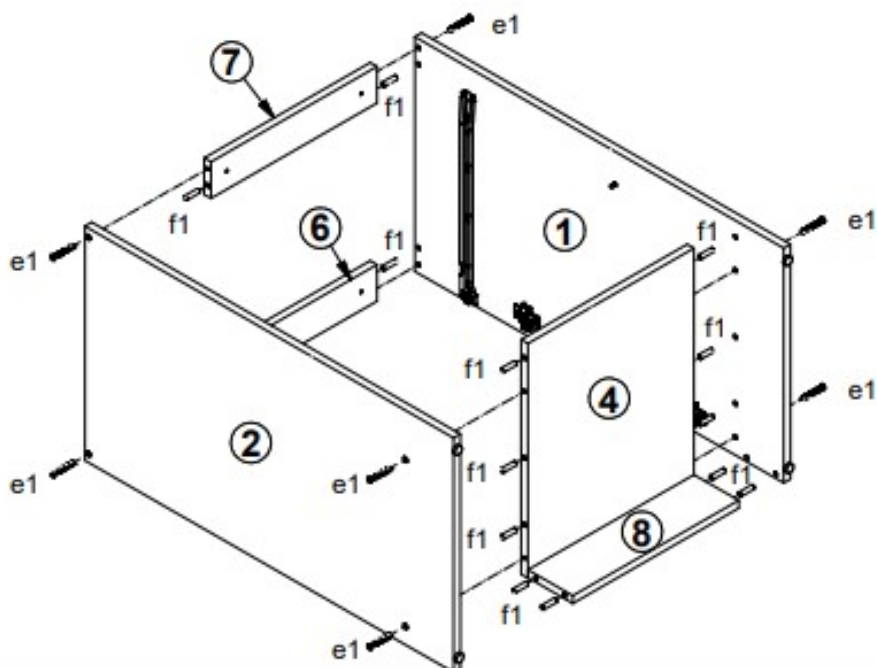
1



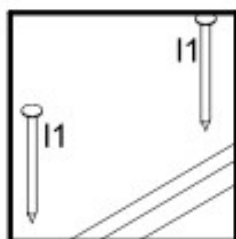
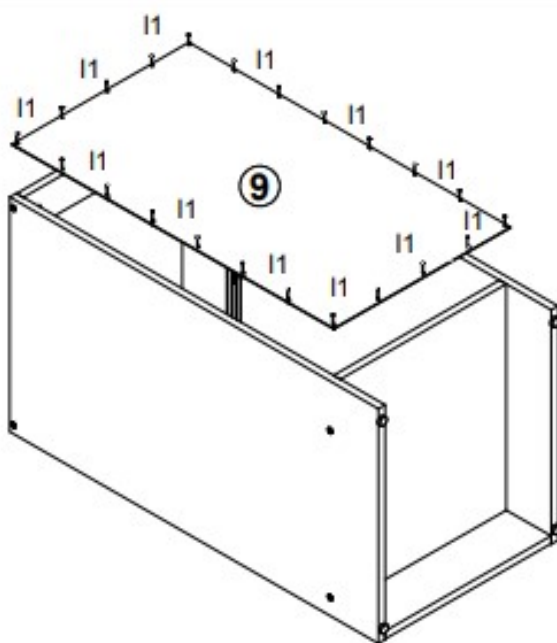
A	B	C	D
Moduł A , A + A1			
1	K22-103	820	450 1/3
2	K22-104	820	450 1/3
4	K22-307	369	450 1/3
5	K22-308	368	430 1/3
6	K22-411	369	70 2/3
7	K22-412	369	70 2/3
8	K22-413	369	100 2/3
9	K22-906	715	393 1/3
10	K22-922	406	342 1/3
11	K24-501	400	100 2/3
12	K24-502	400	100 2/3
13	ZS3-5527	314	100 2/3
Moduł A + A1			
3	K22-203	400	600 1/3



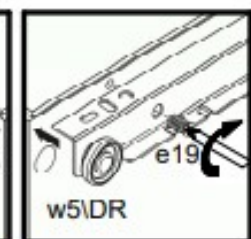
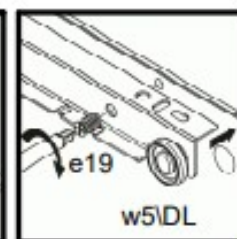
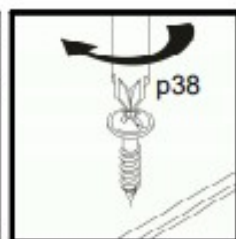
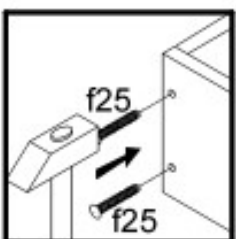
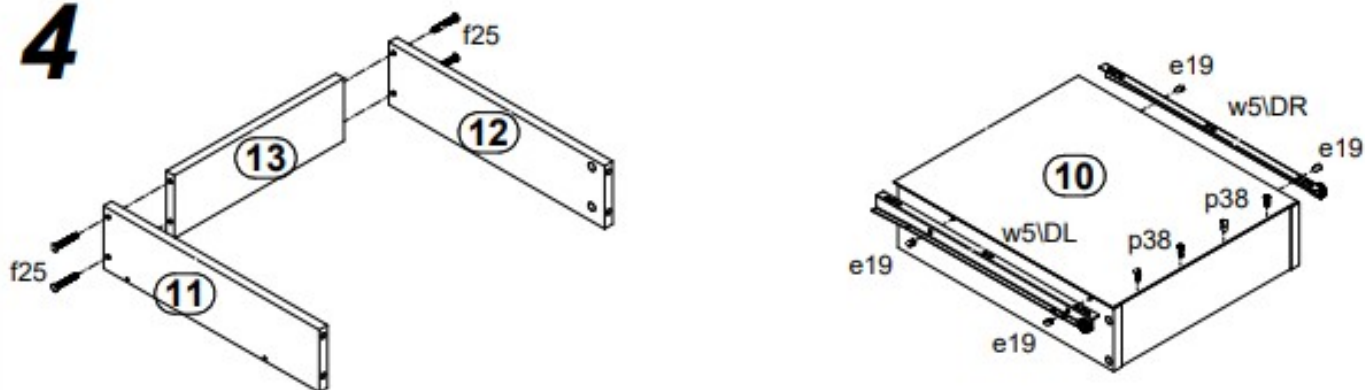
2



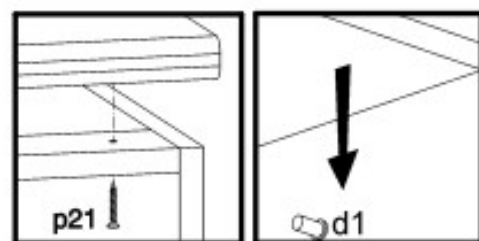
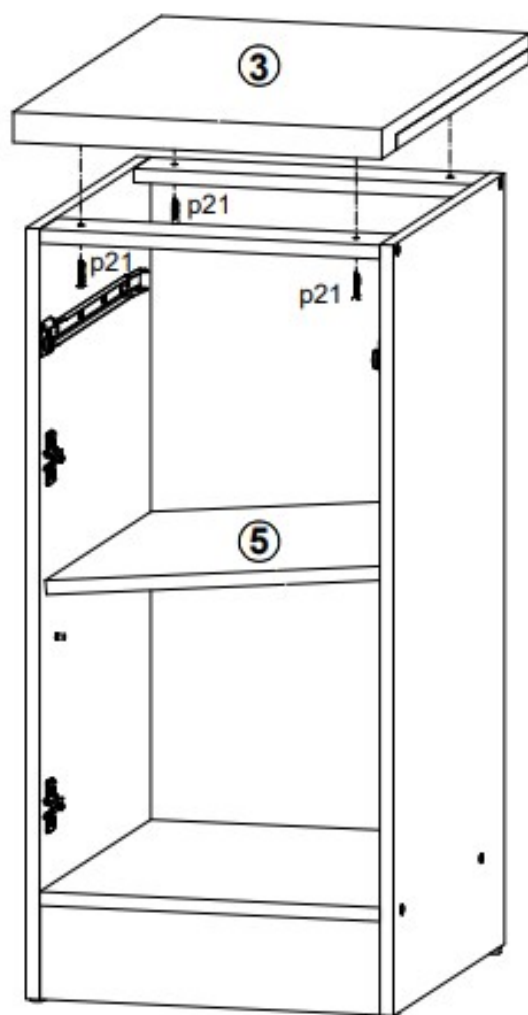
3



4



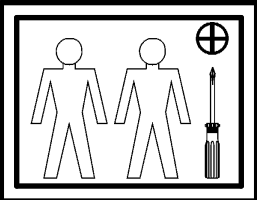
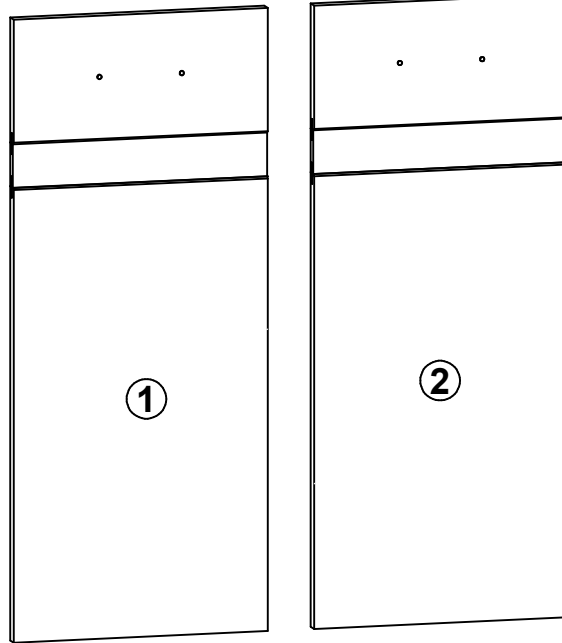
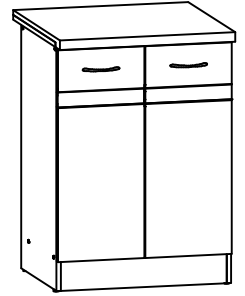
5



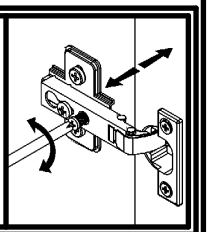
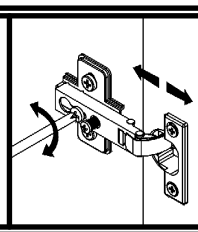
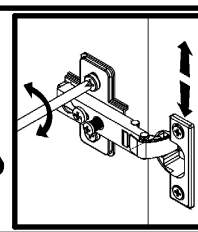
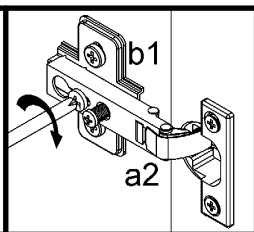
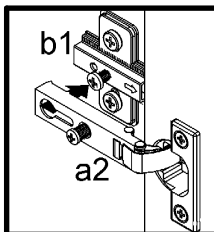
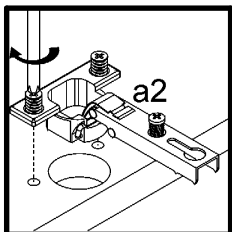
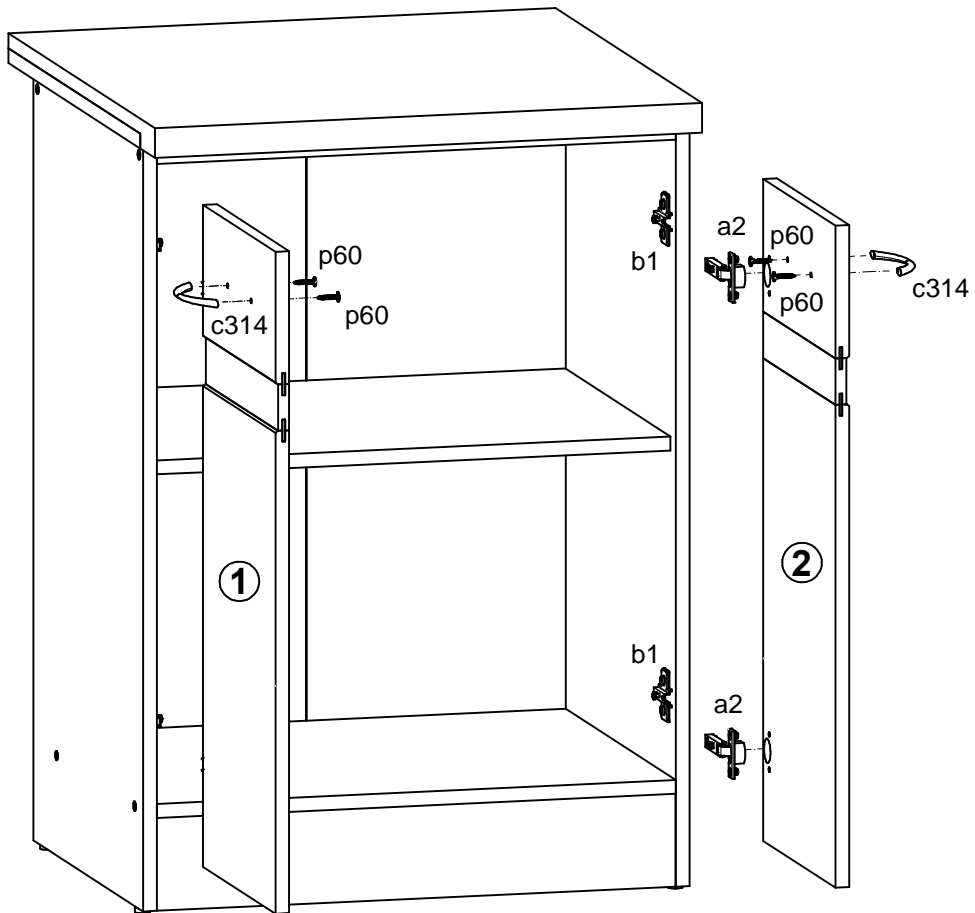
Junona Line

K22-D2D/60/82

A	B	C	D
1	K22-026	296	713 3/3
2	K22-027	296	713 3/3



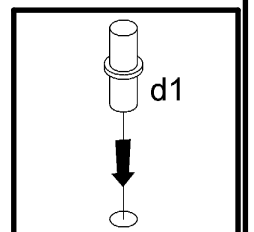
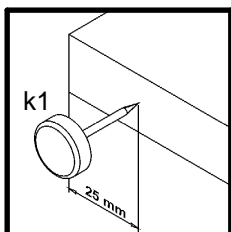
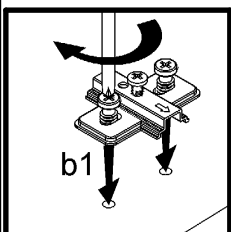
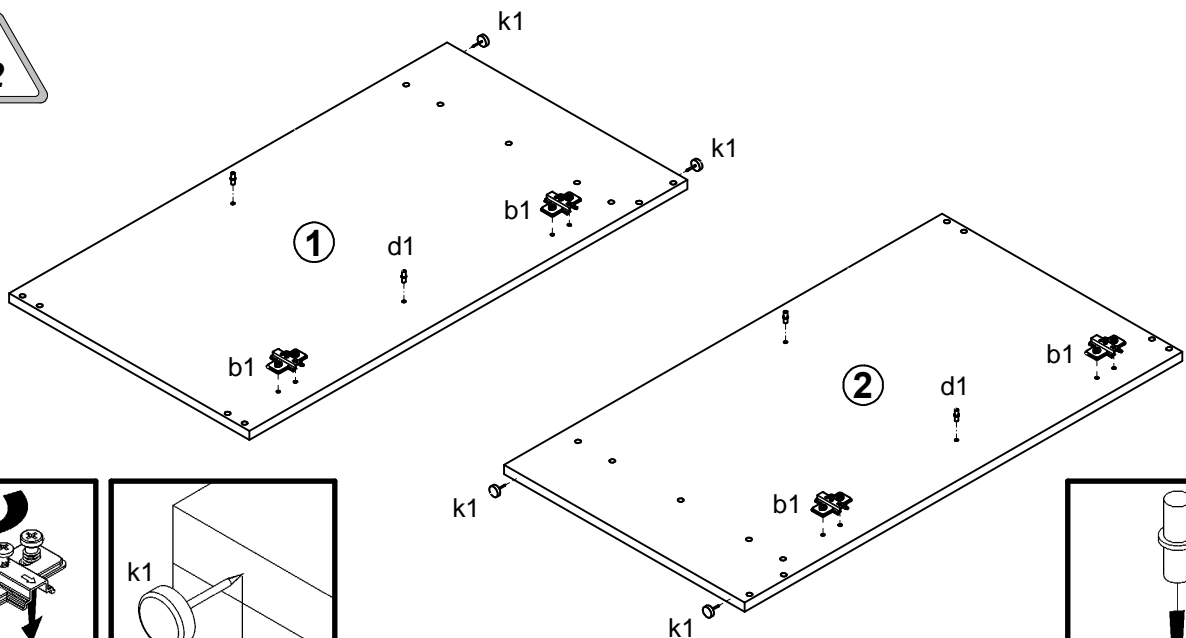
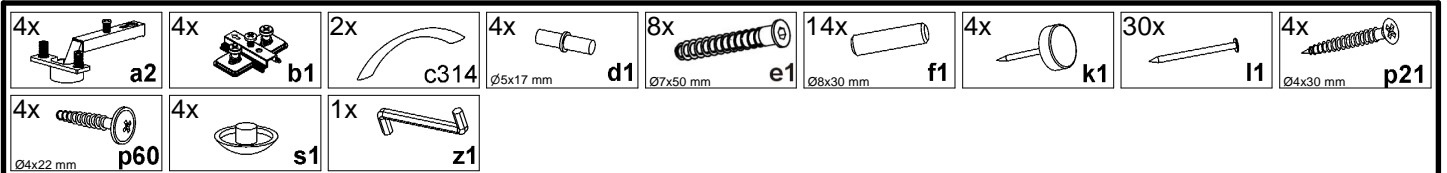
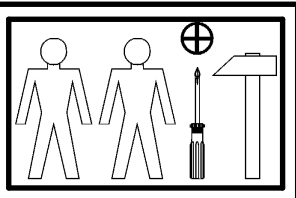
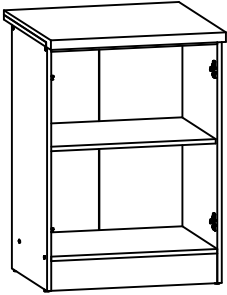
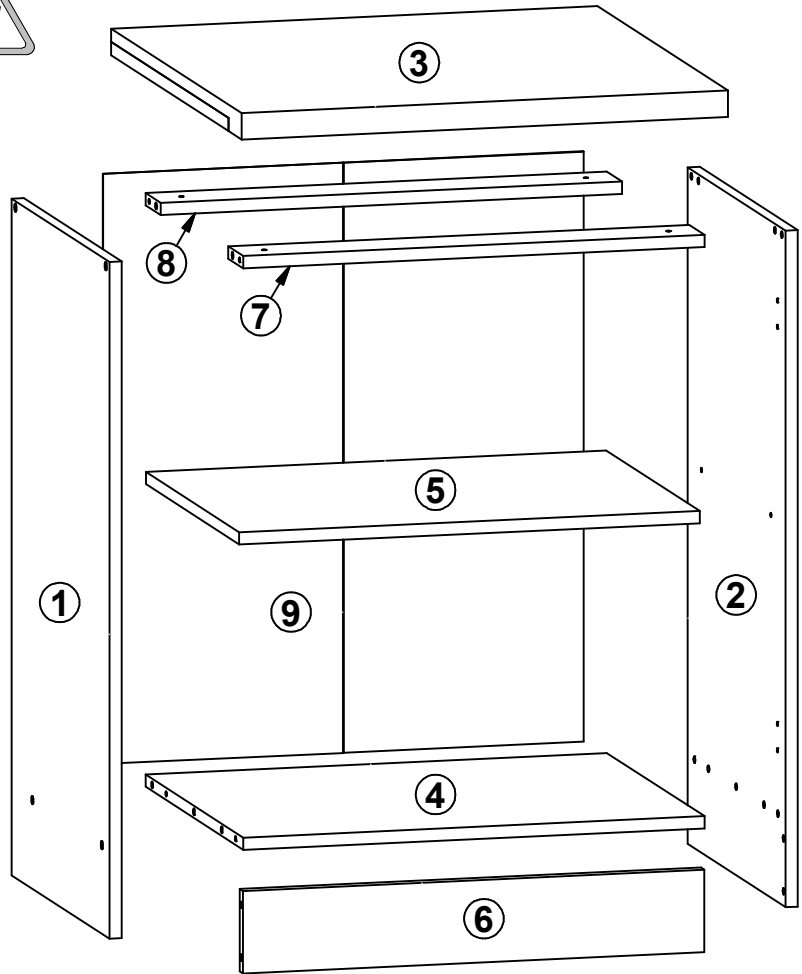
1



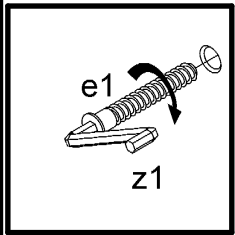
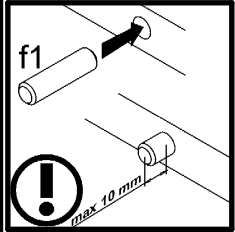
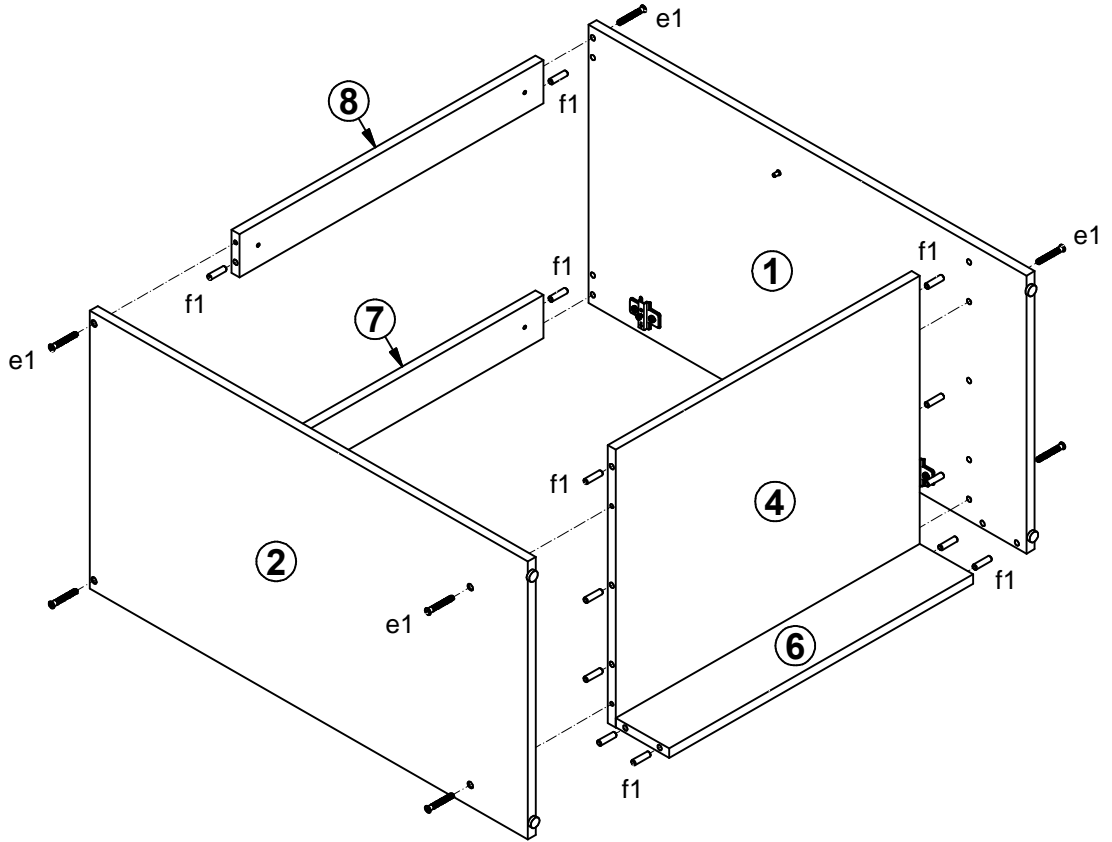
Junona Line

K22-D2D/60/82

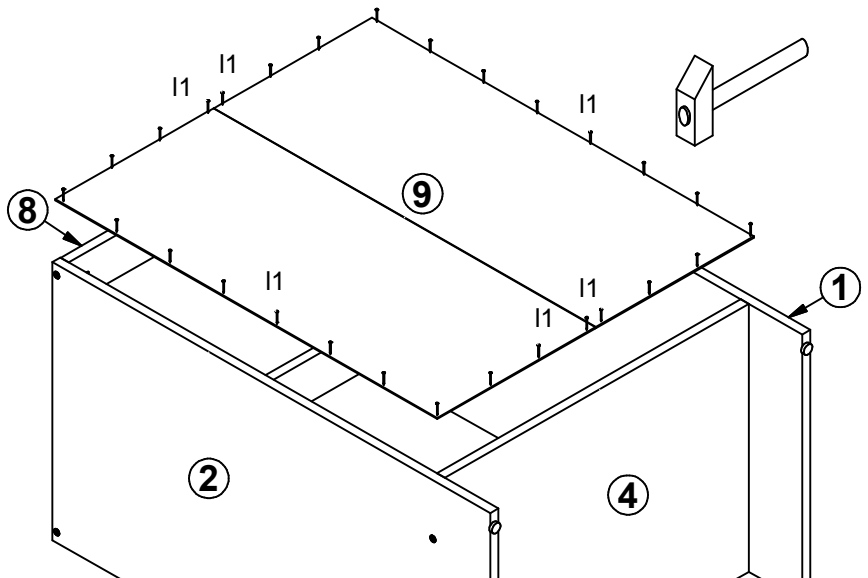
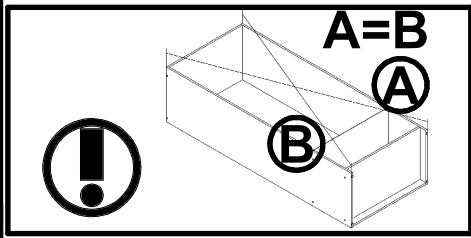
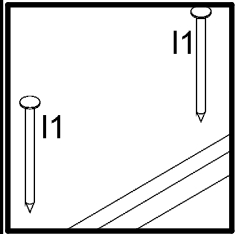
A	B	C	D	
1	K22-107	820	450	1/3
2	K22-108	820	450	1/3
3	K22-206	600	600	2/3
4	K22-341	569	450	1/3
5	K22-342	568	430	1/3
6	K22-423	569	100	1/3
7	K22-424	569	70	1/3
8	K22-425	569	70	1/3
9	K22-926	715	593	1/3



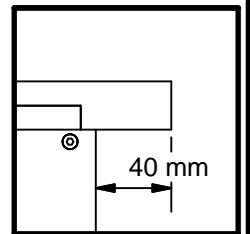
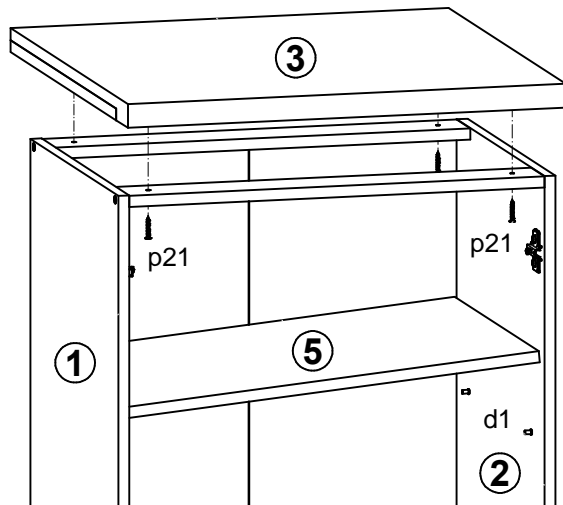
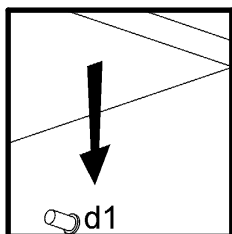
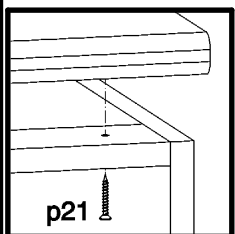
2



3



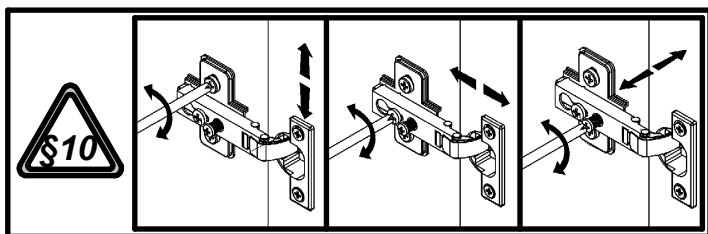
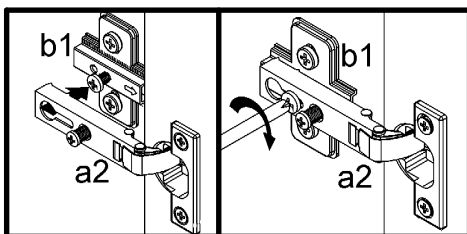
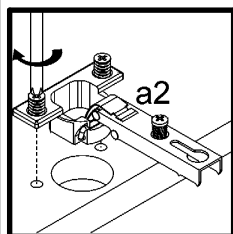
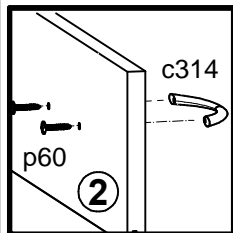
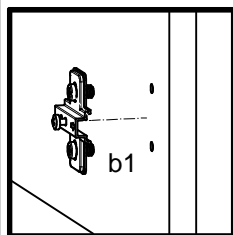
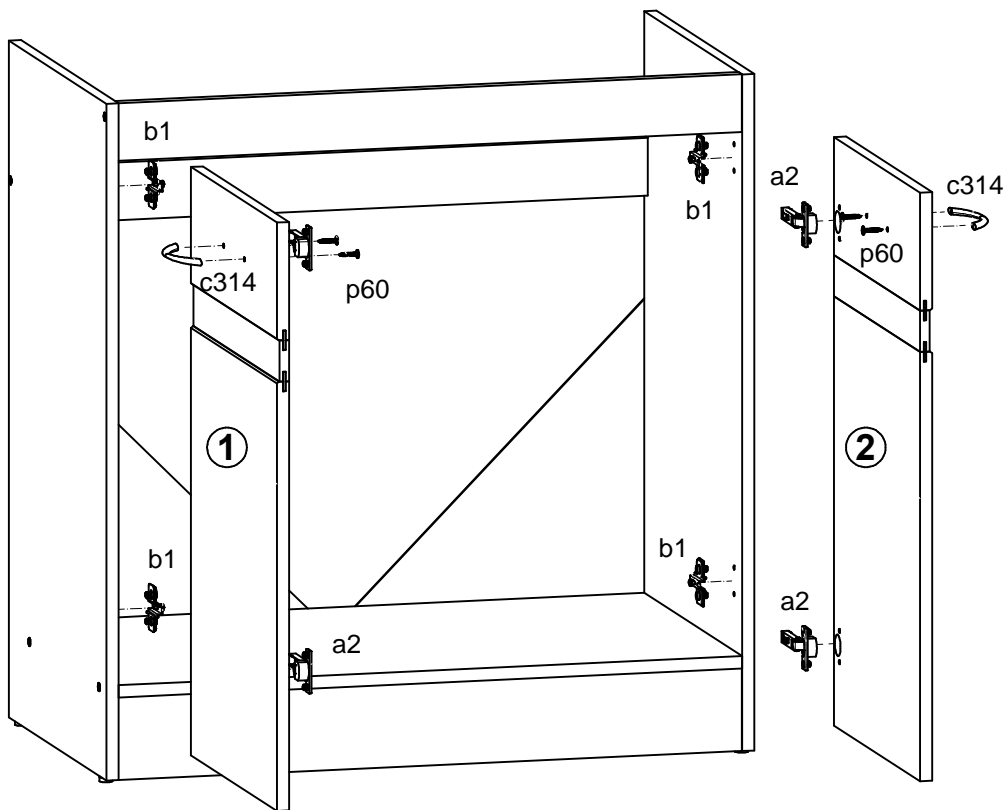
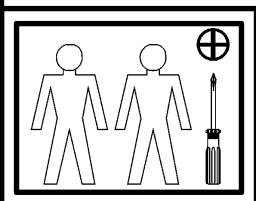
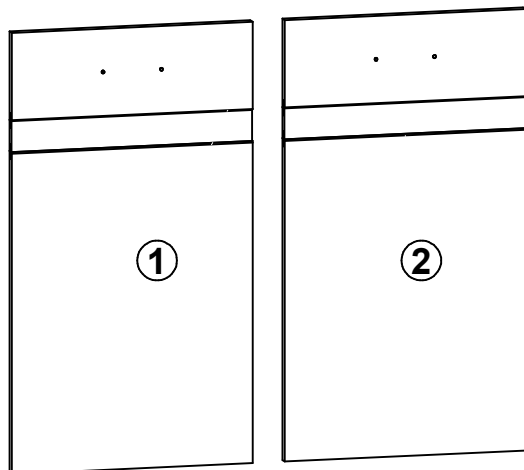
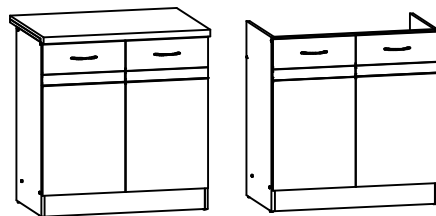
4



Junona Line

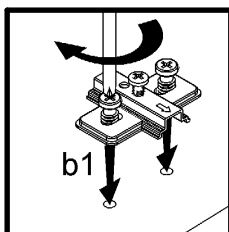
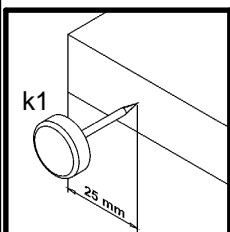
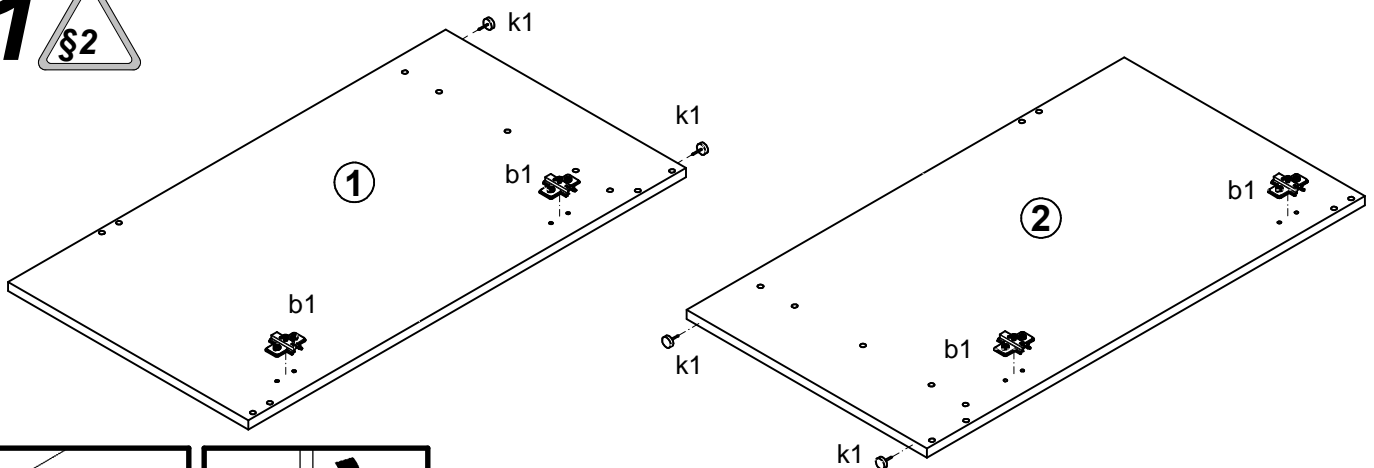
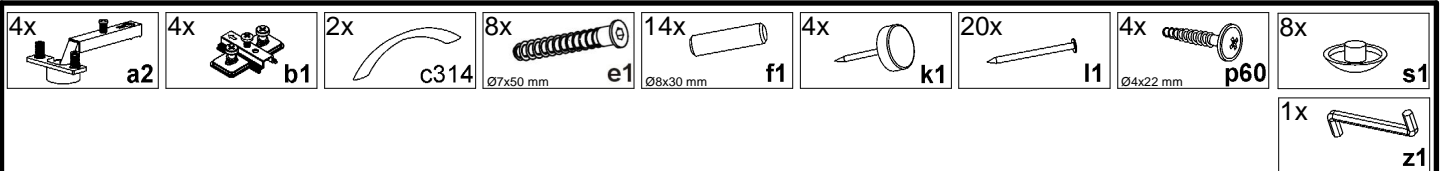
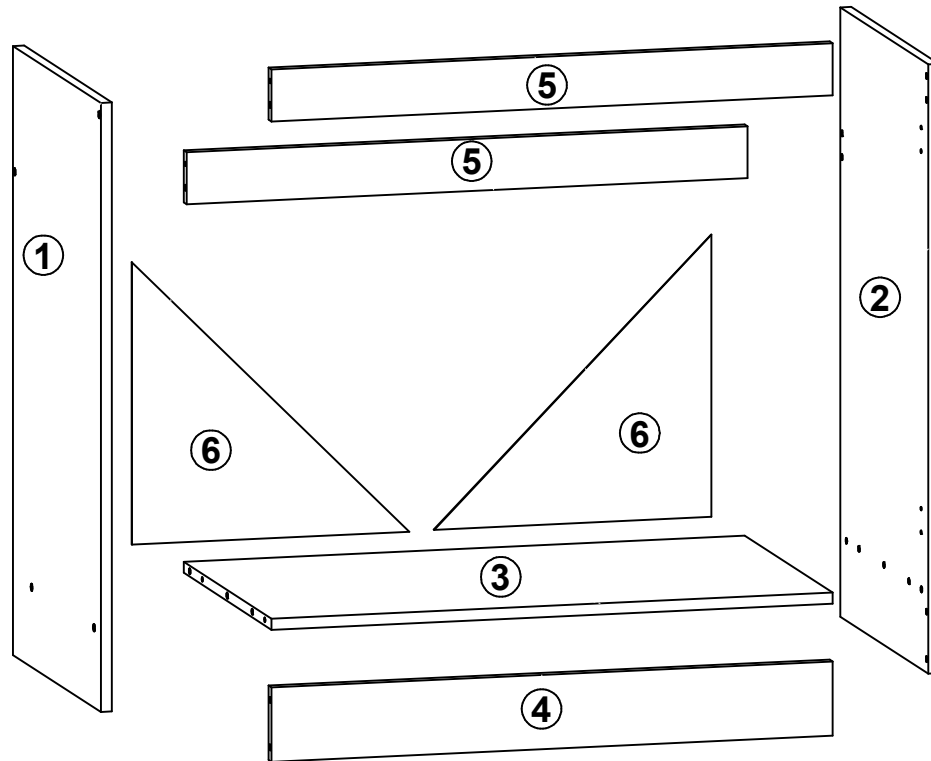
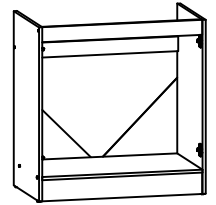
K22-DK2D/80/82-frn K22-D2D/80/82-frn

A	B	C	D
1	K22-020	396	713 2/2
2	K22-021	396	713 2/2

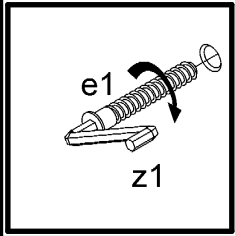
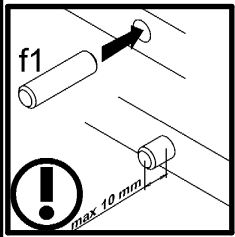
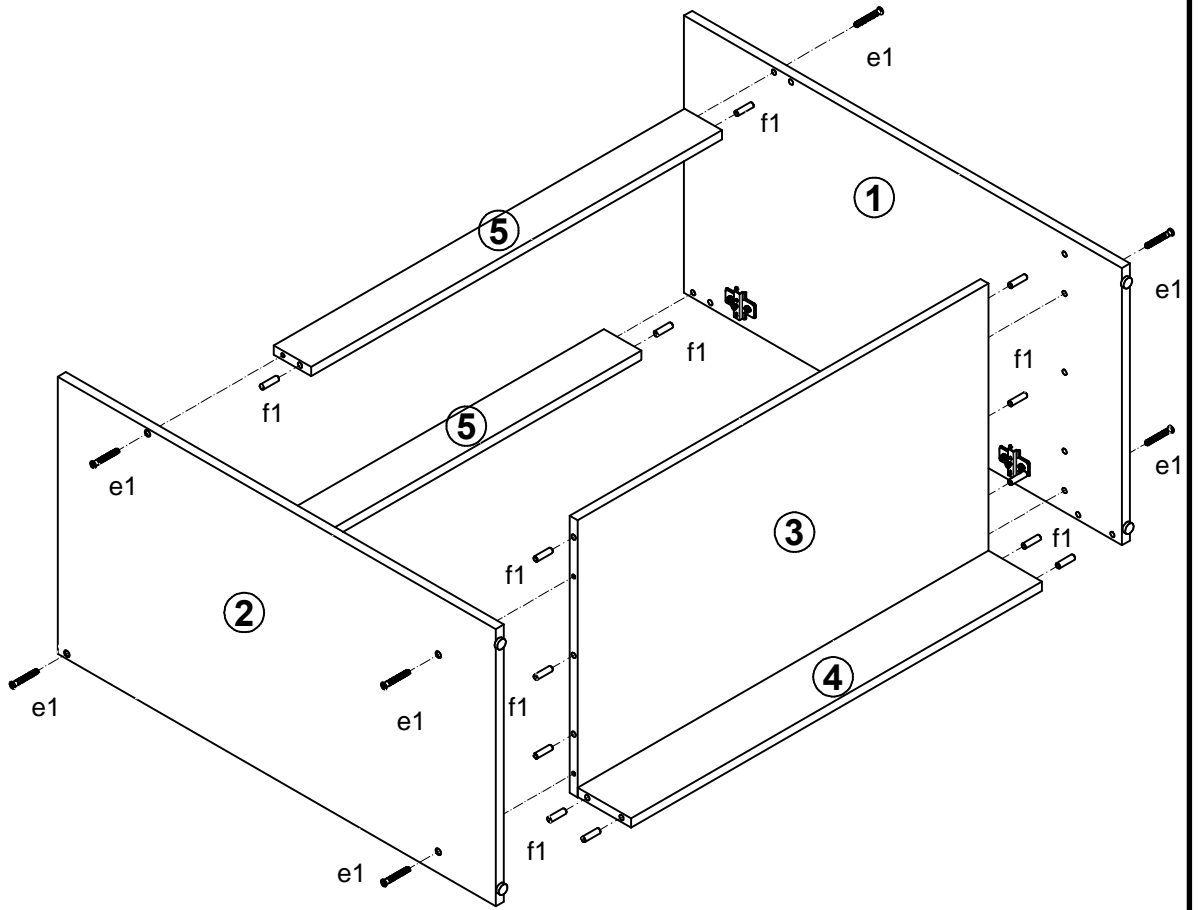


K22-DK2D/80/82

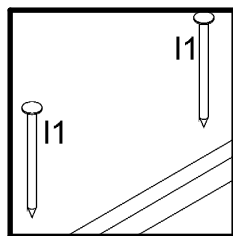
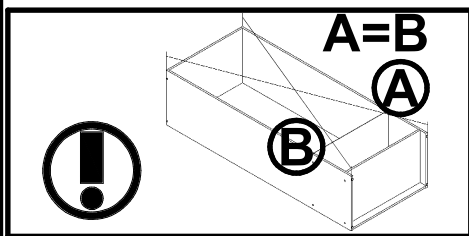
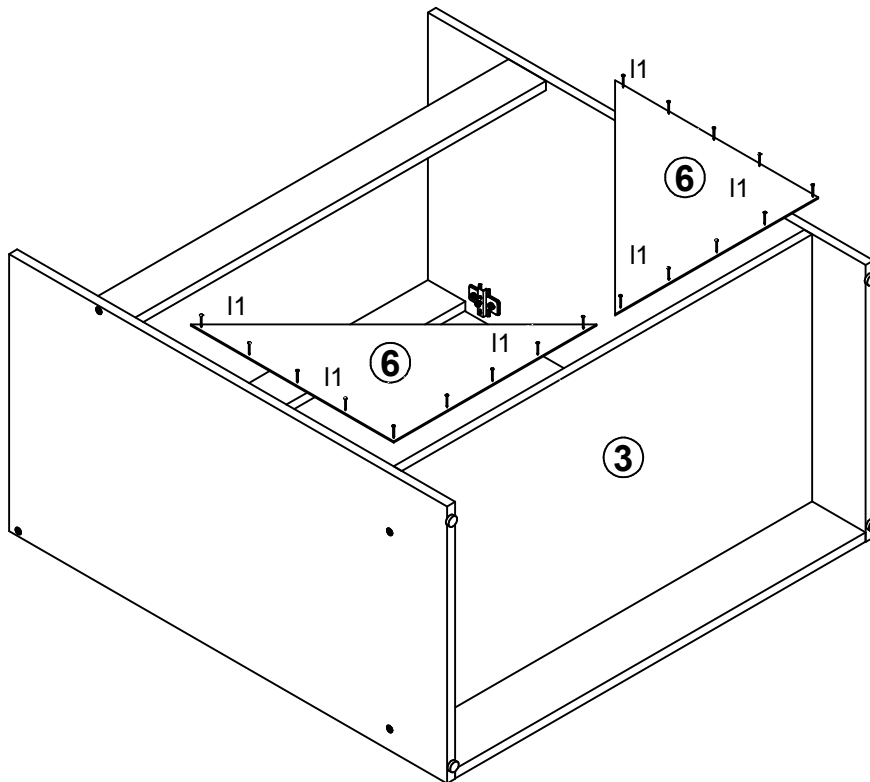
A	B	C	D
1	K22-116	820	450 1/2
2	K22-117	820	450 1/2
3	K22-327	769	450 1/2
4	K22-417	769	100 1/2
5	K22-418	769	70 1/2
6	K22-918	380	380 1/2



2 §6



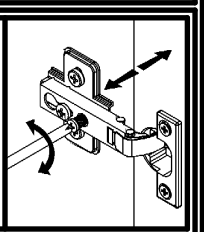
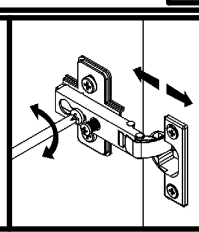
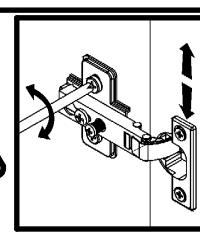
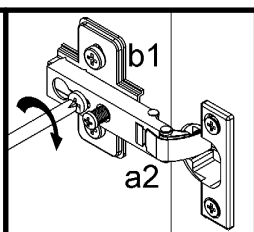
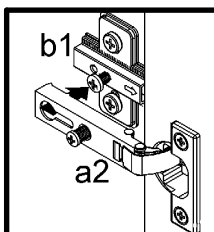
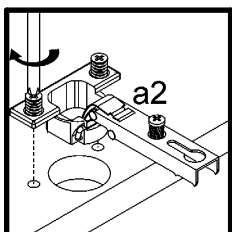
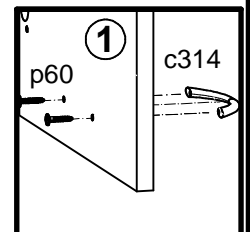
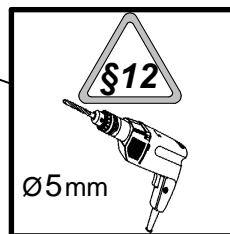
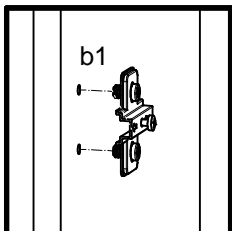
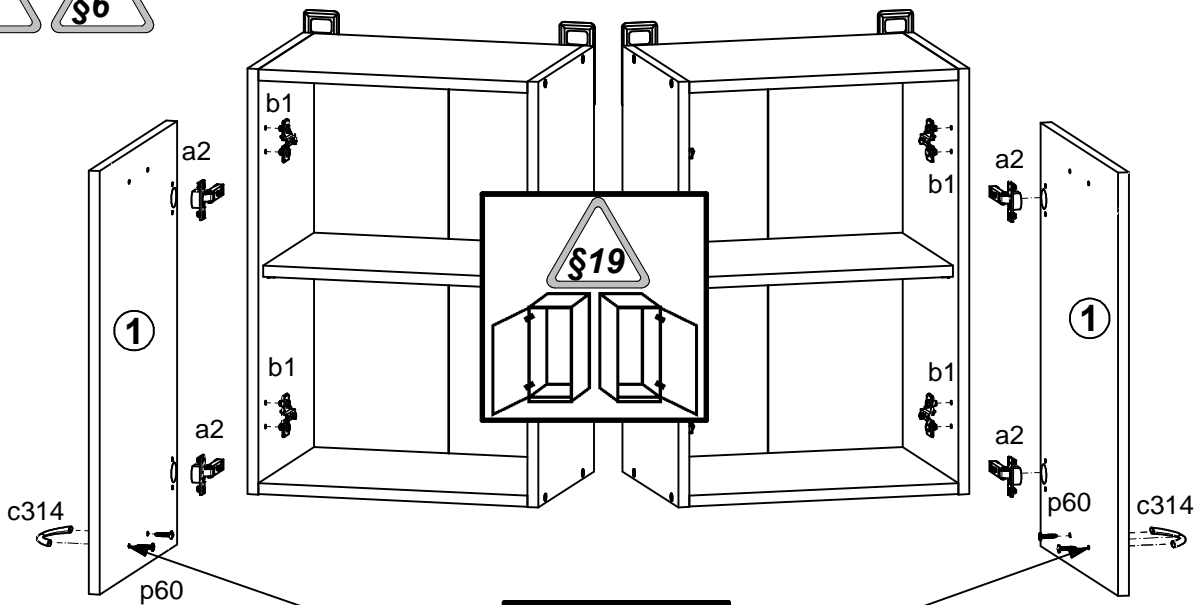
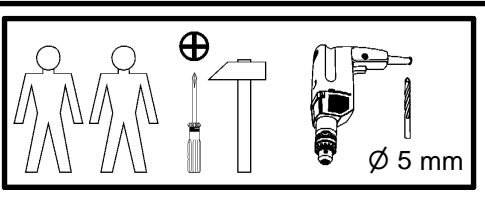
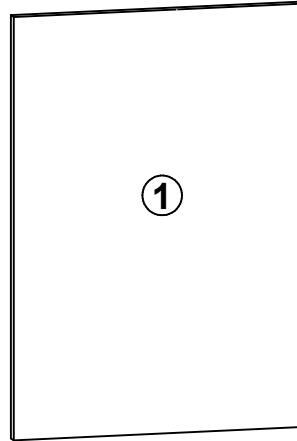
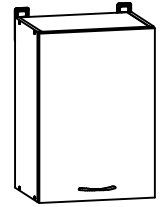
3



Junona Line

K22-G1D/40/57-LP

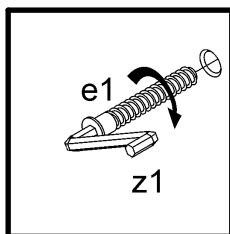
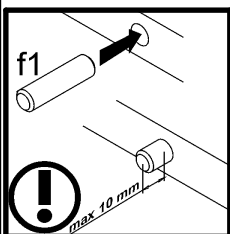
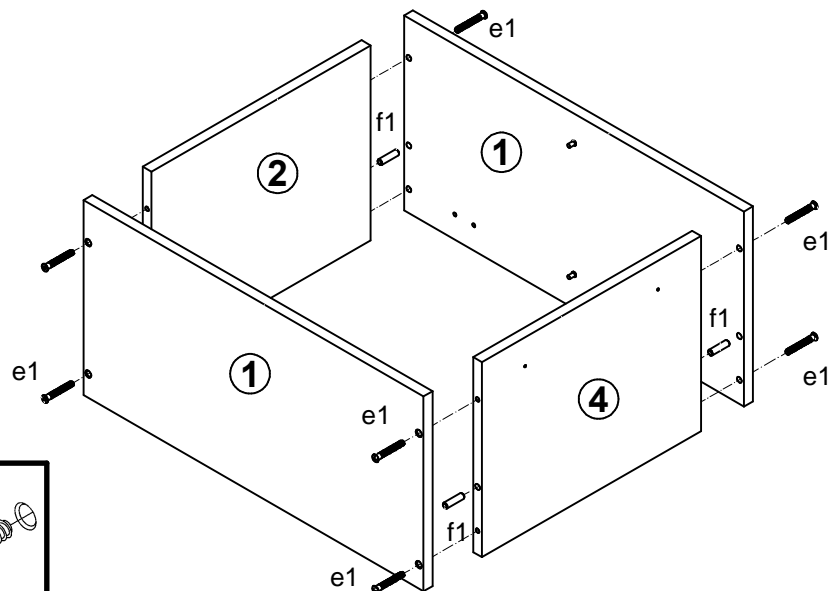
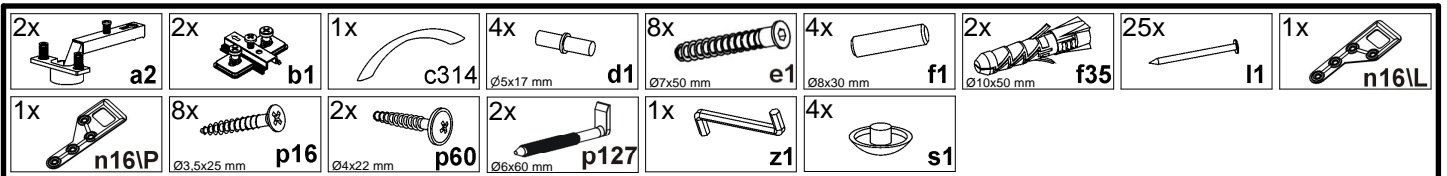
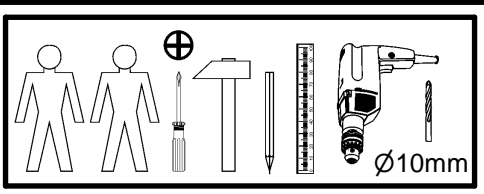
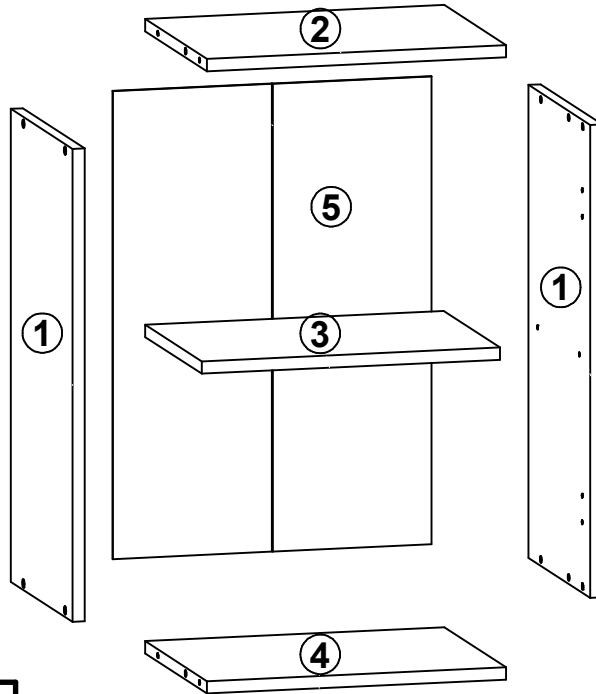
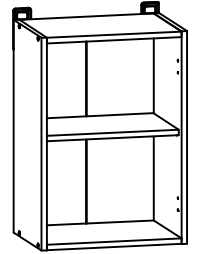
A	B	C	D
1	K22-029	396	570
			2/2



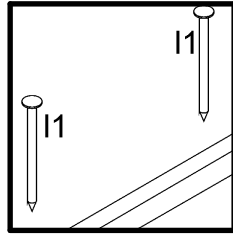
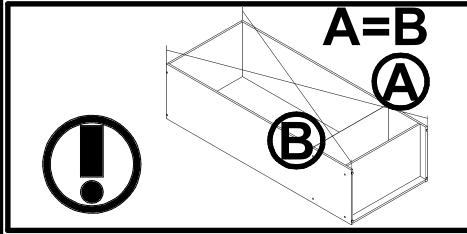
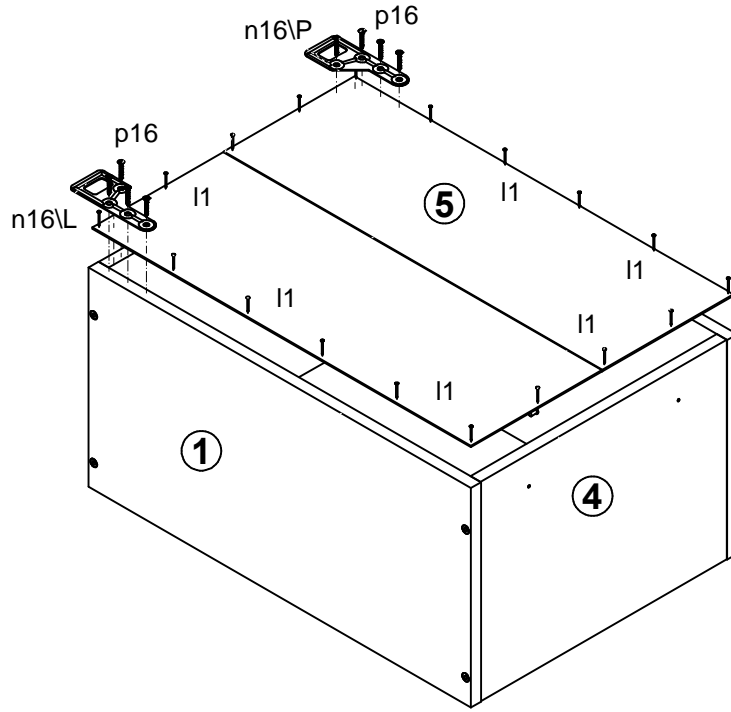
Junona Line

K22-G1D/40/57-LP

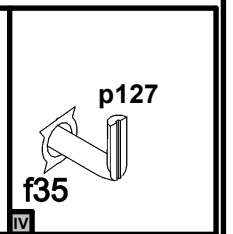
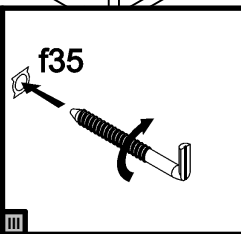
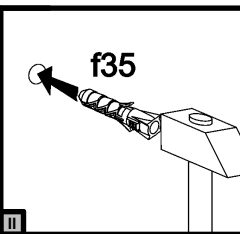
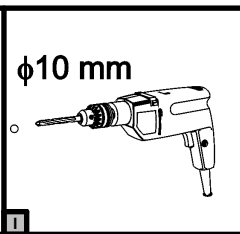
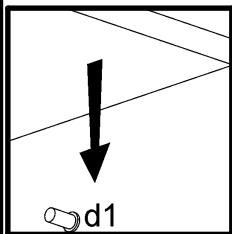
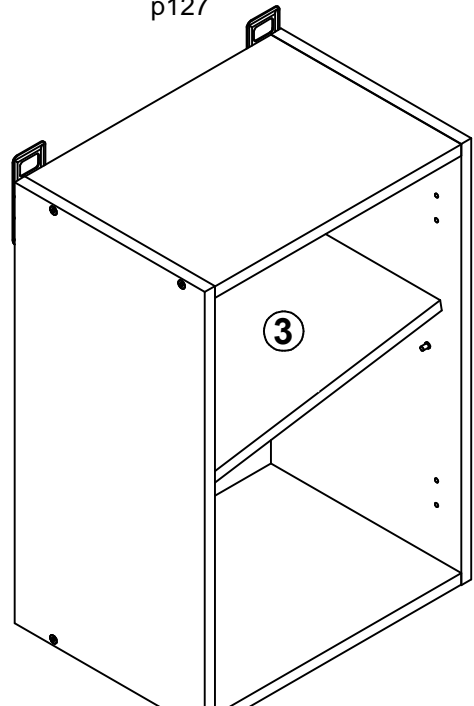
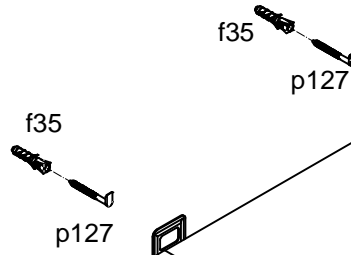
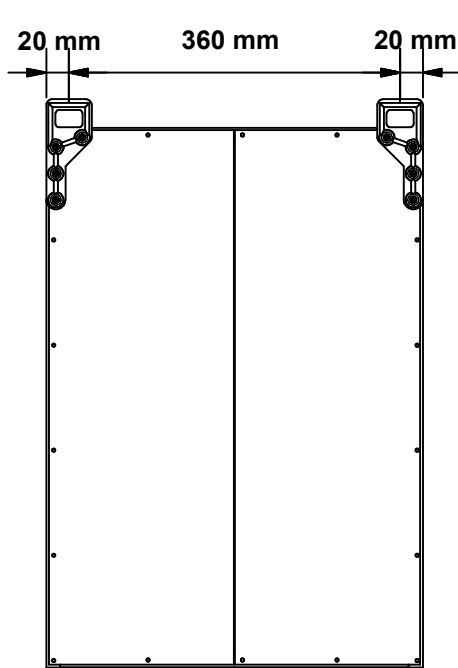
A	B	C	D
1	K22-101	573	285
2	K22-311	369	285
3	K22-312	368	260
4	K22-323	369	285
5	K22-908	567	393



2 §6



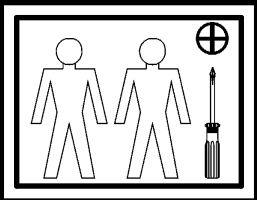
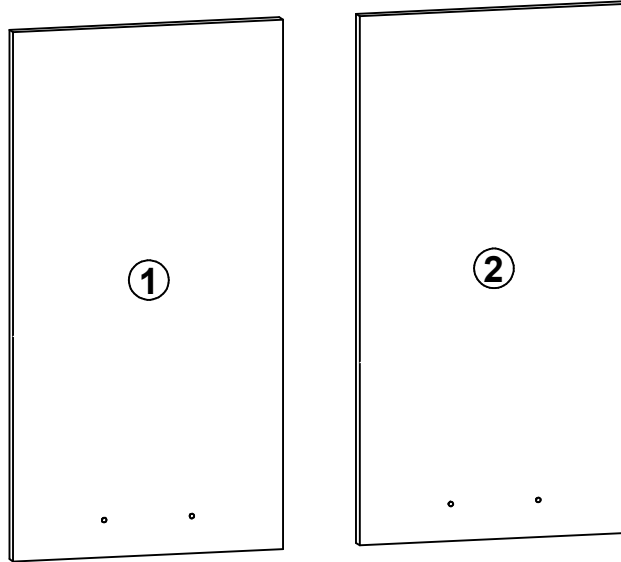
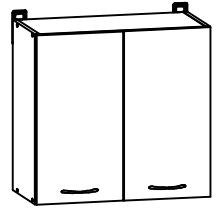
3



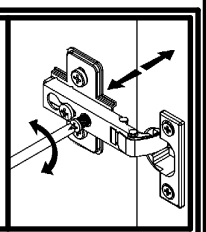
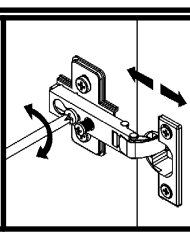
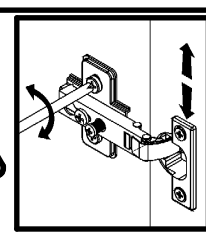
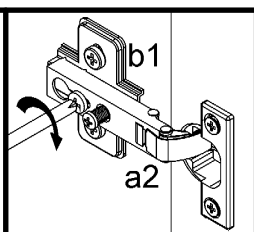
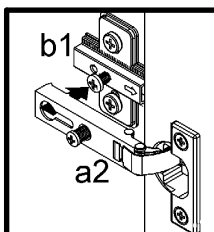
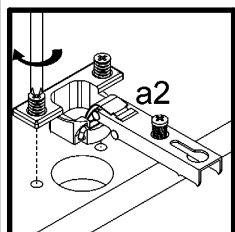
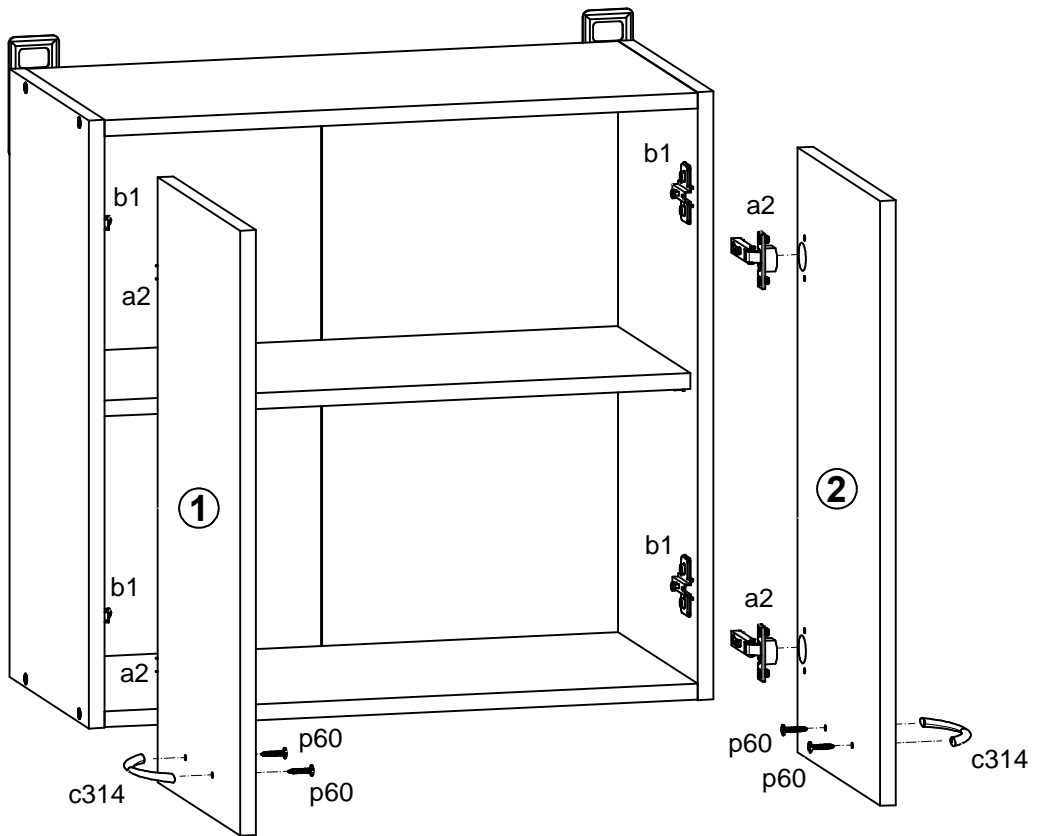
Junona Line

K22-G2D/60/57

A	B	C	D
1	K22-037	296	570
2	K22-038	296	570



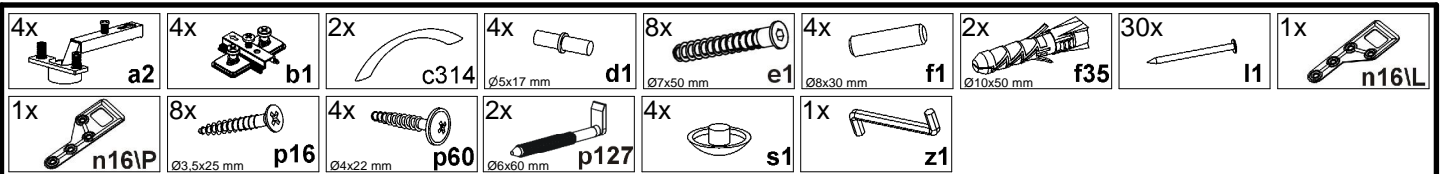
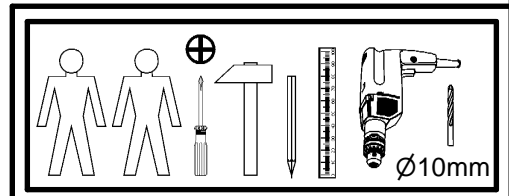
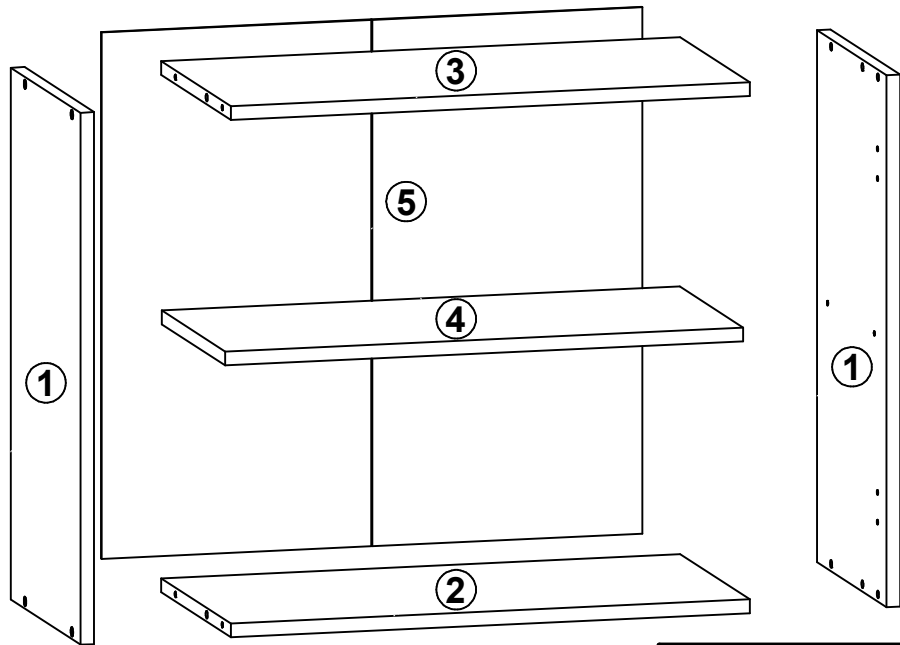
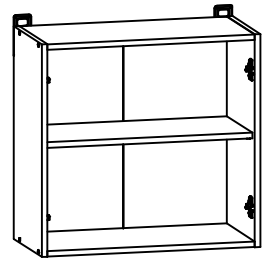
1



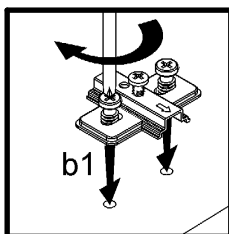
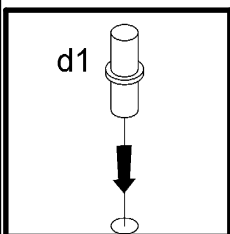
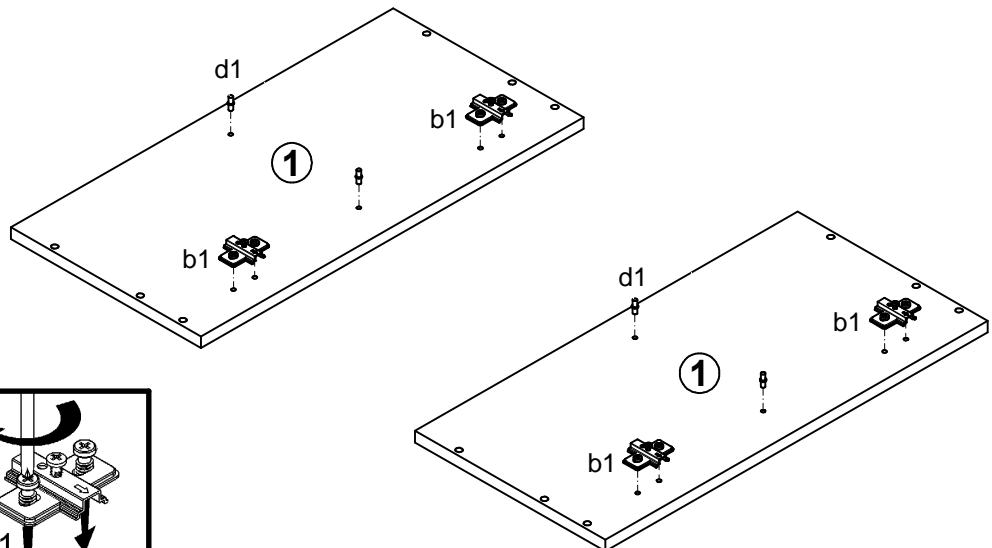
Junona Line

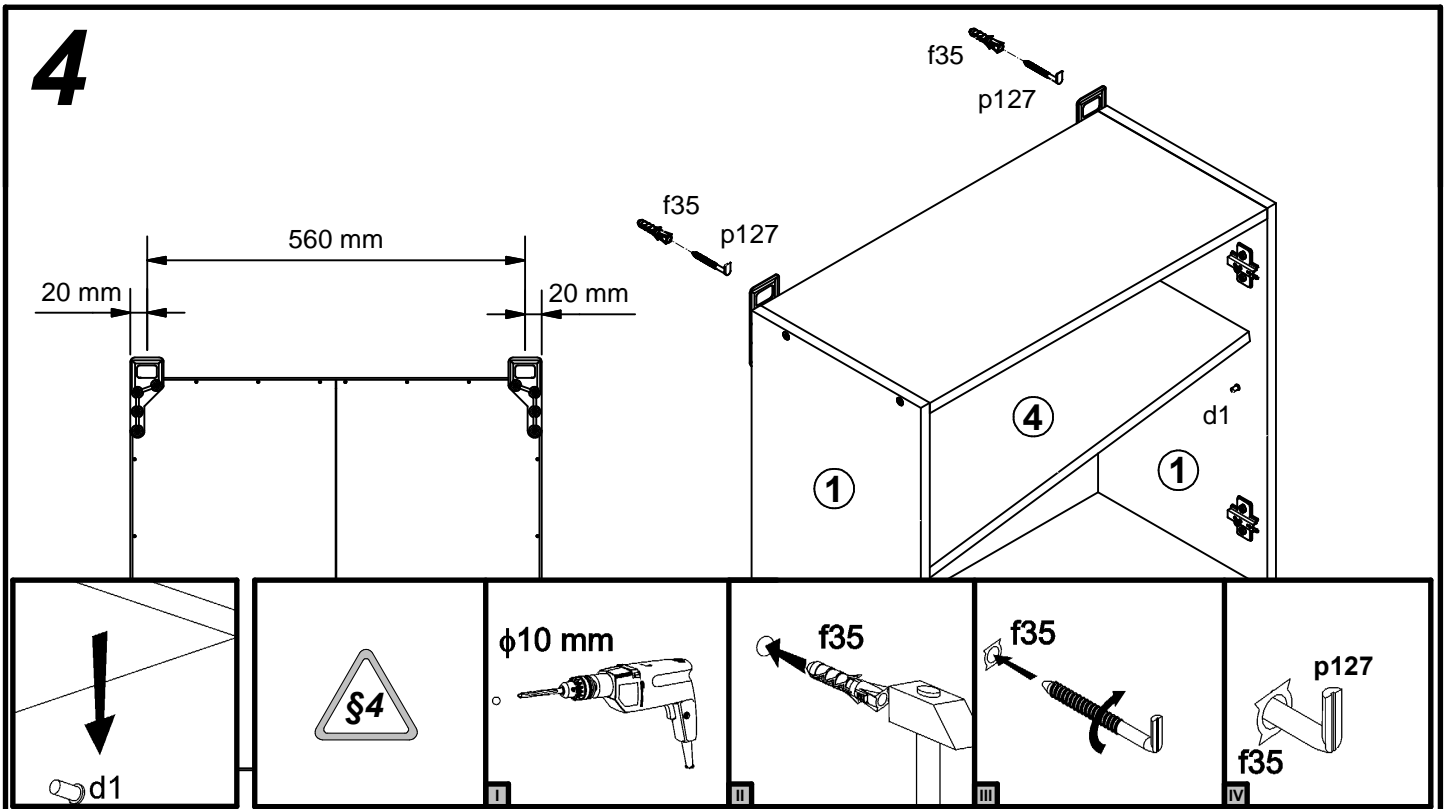
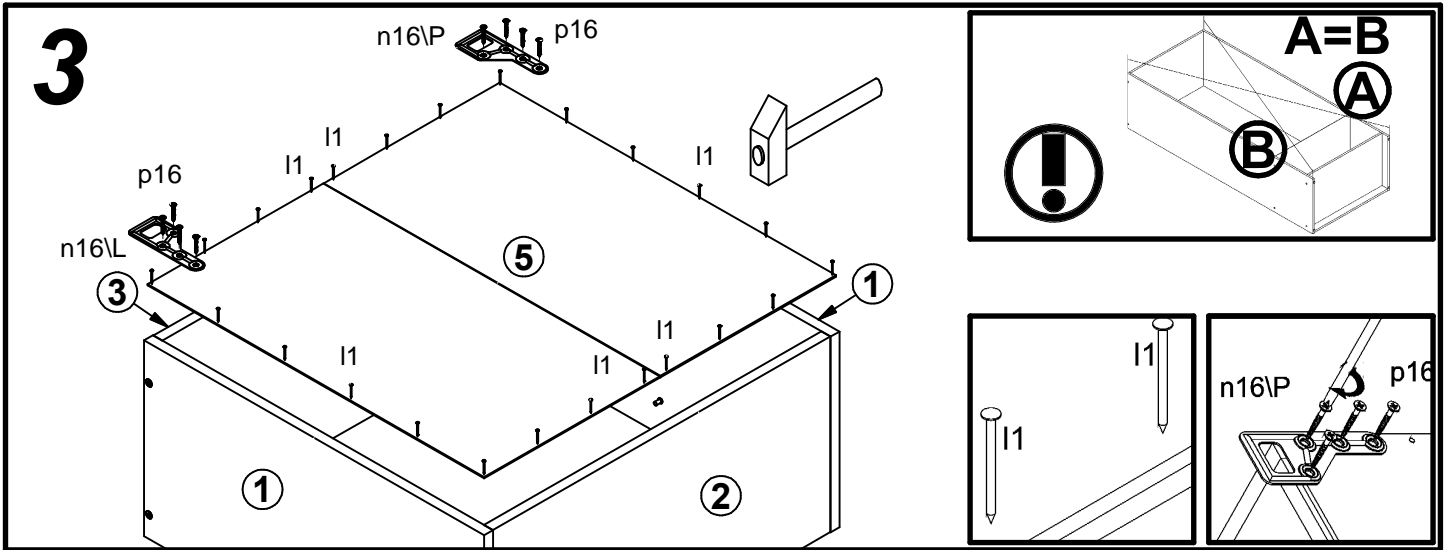
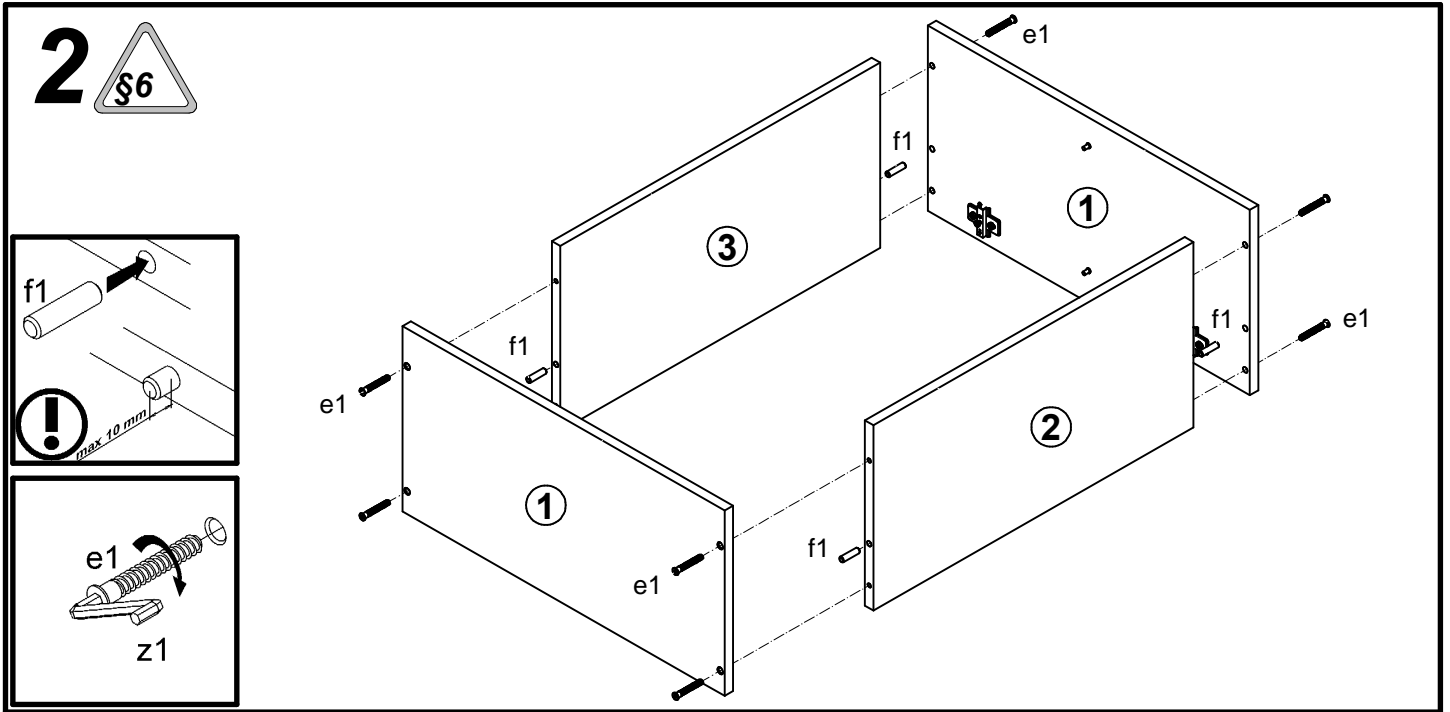
K22-G2D/60/57

A	B	C	D	
1	K22-101	573	285	1/2
2	K22-330	569	285	1/2
3	K22-343	569	285	1/2
4	K22-344	568	260	1/2
5	K22-927	567	593	1/2



1 §2

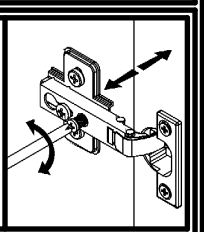
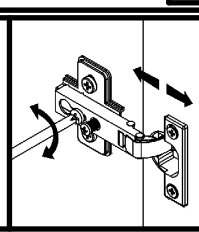
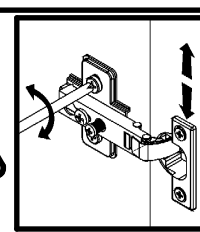
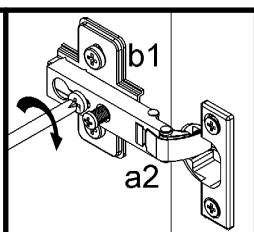
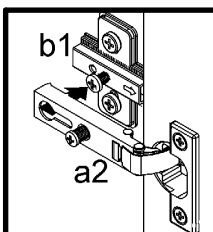
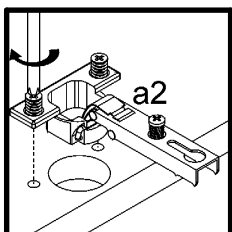
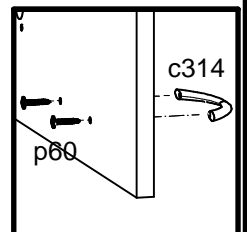
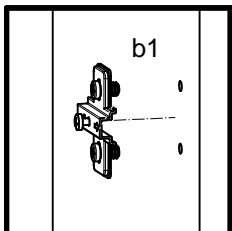
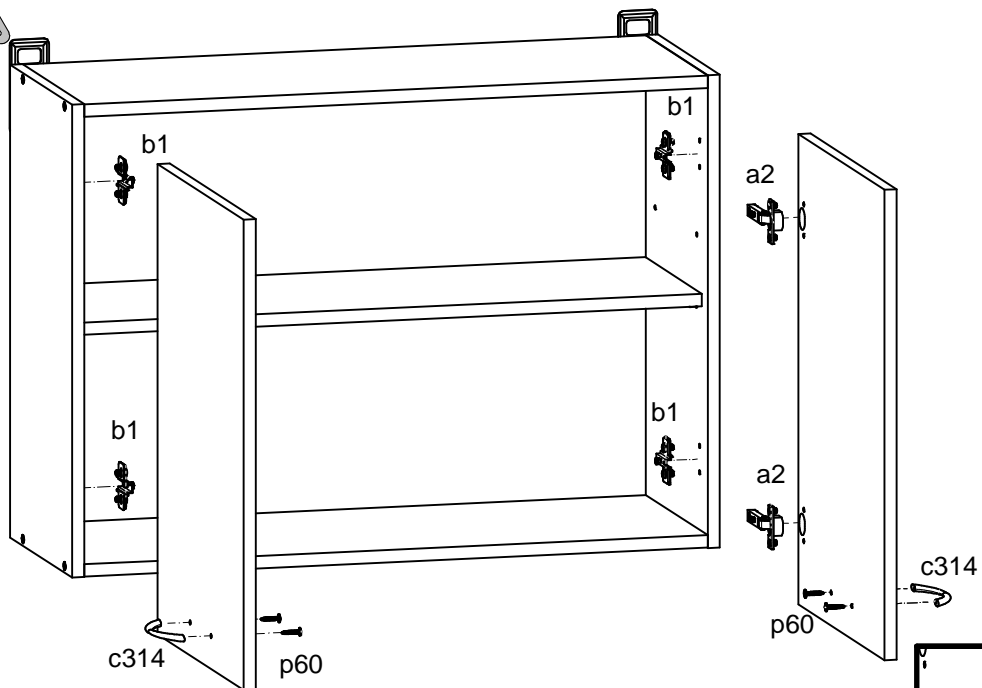
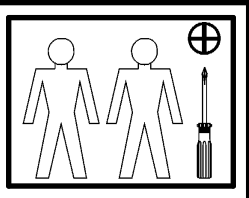
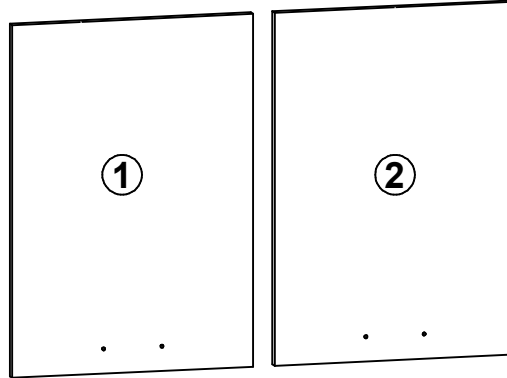
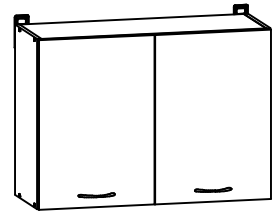




Junona Line

K22-G2D/80/57

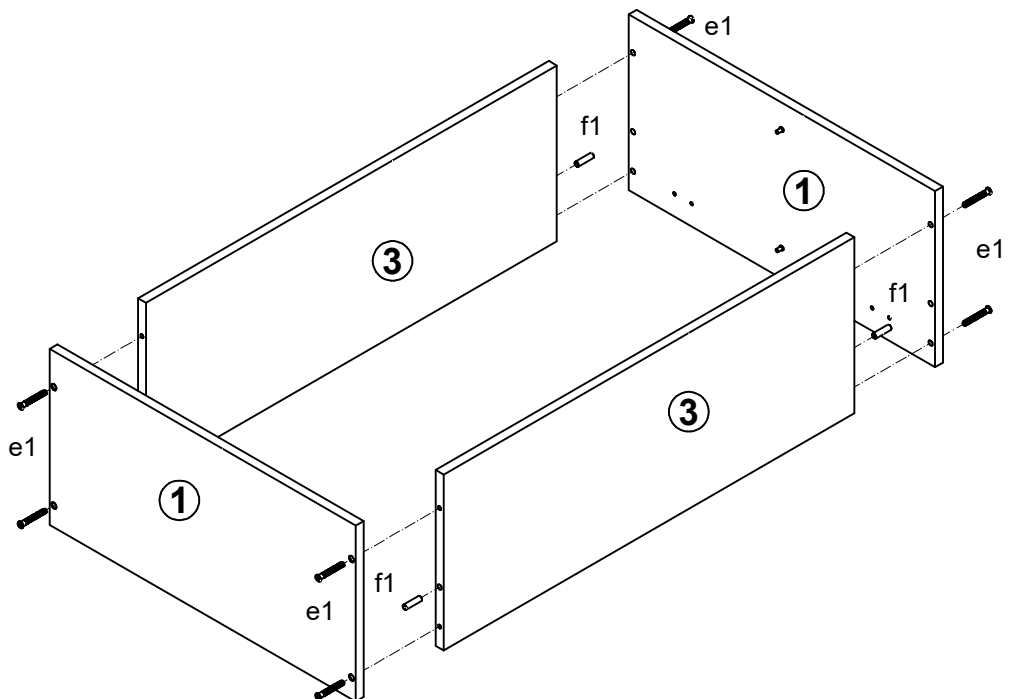
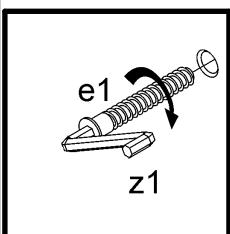
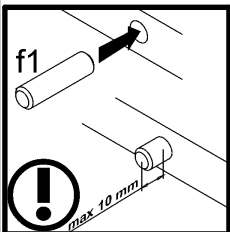
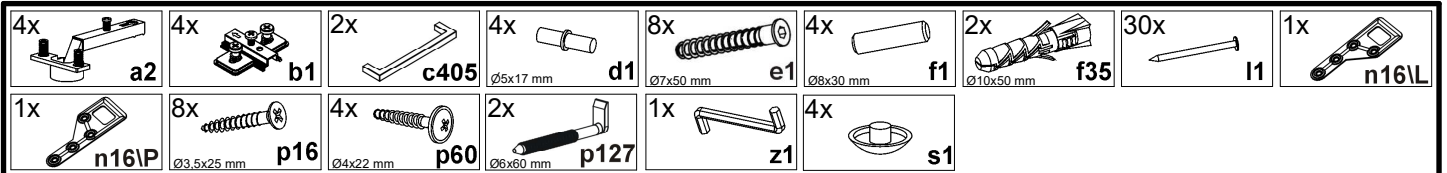
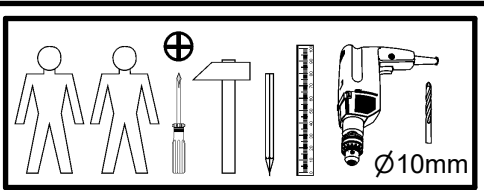
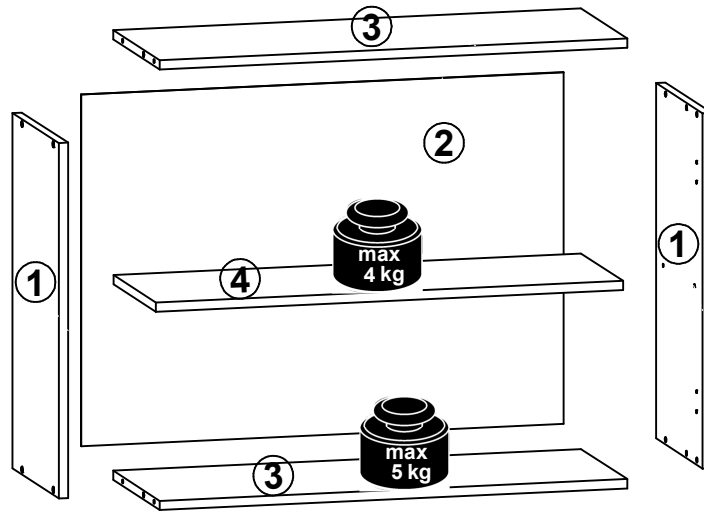
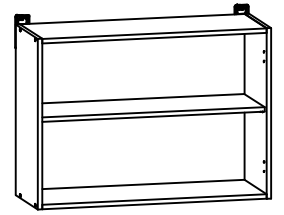
A	B	C	D
1	K22-008	396	570
2	K22-013	396	570



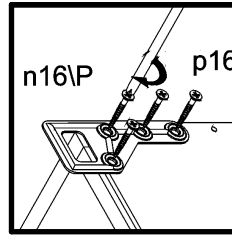
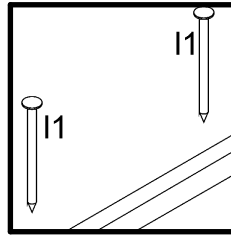
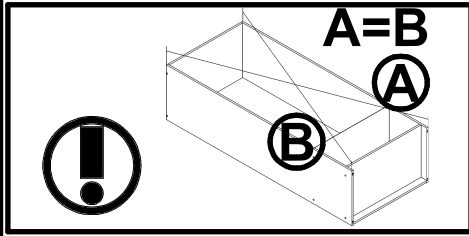
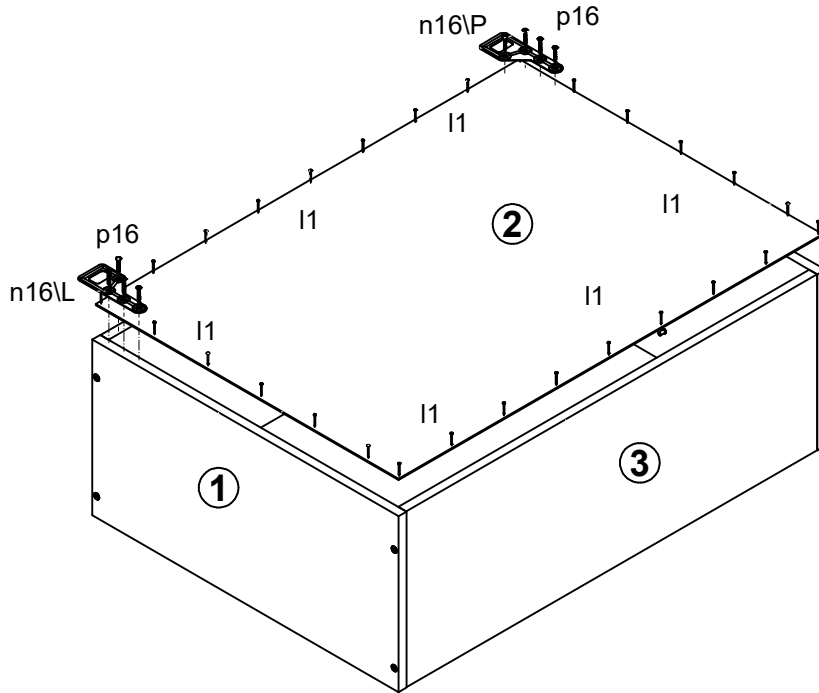
Junona Line

K24-G2D/80/57

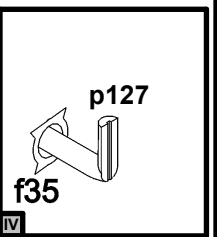
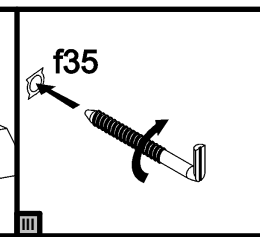
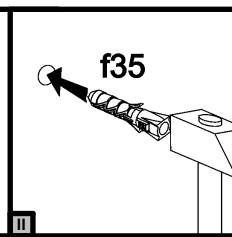
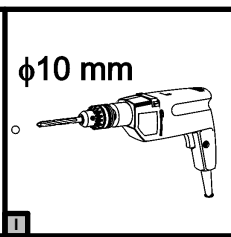
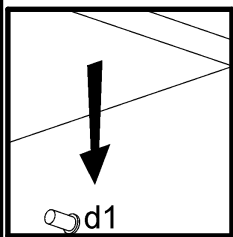
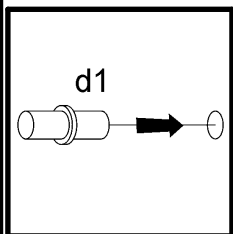
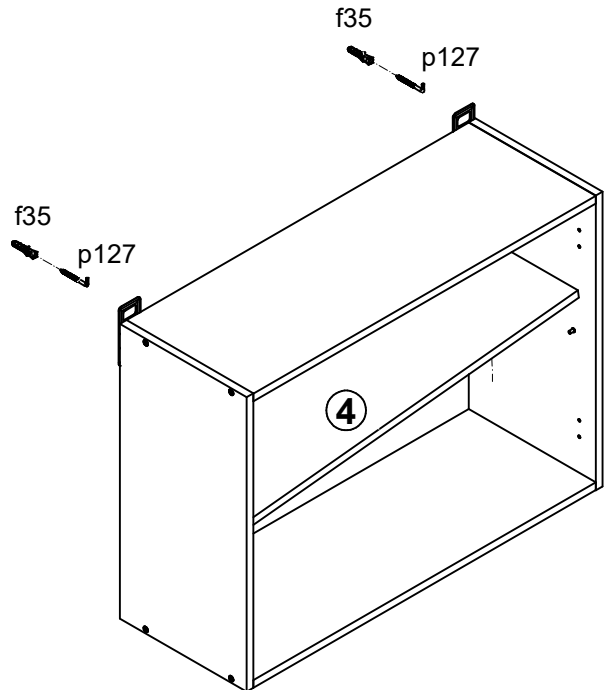
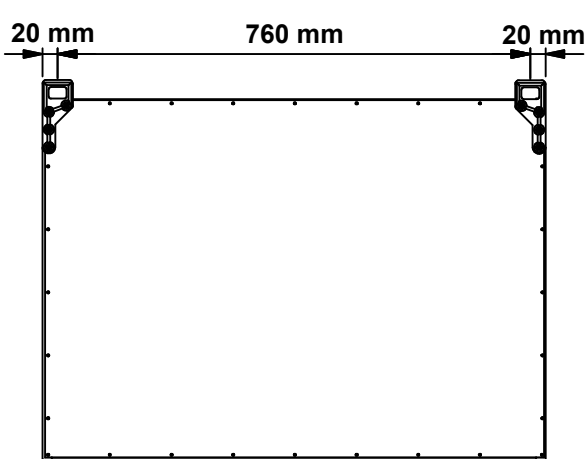
A	B	C	D
1	K24-101	573	285
2	K22-919	567	793
3	K24-328	769	285
4	K24-329	768	260



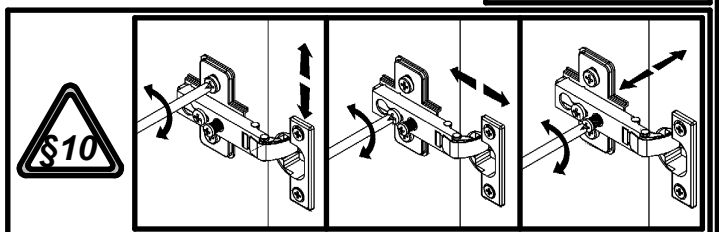
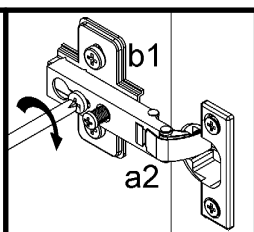
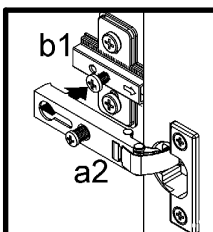
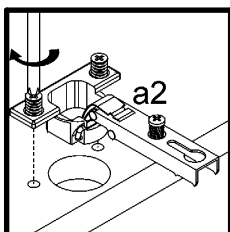
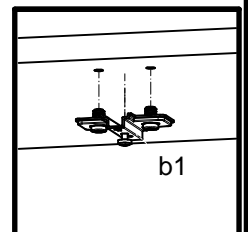
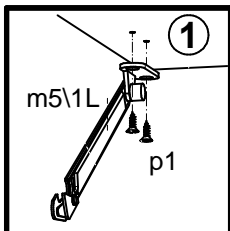
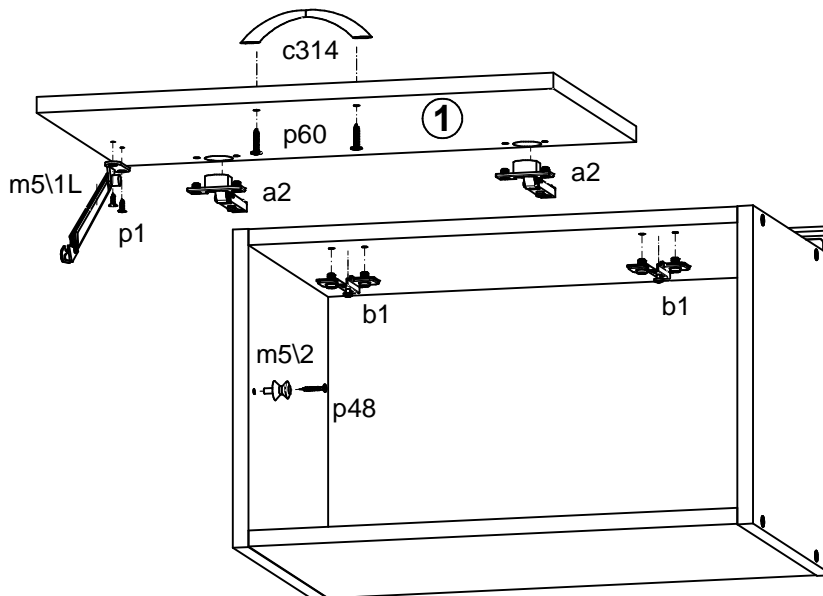
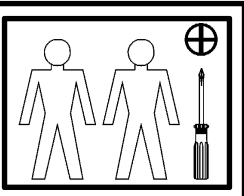
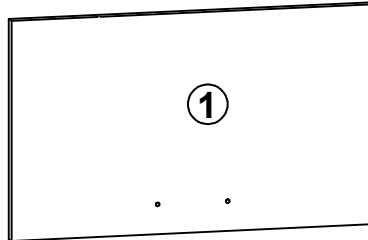
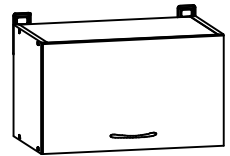
2 §6



3



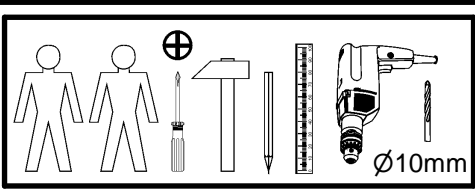
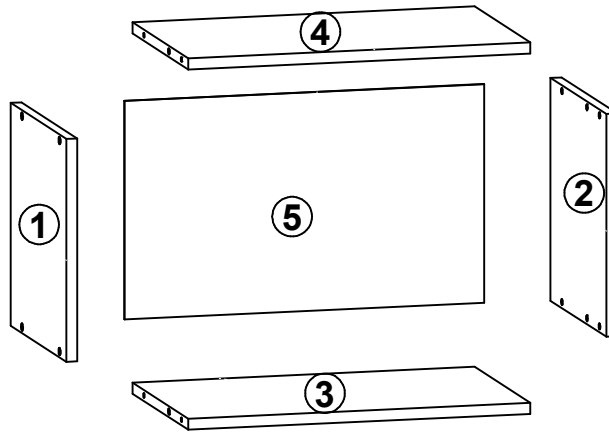
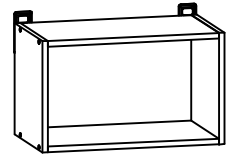
A	B	C	D
1	K22-035	496	296 2/2



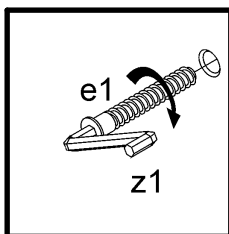
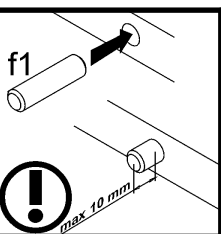
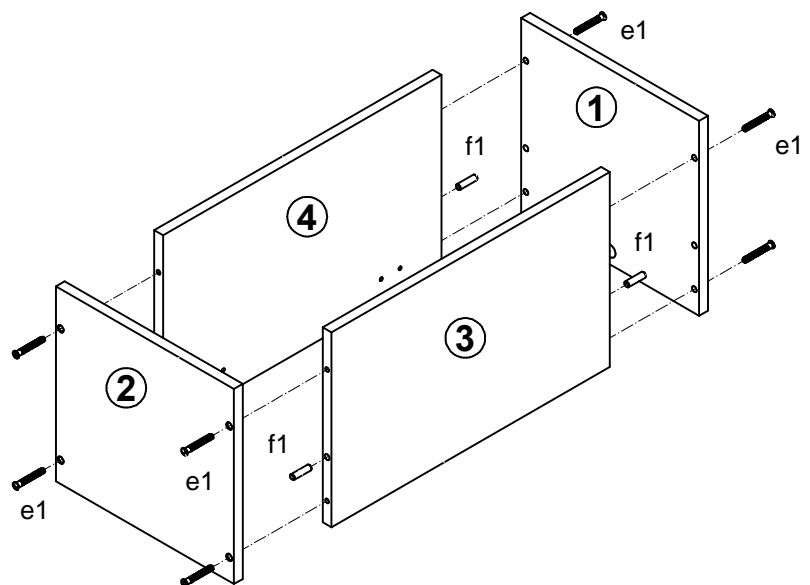
Junona Line

K22-GO/50/30

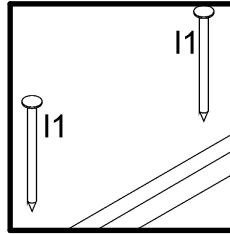
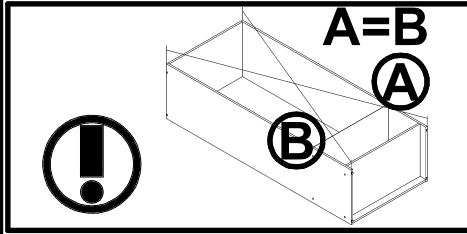
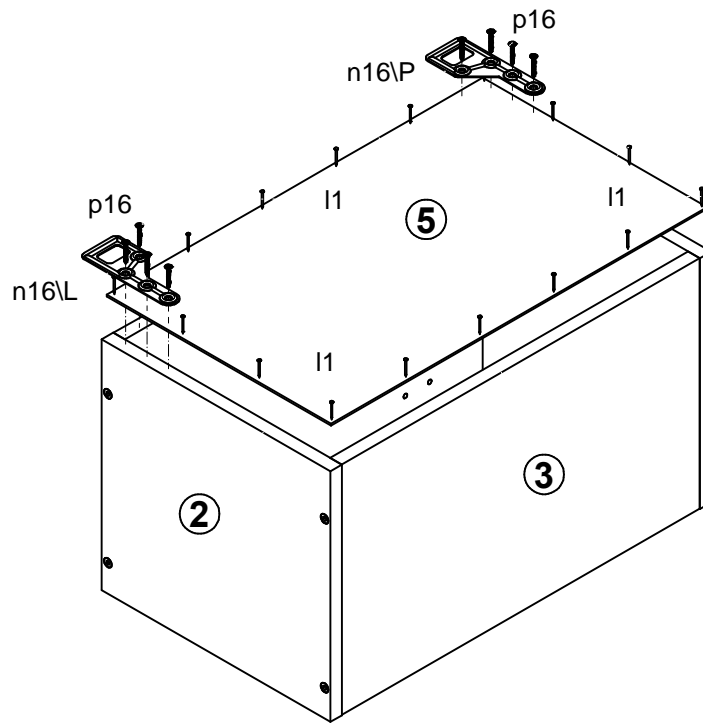
A	B	C	D
1	K22-118	300	285
2	K22-119	300	285
3	K22-334	469	285
4	K22-335	469	285
5	K22-924	493	294



2x 	2x 	1x 	8x 	4x 	2x 	20x 	1x 	1x
1x 	1x 	2x 	8x 	2x 	2x 	1x 	1x 	4x



2 §6



3

