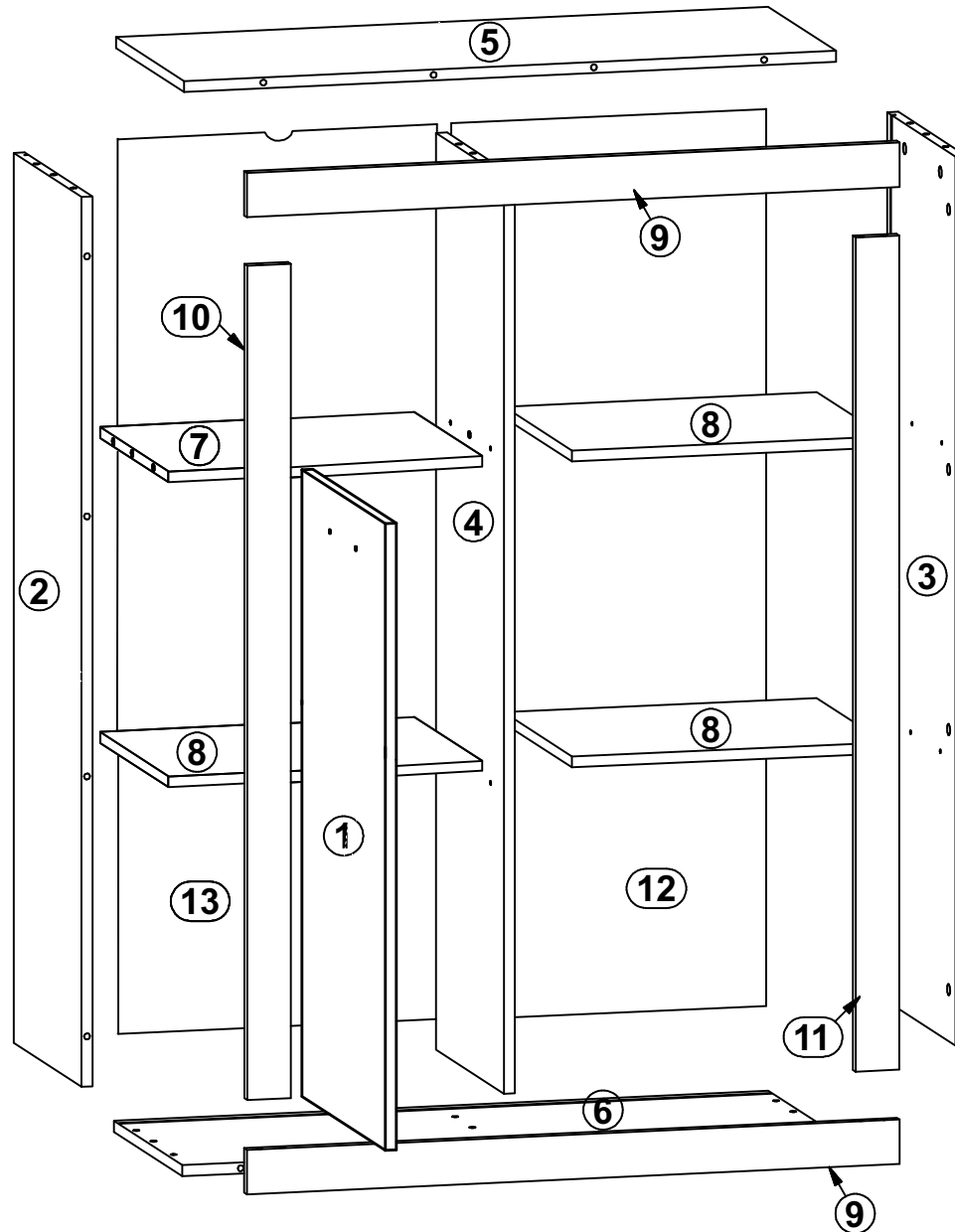
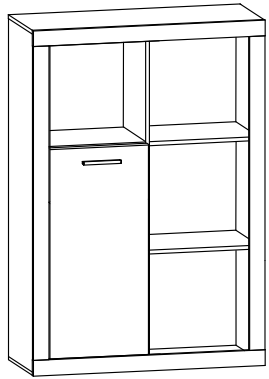
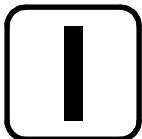


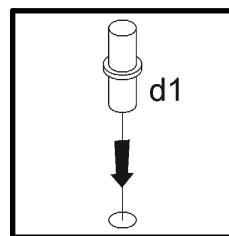
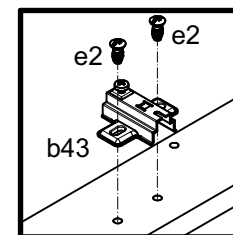
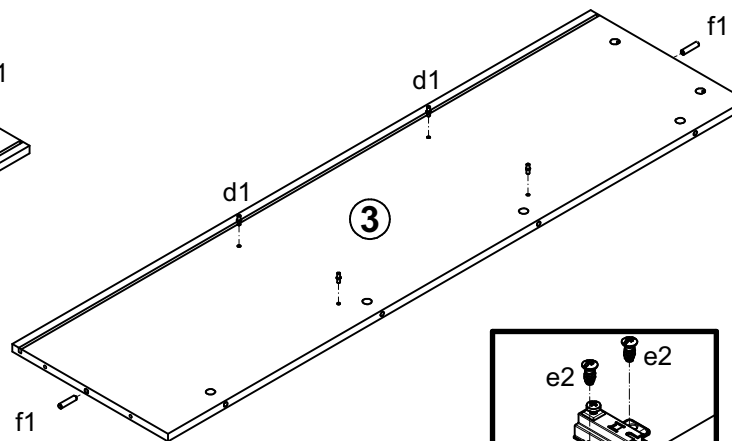
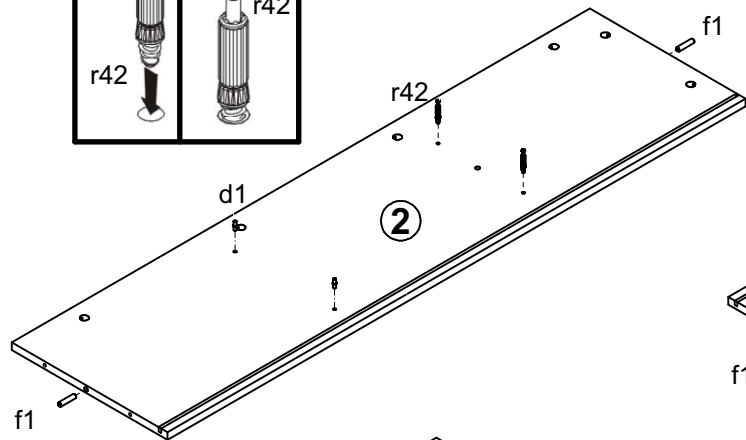
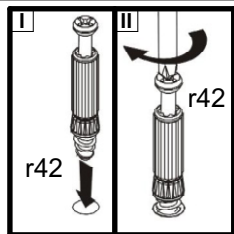
												2x o43/1		1x o43/6	
8x	2x	2x	8x	5x	16x	8x	28x	22x	4x	4x	32x	20x			
a99	a44	b19	b43	c235	d1	d3	e1	e2	e5	e4	f1	f6			
6x	2x	11x	12x	52x	2x	23x	2x	2x	6x	8x	4x	2x			
f35	g2	k43	l1	l2	m3	n108	n122	o1	p1	p9	p21	p59			
20x	23x	4x	85x	85x	4x	26x	2x	1x	2x	2x	4x				
p51	p55	p75	r1	r42	s1	s2	s67	z1	n14	p17	p38				



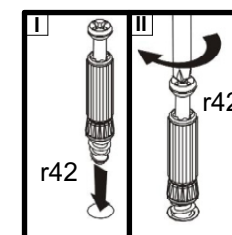
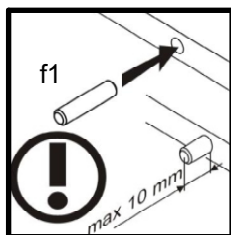
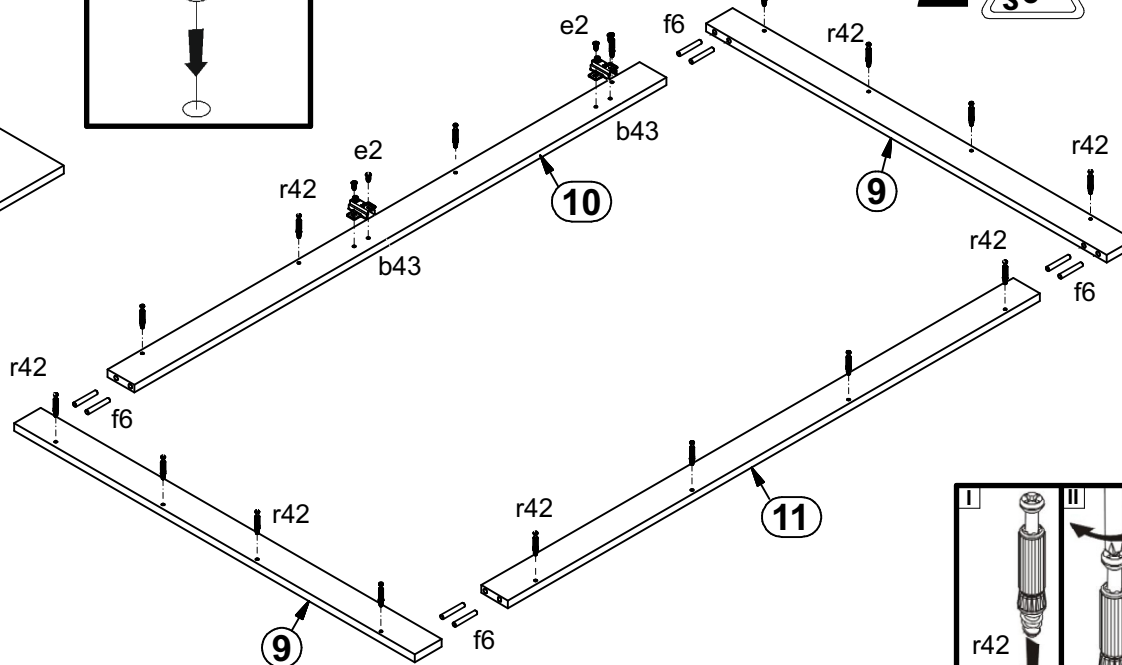
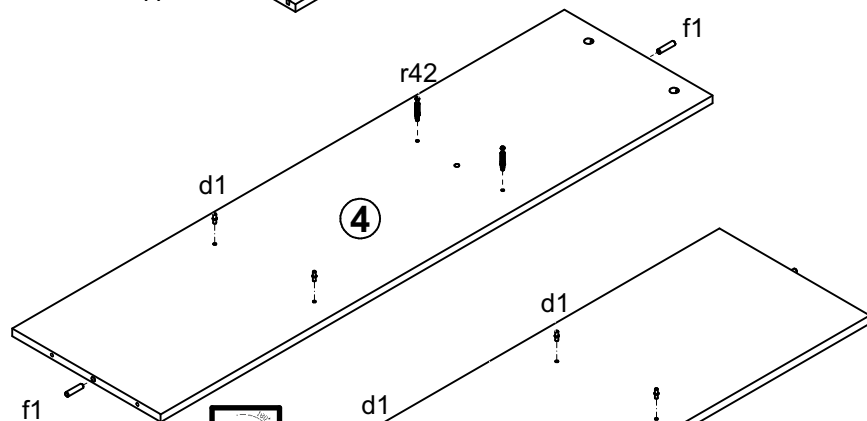
A	B	C (mm)		D
1	N17-003	740	335	3/4
2	N17-105	1160	320	3/4
3	N17-106	1160	320	3/4
4	N17-107	1160	300	3/4
5	N17-203	799	320	3/4
6	N17-204	799	320	3/4
7	N17-303	375	300	3/4
8	N17-304	375	300	3/4
9	N17-504	800	60	3/4
10	N17-505	1073	60	3/4
11	N17-506	1073	60	3/4
12	N17-902	1170	387	3/4
13	N17-903	1170	387	3/4



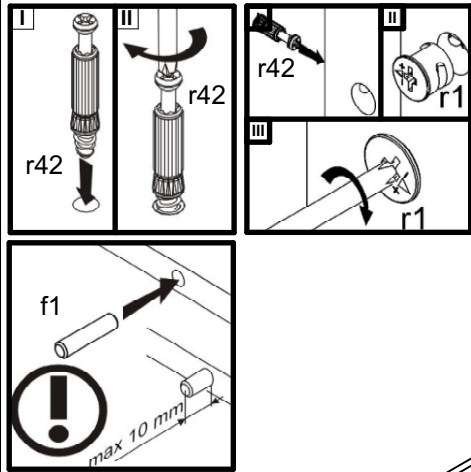
1 



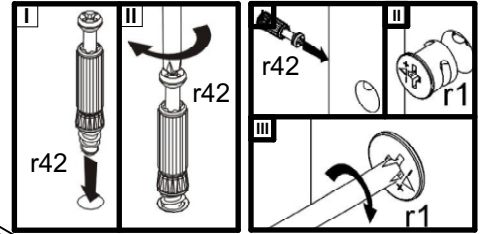
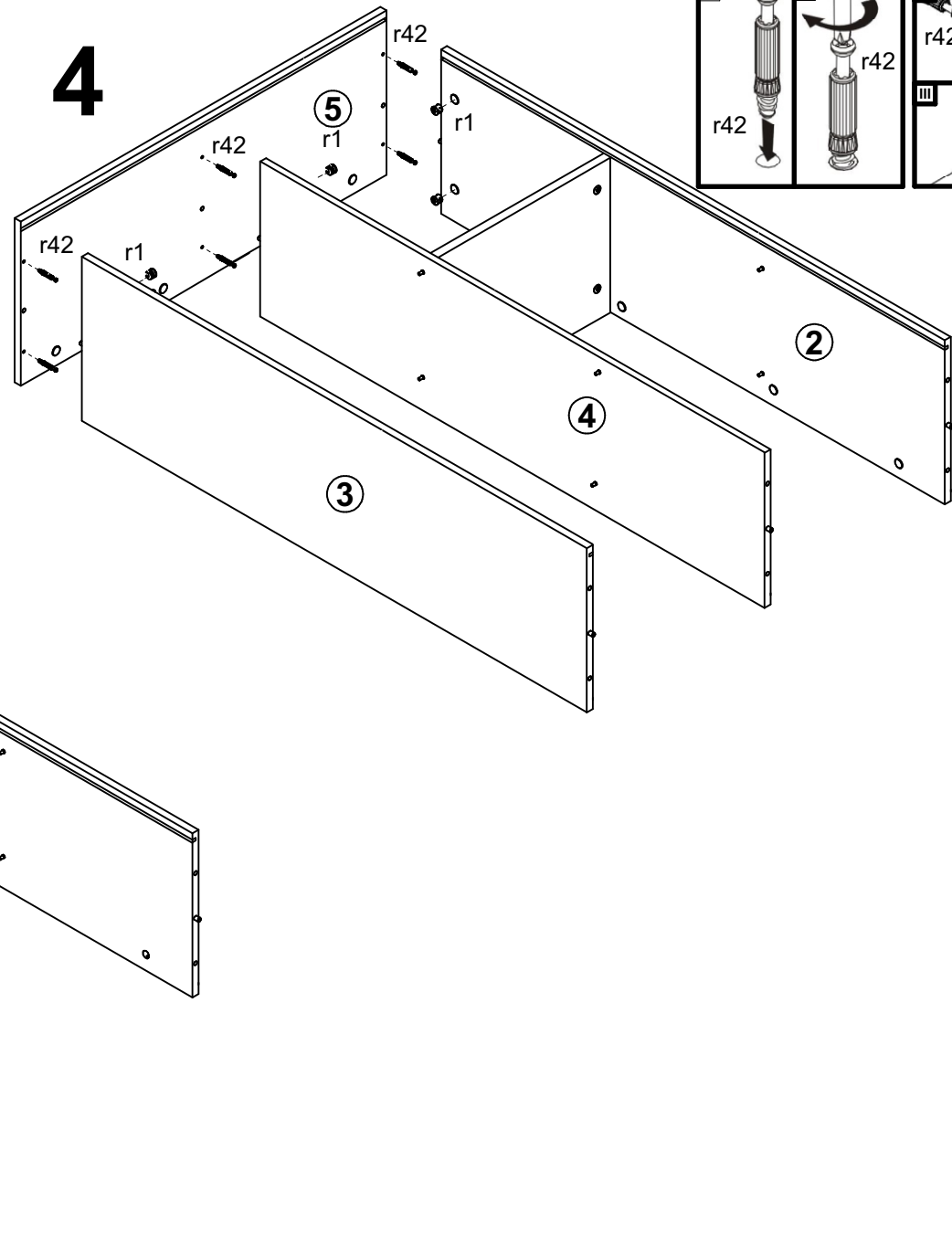
2 

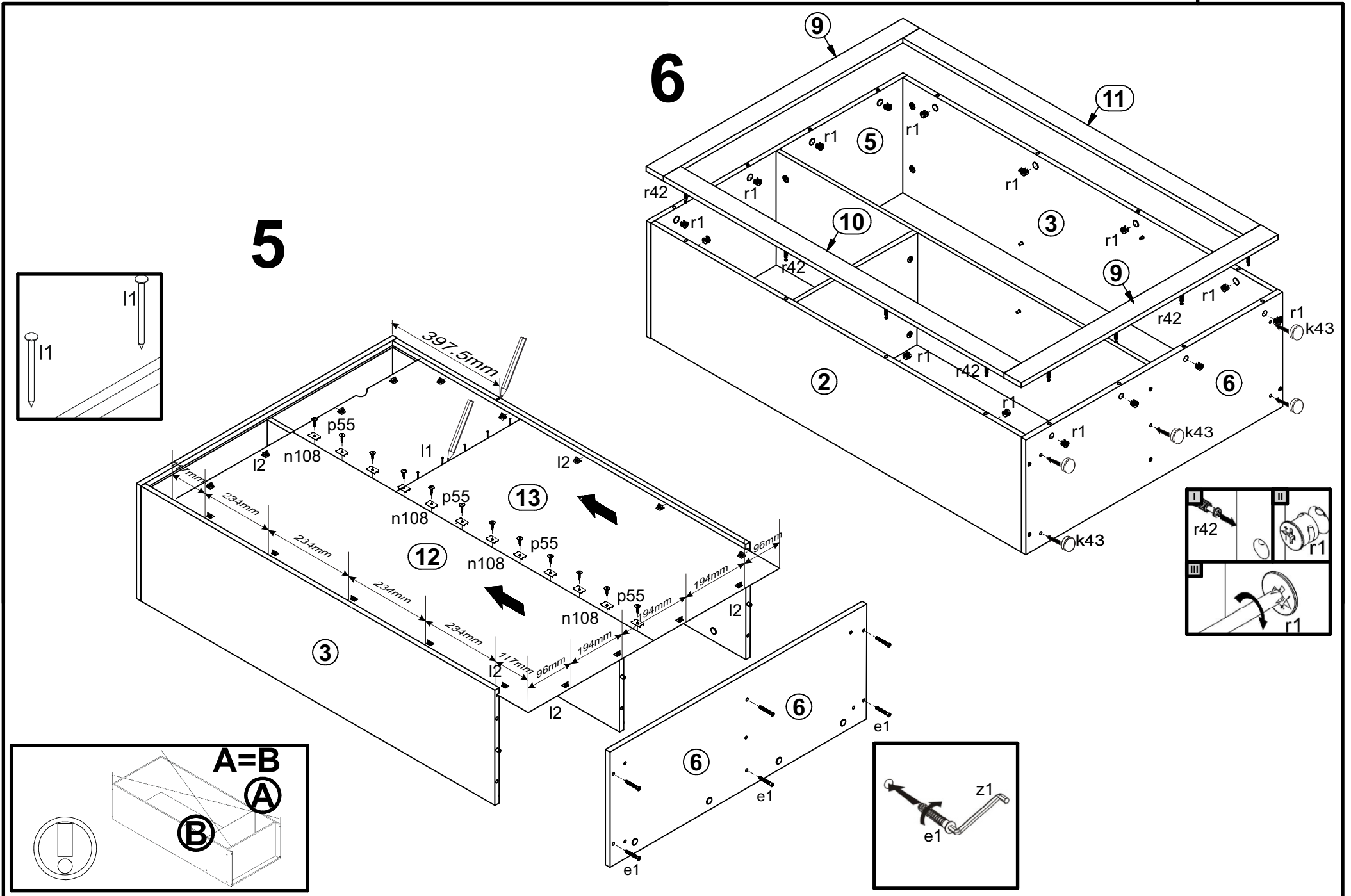


3

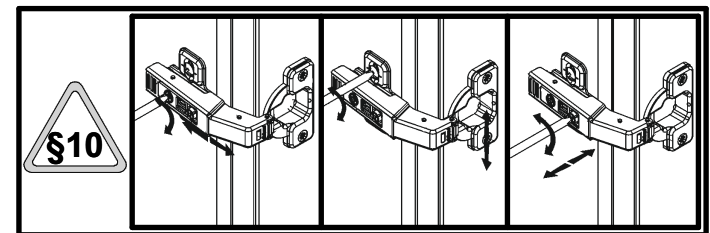
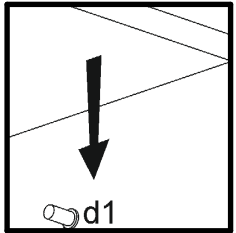
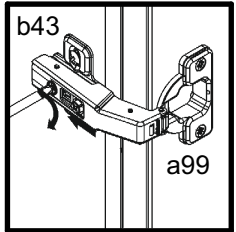
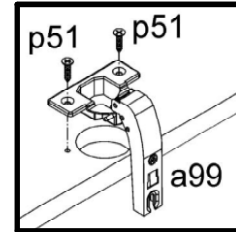
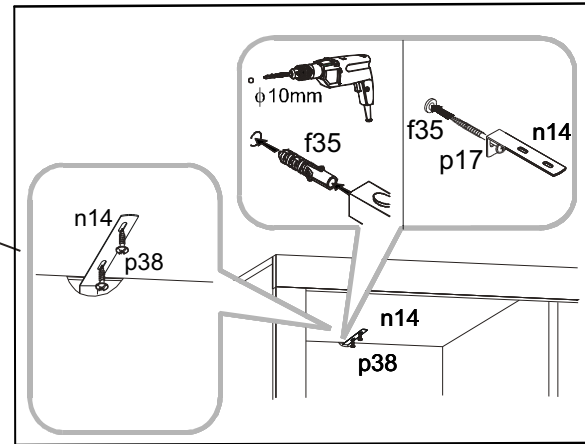
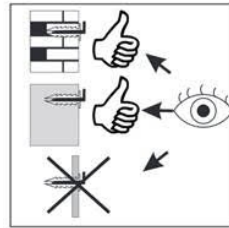
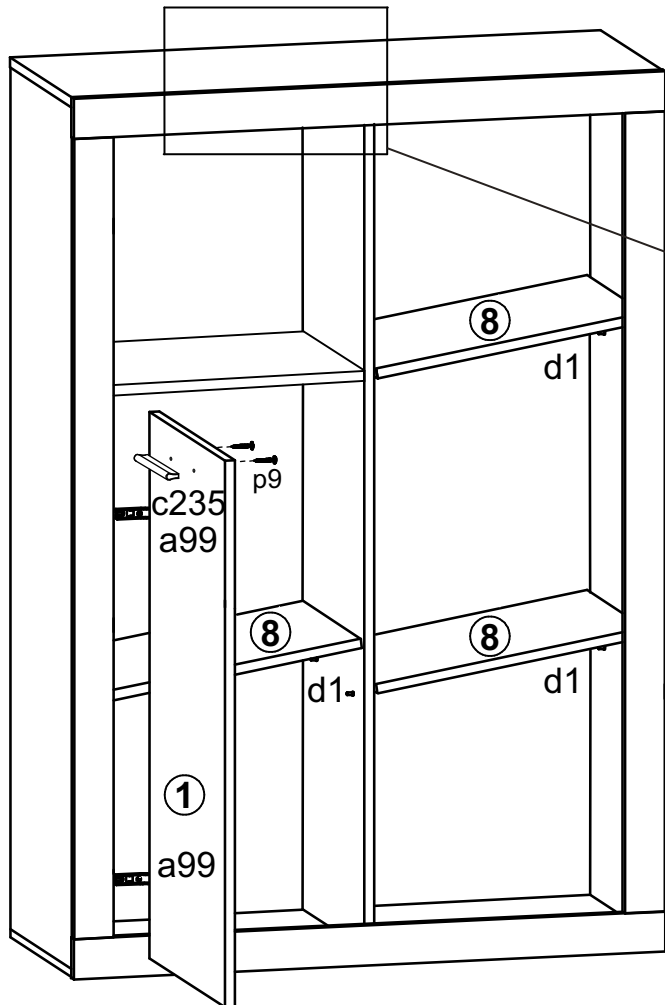


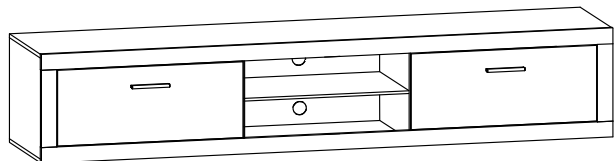
4



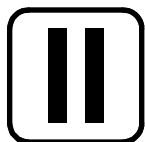
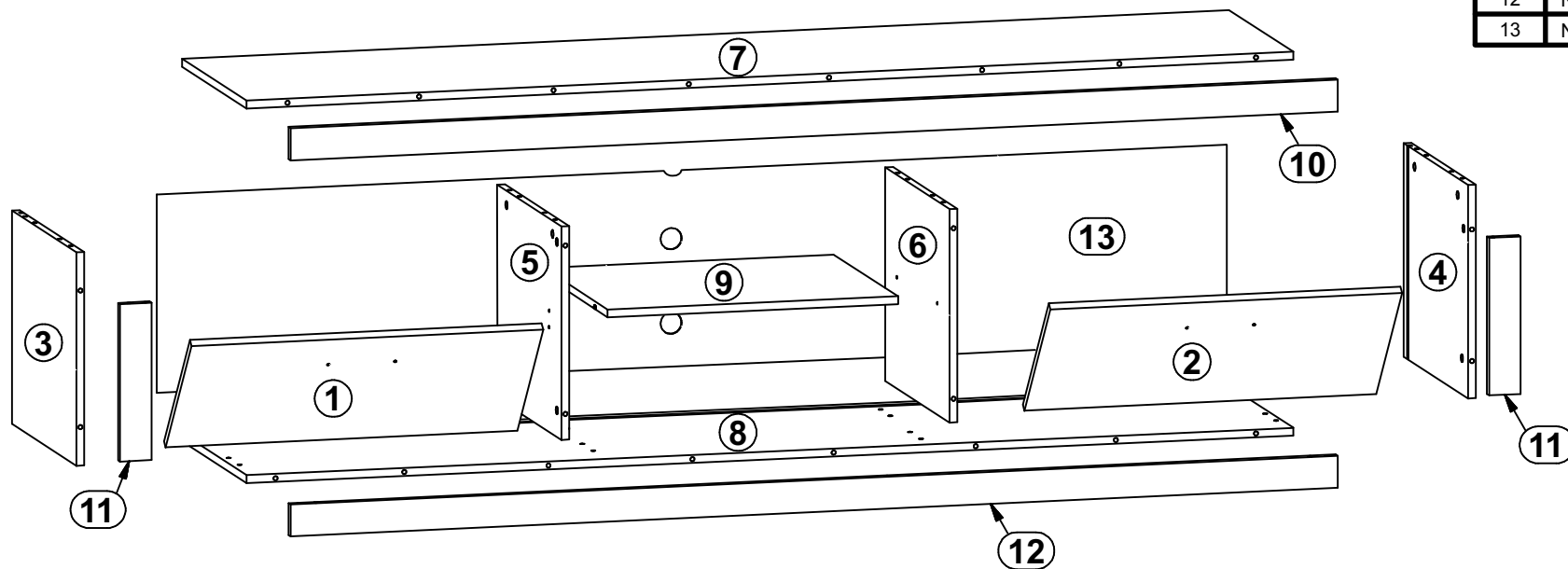


7

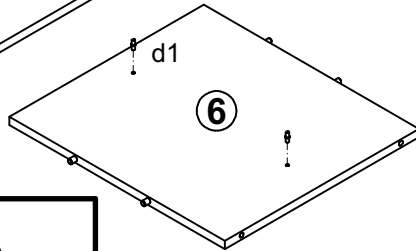
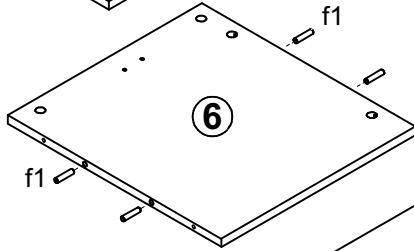
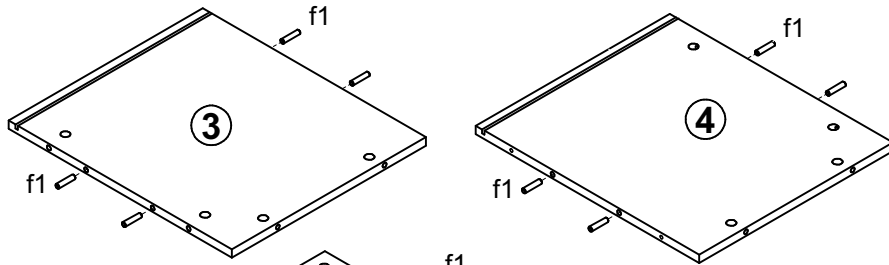




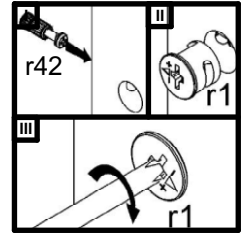
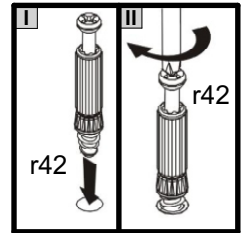
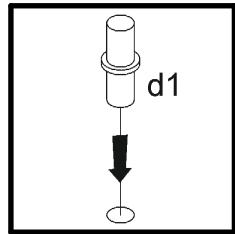
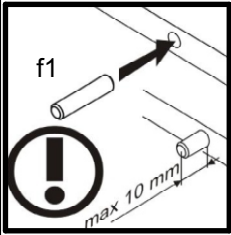
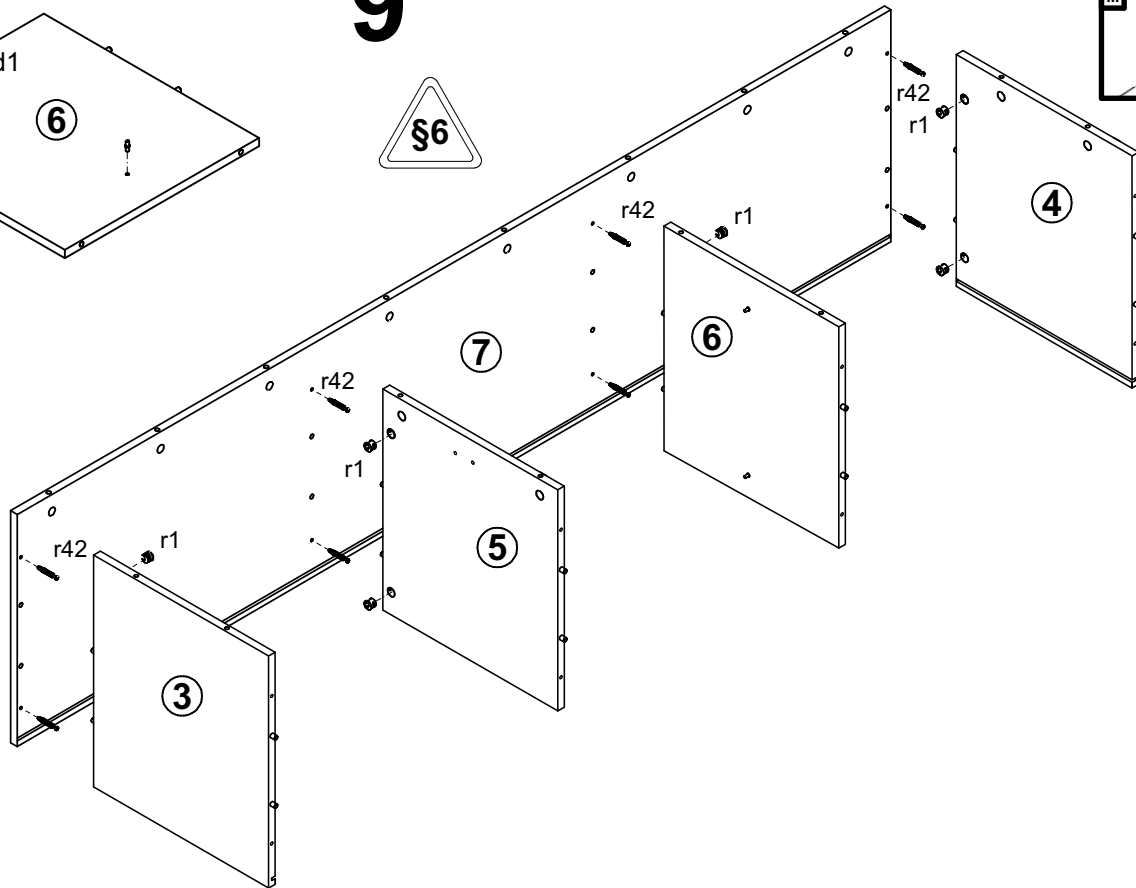
A	B	C (mm)		D
1	N17-001	600	267	1/4
2	N17-002	600	267	1/4
3	N17-101	360	380	2/4
4	N17-102	360	380	2/4
5	N17-103	360	360	2/4
6	N17-104	360	360	2/4
7	N17-201	1899	380	1/4
8	N17-202	1899	380	1/4
9	N17-302	558	360	1/4
10	N17-501	1900	60	1/4
11	N17-502	273	60	1/4
12	N17-503	1900	60	1/4
13	N17-901	1876	370	1/4



8

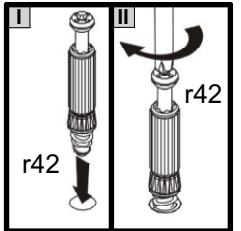
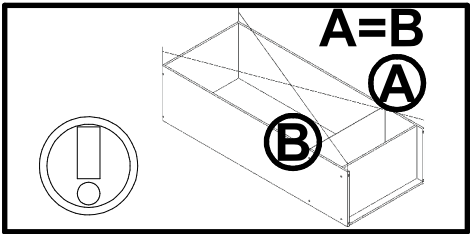
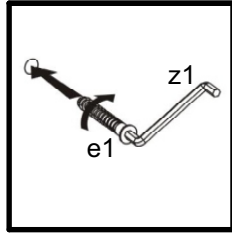
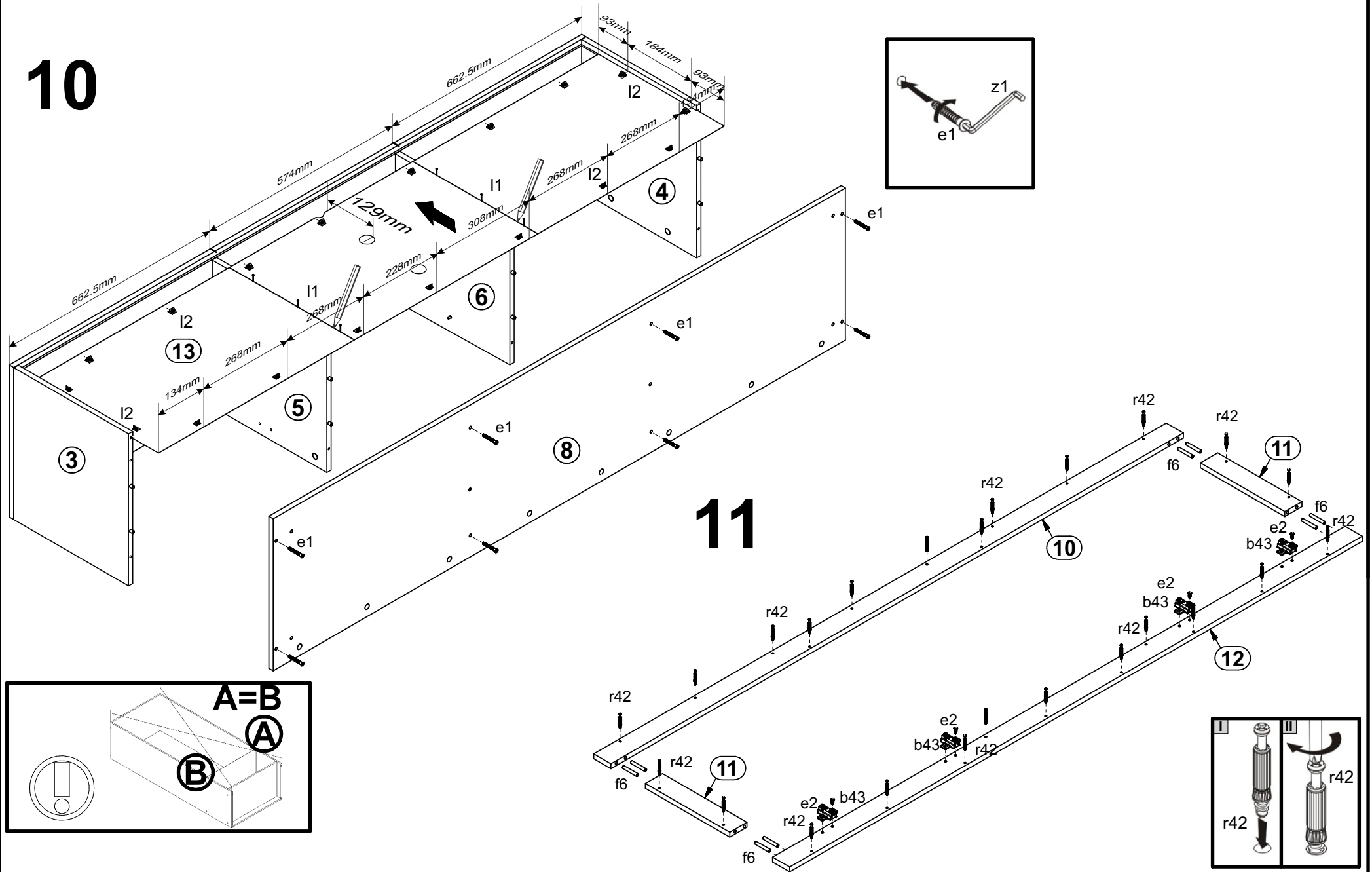


9

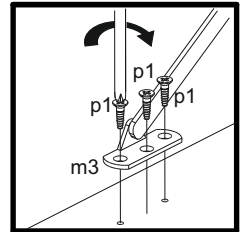
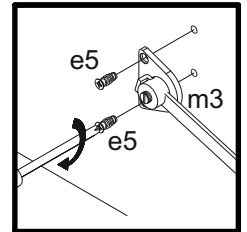
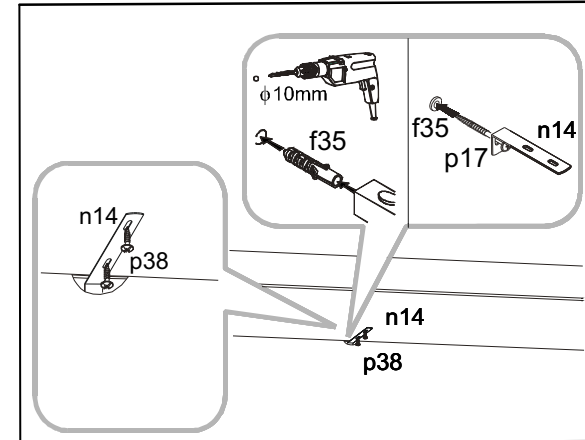
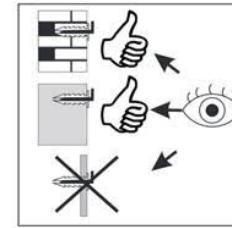
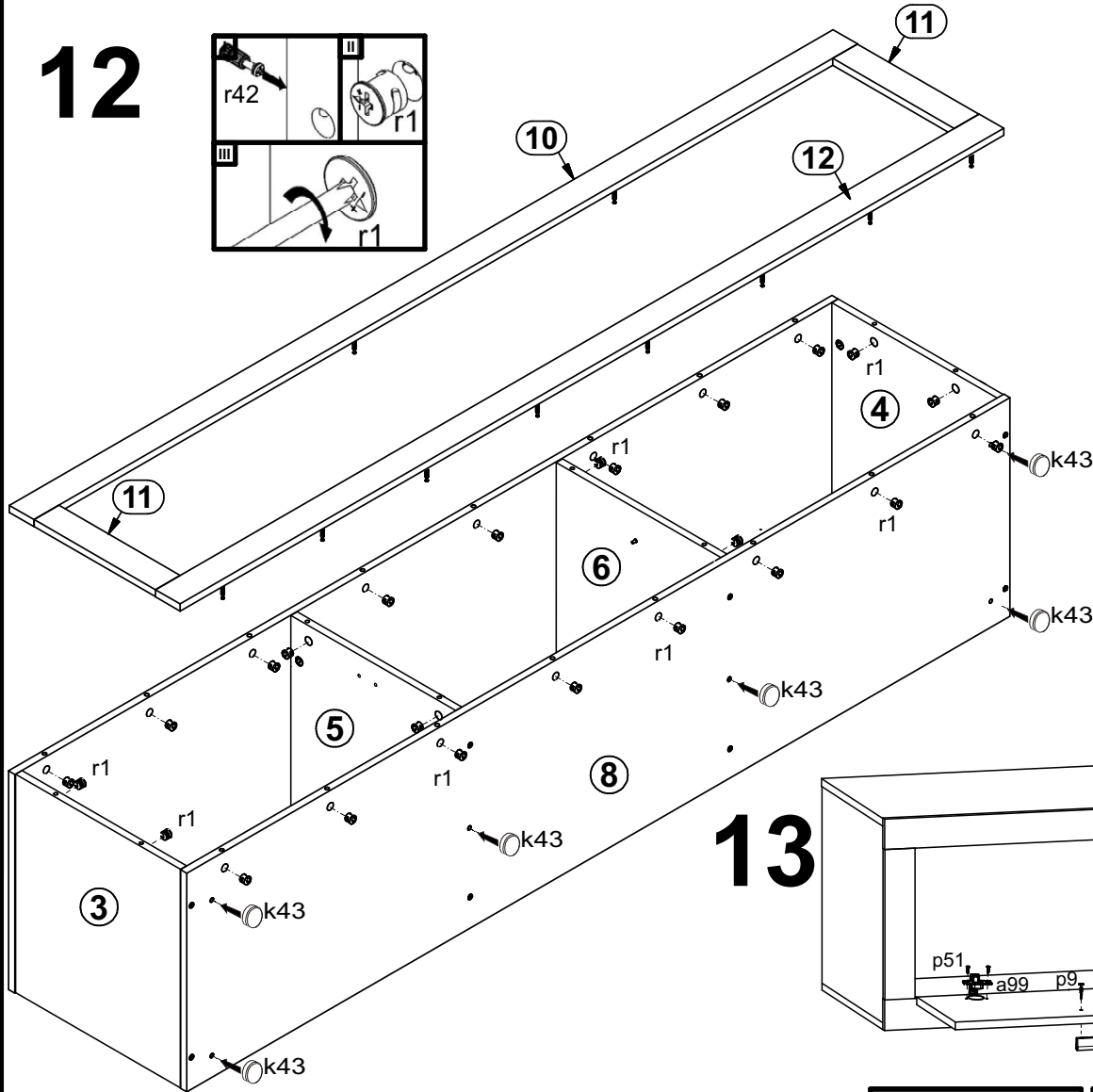
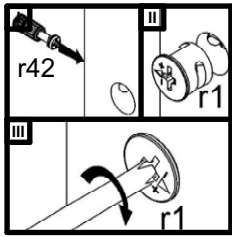




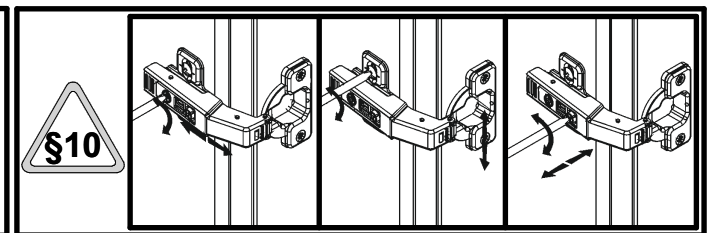
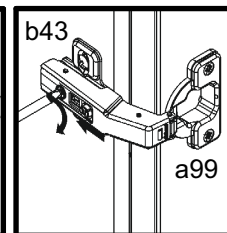
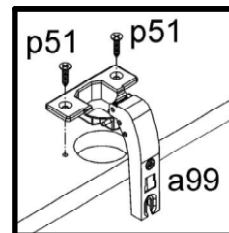
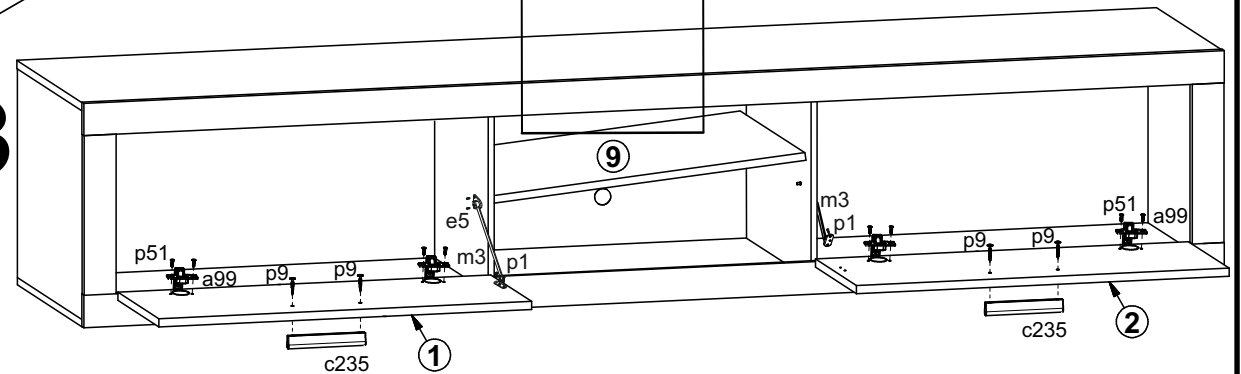
10

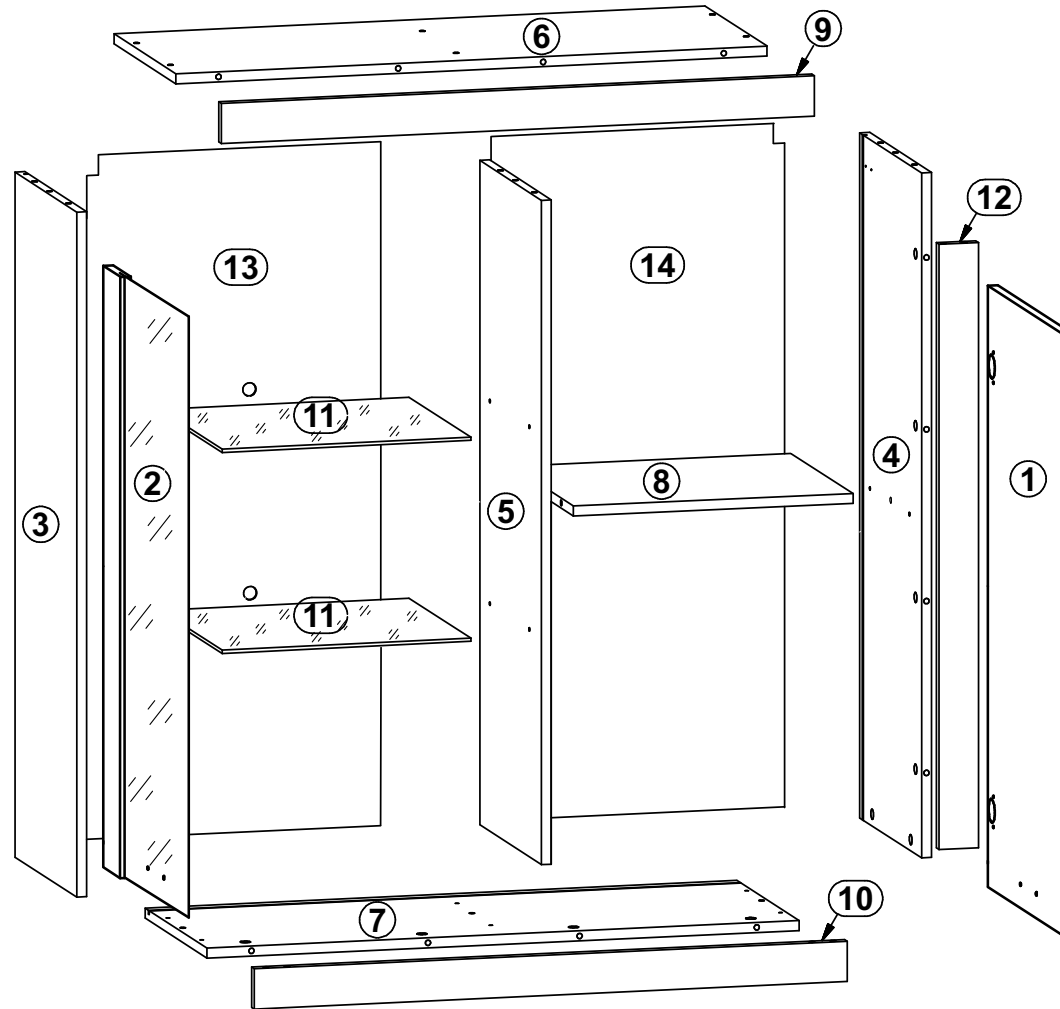
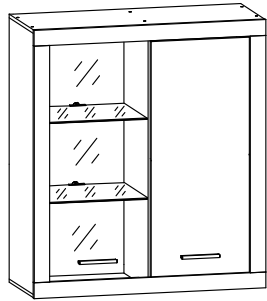


12

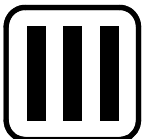


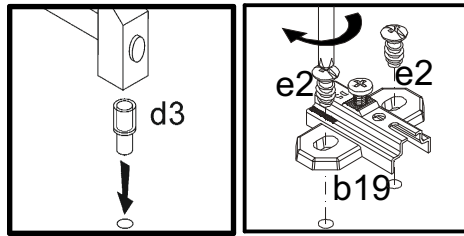
13



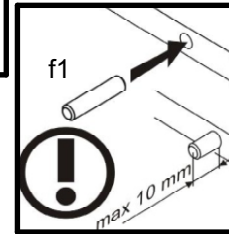
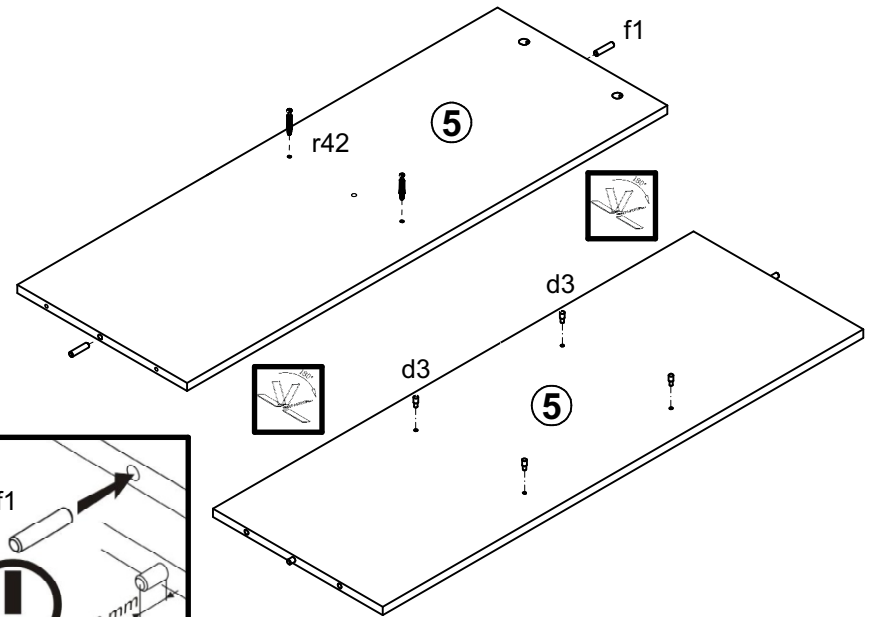
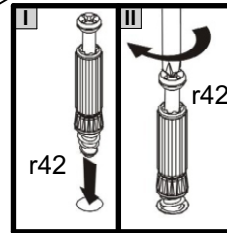
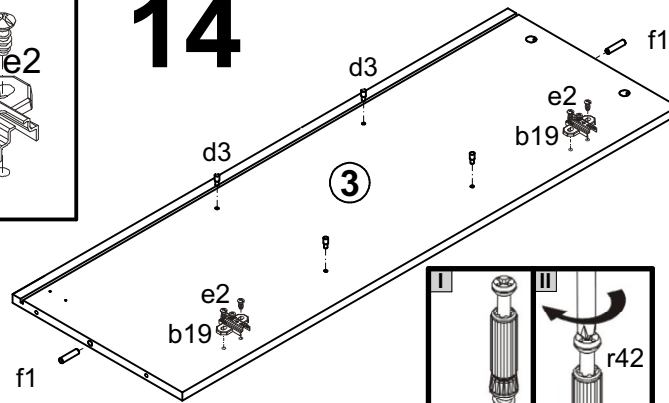


A	B	C (mm)		D
1	N17-004	875	335	4/4
2	N17-005	875	335	4/4
3	N17-108	968	284	4/4
4	N17-109	968	284	4/4
5	N17-110	968	264	4/4
6	N17-205	799	284	4/4
7	N17-206	799	284	4/4
8	N17-307	375	264	4/4
9	N17-511	800	60	4/4
10	N17-512	800	60	4/4
11	N17-514A	374	256	4/4
12	N17-516	881	60	4/4
13	N17-904	978	387	4/4
14	N17-906	978	387	4/4

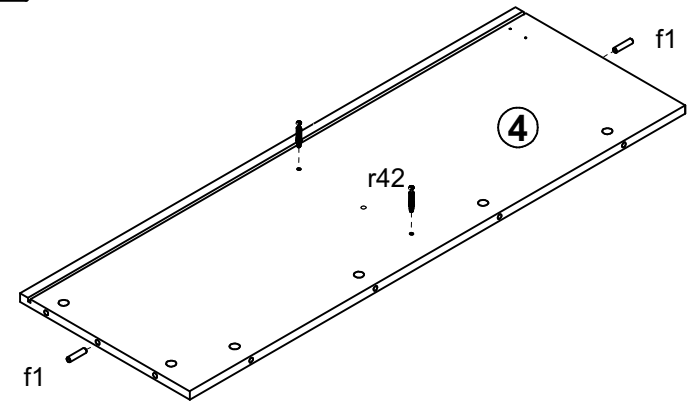
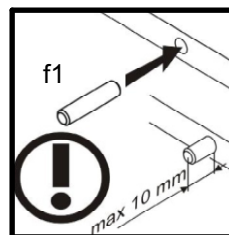
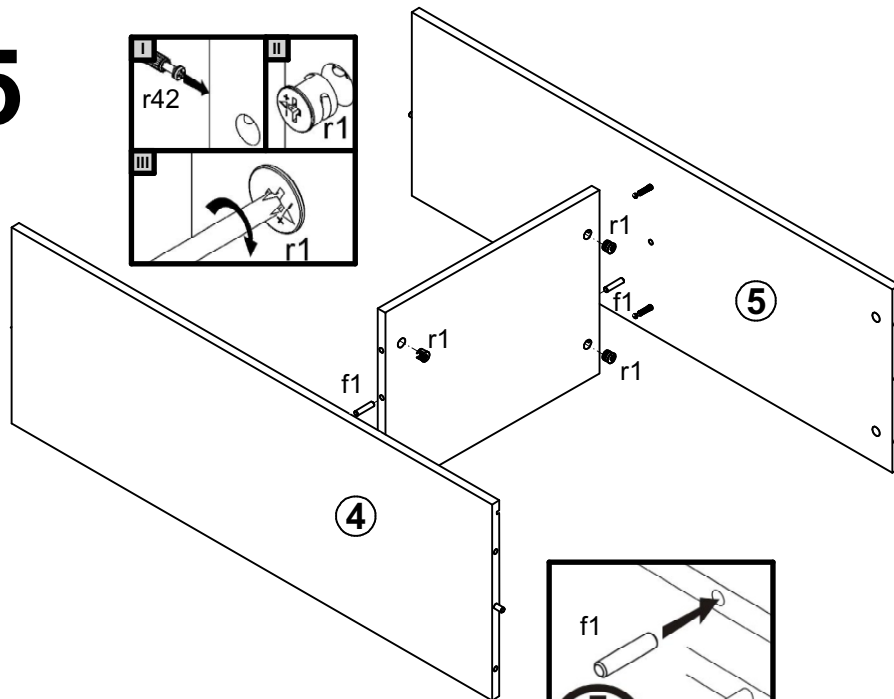
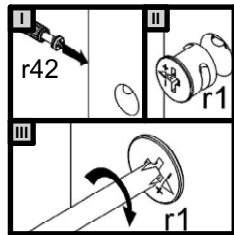




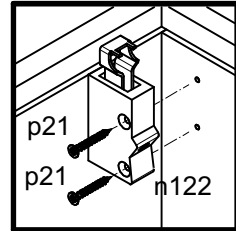
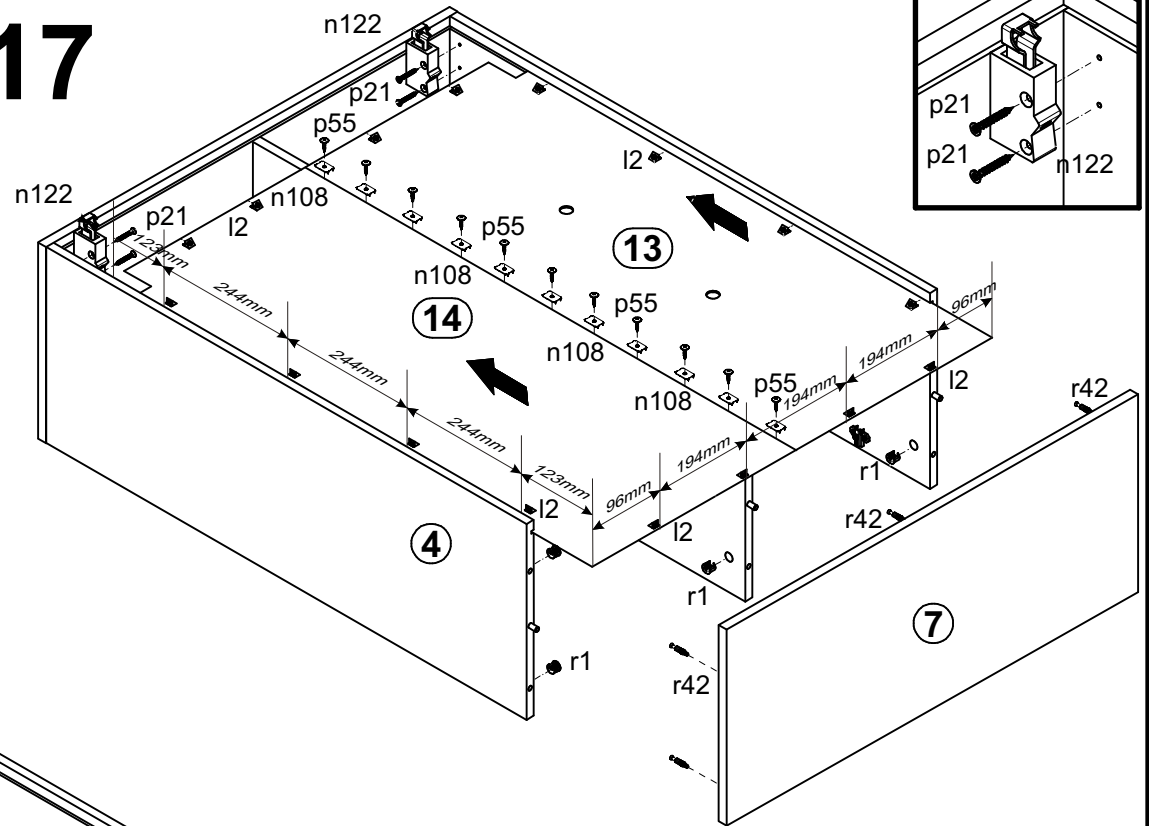
14



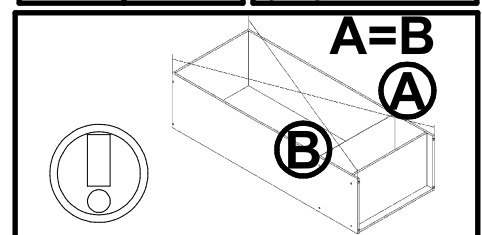
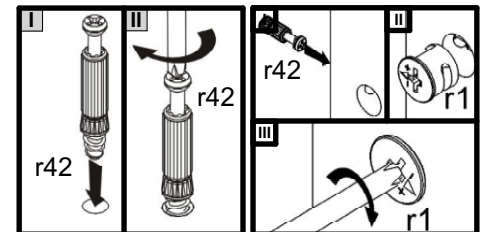
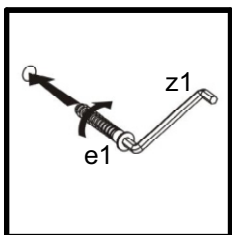
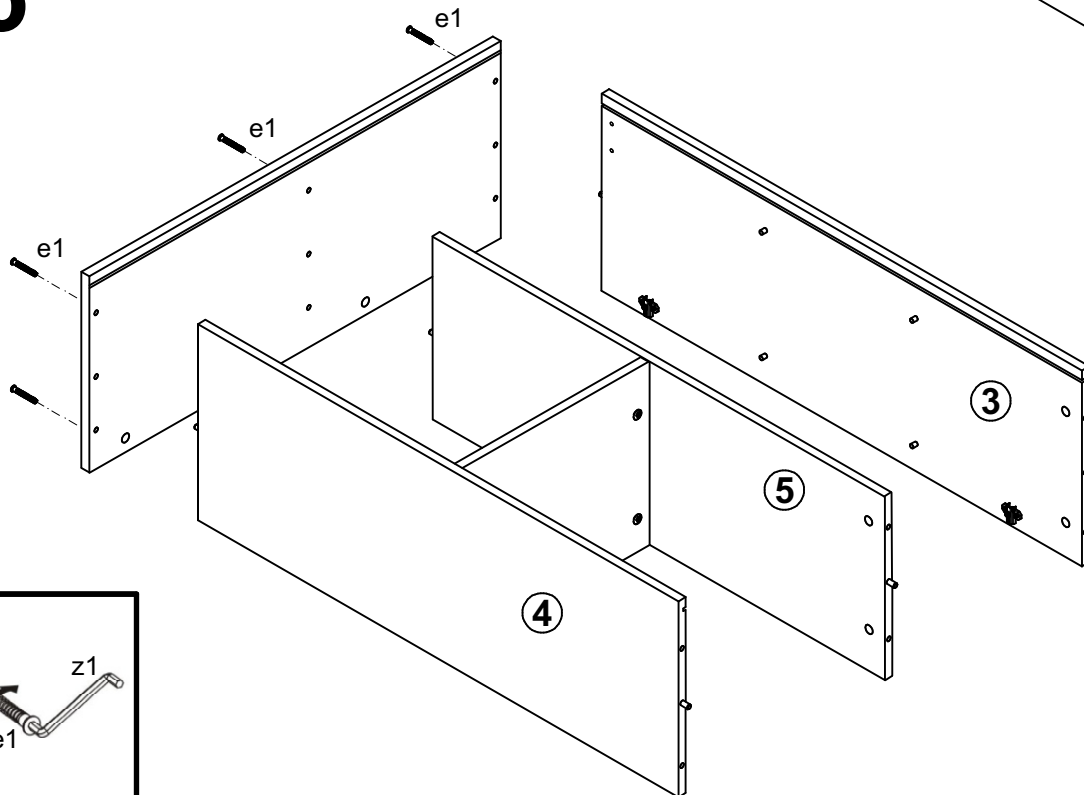
15

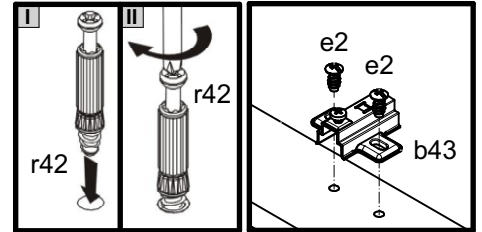


17

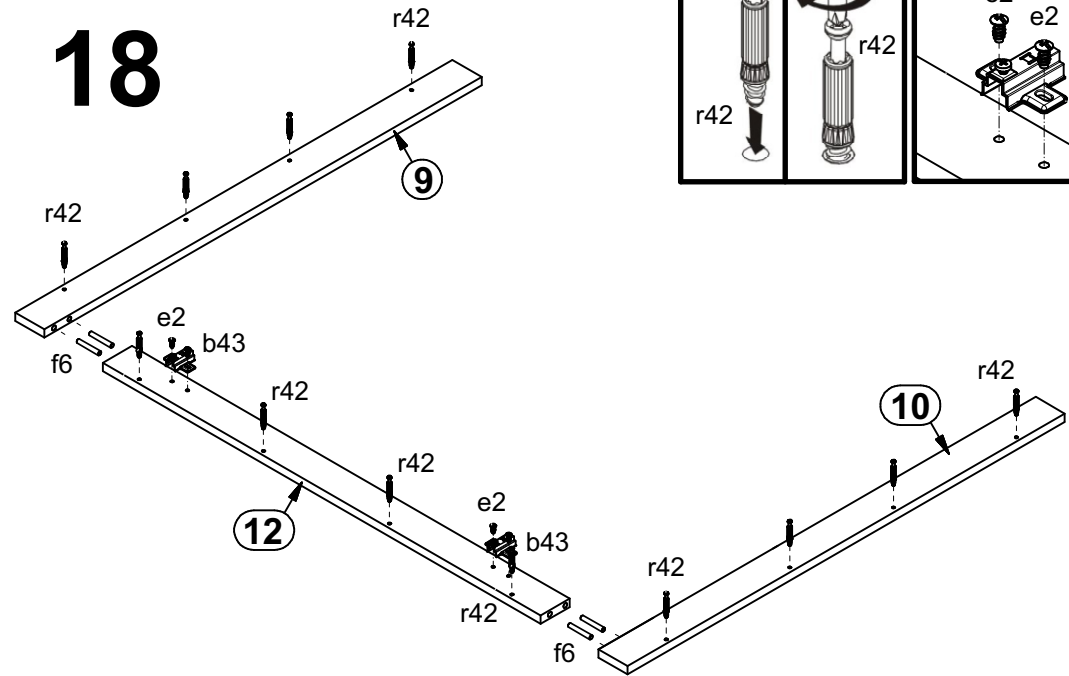


16

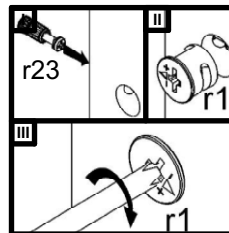
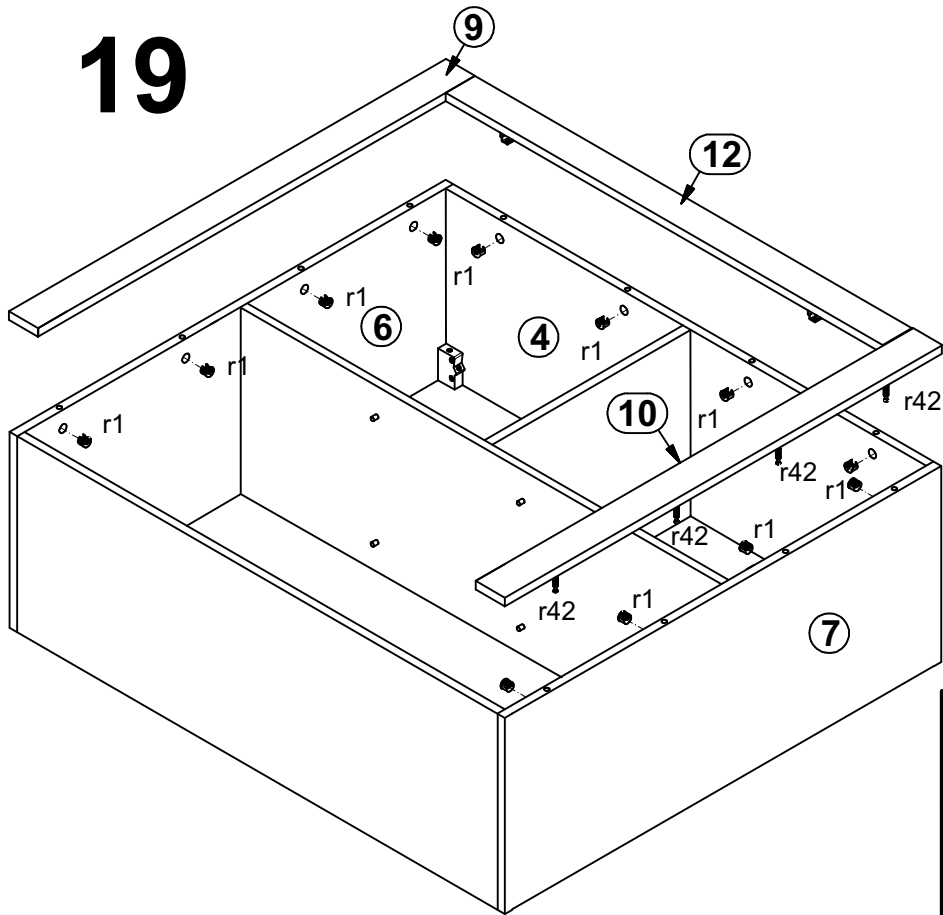




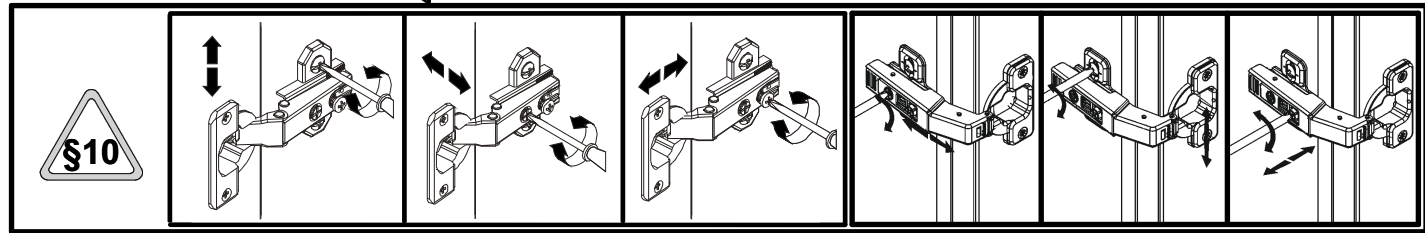
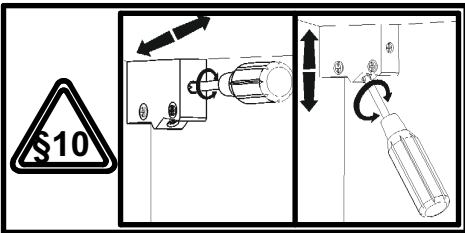
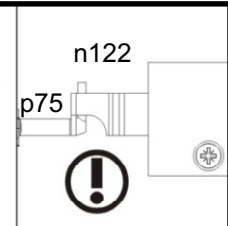
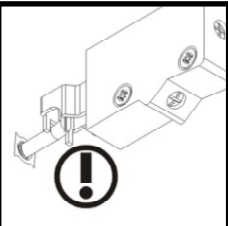
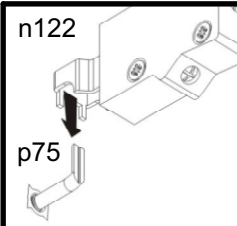
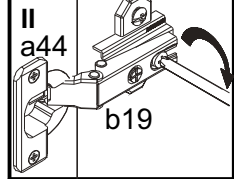
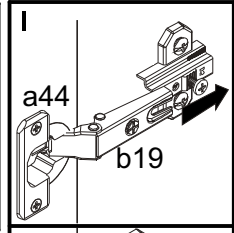
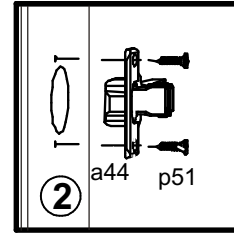
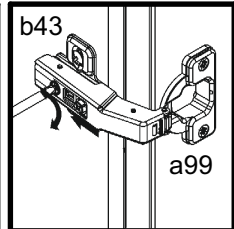
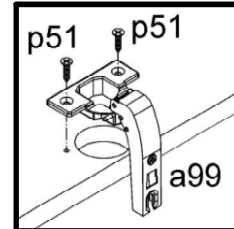
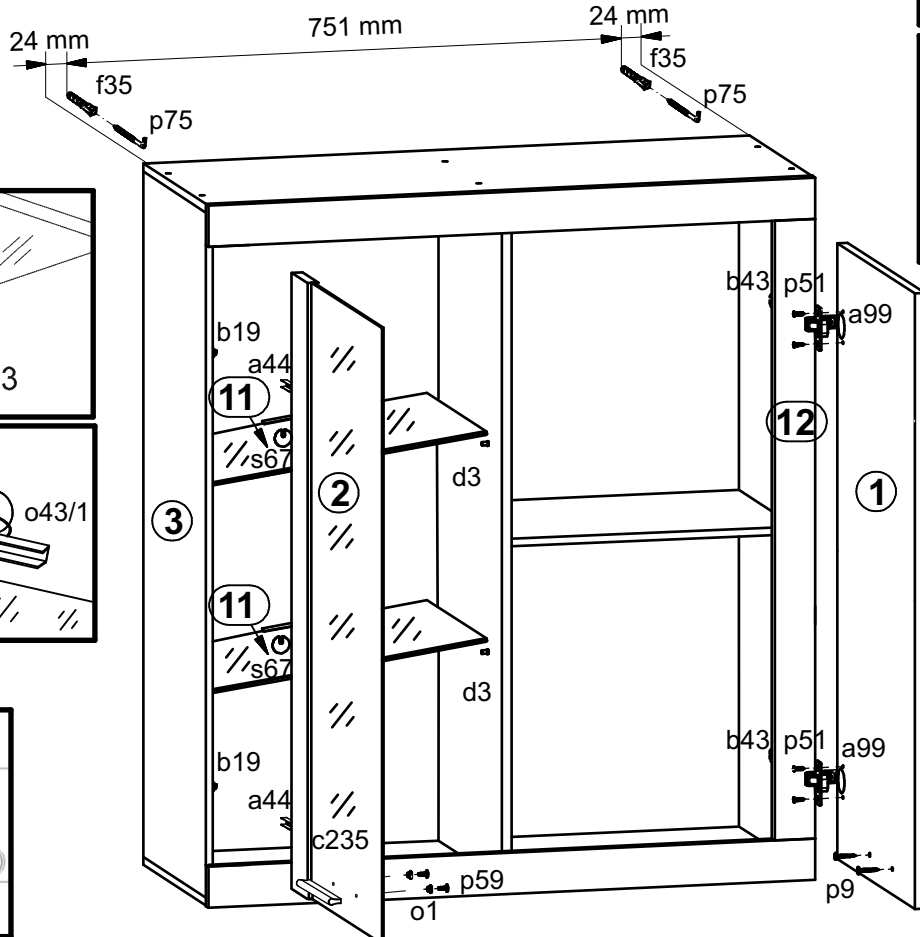
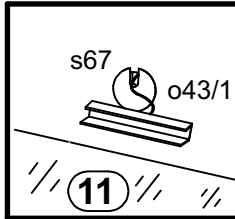
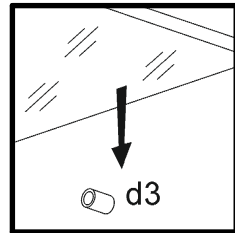
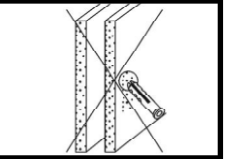
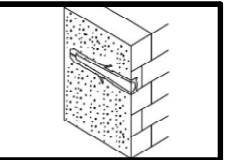
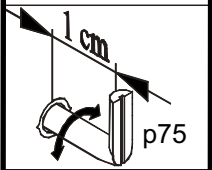
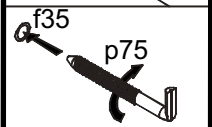
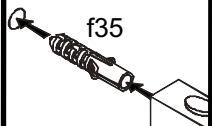
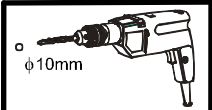
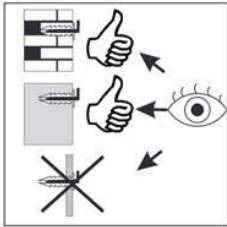
18

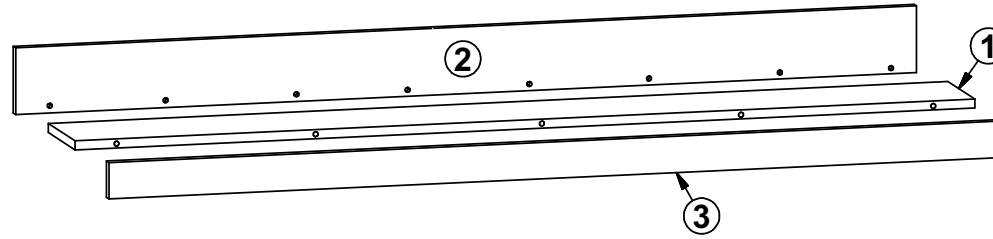


19



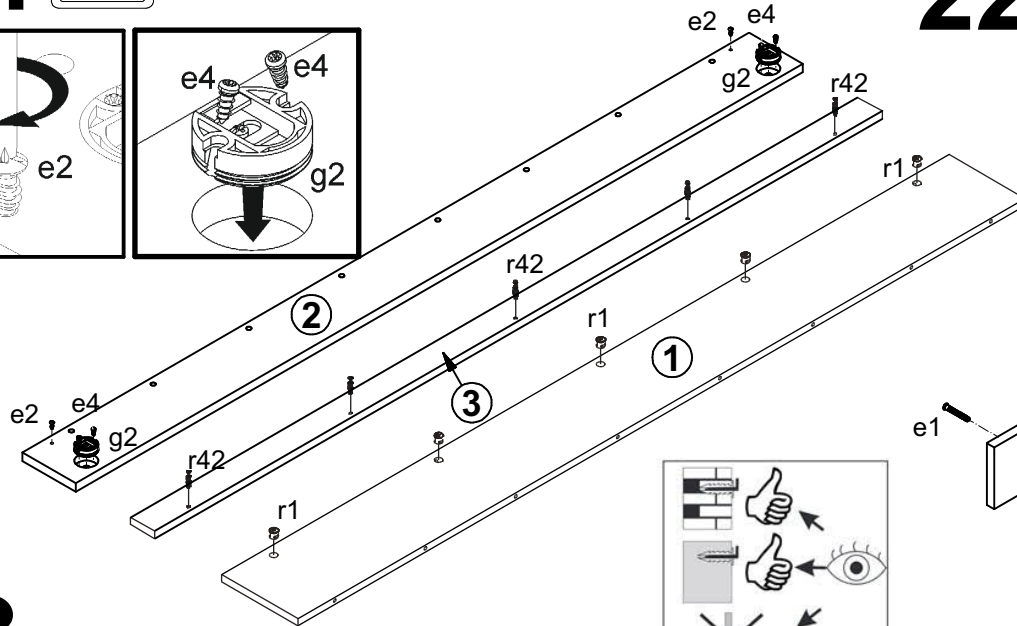
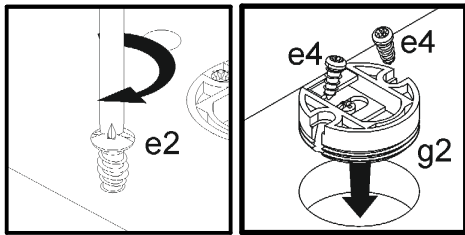
# 20



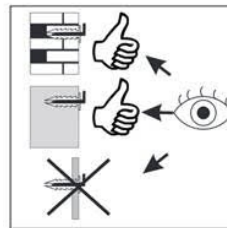
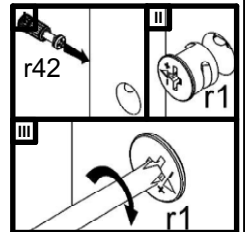
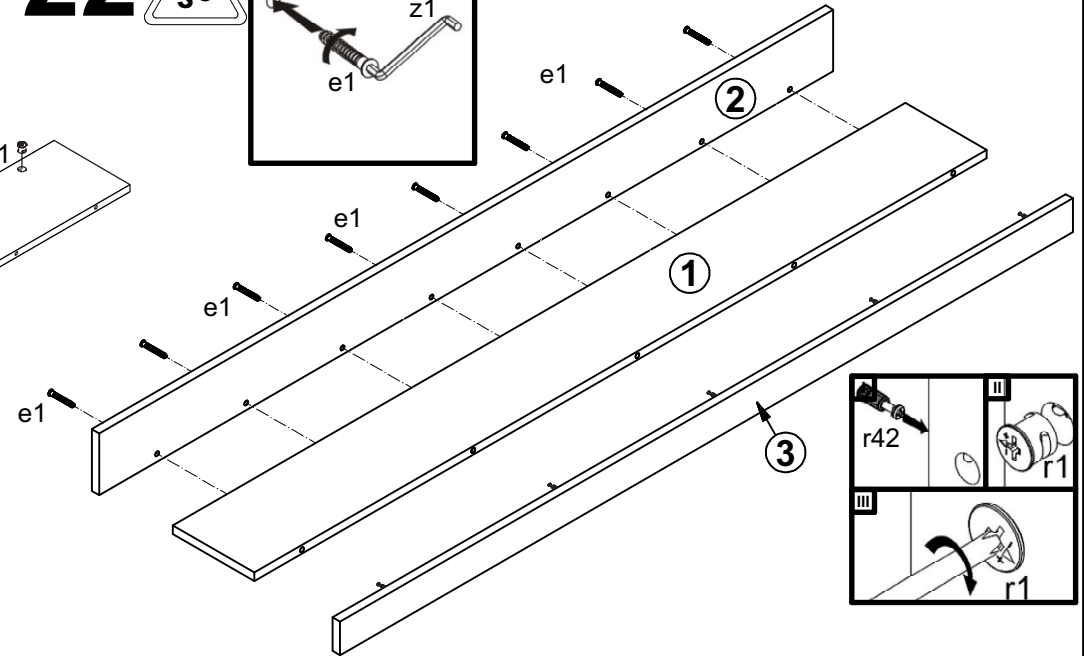
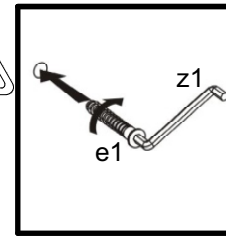


A	B	C (mm)		D
1	N17-306	1500	158	2/4
2	N17-509	1500	108	2/4
3	N17-510	1500	60	2/4

# 21



# 22



# 23

